

PRODUCT INFORMATION PACKET



Model No: DB6502V1

Catalog No: DB6502V1

Fan Coil & Air Conditioner Motor, 1/10,1/15,1/20,1/25 HP, 1 Ph, 60 Hz, 208-230 V, 1075 RPM,
4 Speed, 42 Frame, OPEN



Regal and Century are trademarks of Regal Rexnord Corporation or one of its affiliated companies.
©2022 Regal Rexnord Corporation, All Rights Reserved. MC017097E





Nameplate Specifications

Output HP	1/10,1/15,1/20,1/25 Hp	Output KW	0.07 kW
Frequency	60 Hz	Voltage	208-230 V
Current	0.7,0.5,0.4,0.3 A	Speed	1075 rpm
Service Factor	1	Phase	1
Duty	Air Over	Insulation Class	B
Frame	42Y	Enclosure	Open Enclosed
Thermal Protection	Automatic	Ambient Temperature	40 °C
UL	Recognized	CSA	Y
CE	N	Number of Speeds	4

Technical Specifications

Electrical Type	Permanent Split Capacitor	Starting Method	Across The Line
Poles	6	Rotation	Counterclockwise Lead End
Mounting	Resilient Base	Motor Orientation	Horizontal
Drive End Bearing	Sleeve	Opp Drive End Bearing	Sleeve
Frame Material	Na	Shaft Type	Flat
Overall Length	22.00 in	Shaft Diameter	0.500 in
Shaft Extension	9.3X.5X9.3 in		
Outline Drawing	11840-042-S01	Connection Drawing	625976

This is an uncontrolled document once printed or downloaded and is subject to change without notice. Date Created:11/28/2022

4 3 2 1

REV	ECO	REV BY	DATE	APPD	DATE
E	0025542	O. CARVAJAL	04-25-2012	D. BALDERRAMA	04-25-2012

GENERAL INFORMATION:

SHAFT RUNOUT: .001 [.03] T.I.R. PER INCH LENGTH OF EXTENSION

END PLAY: .010[.25] TO .063[1.60]

BEARINGS: SLEEVE

MOUNTING POSITION: HORIZONTAL

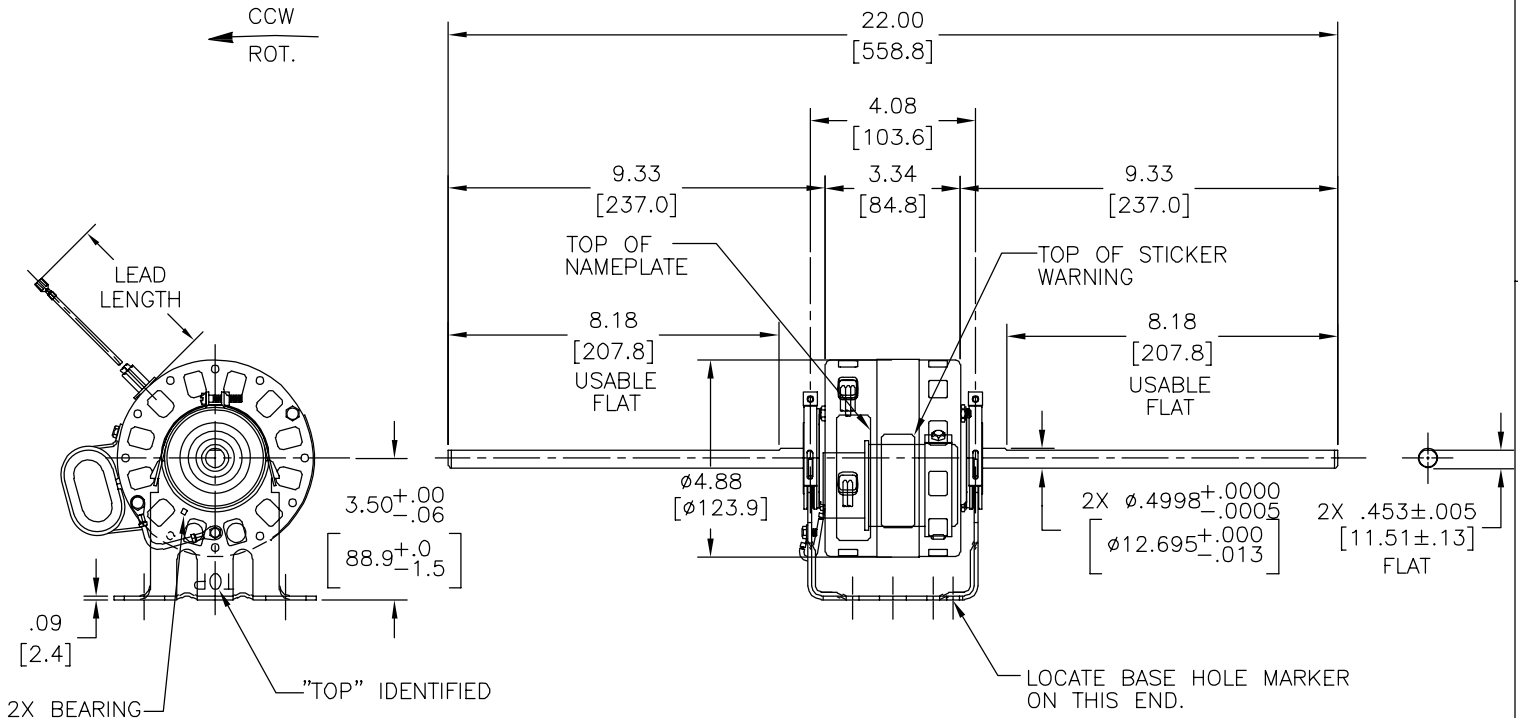
ELECTRICAL DATA:

OVERLOAD PROTECTOR: AUTOMATIC RESET (T.I. 7AM 034)

LEADS: NO. 18 GA., .06 [1.5] THK., 125°C INSUL.

GROUND LEAD: NO. 18 GA., .03 [.8] THK. GREEN INSUL.

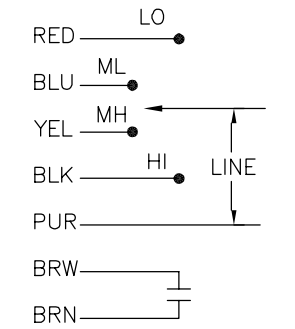
SEE NOTE 1



NAMEPLATE DATA:

EXTERNAL CONNECTION DIAGRAM

MODEL NO.: F42F30A01
 CUST. P/N: []
 HP: 1/10,1/15,1/20,1/25
 ROT.: CCWLE
 RPM: 1075/4 SPD
 TYPE: FLL
 FRAME: 42Y
 VOLTS: 208-230
 PH: 1
 AMPS: 0.7,0.5,0.4,0.3
 HZ: 60
 INS.: A
 AMB.: 40°C
 DUTY: AIR OVER
 CAP.: 5MFD/370 V
 ENCL: -
 UL LOGO
 CSA LOGO
 THERMALLY PROTECTED



GREEN (GRD)	CONNECTED TO BASE	#8 EYELET
BROWN	CONNECTED TO CAP	.25[6.4] FLAG
BROWN/WHITE	CONNECTED TO CAP	.25[6.4] FLAG
RED	38.5/41.5 [978/1054]	.25[6.4] FEMALE SPADE
BLUE	38.5/41.5 [978/1054]	.25[6.4] FEMALE SPADE
YELLOW	38.5/41.5 [978/1054]	.25[6.4] FEMALE SPADE
BLACK	38.5/41.5 [978/1054]	.25[6.4] FEMALE SPADE
PURPLE	38.5/41.5 [978/1054]	.25[6.4] FEMALE SPADE
COLOR	LENGTH	TERMINAL OR STRIP LENGTH

NOTE:
 1. DISTRIBUTION PART NUMBER: DB6502V1
 GRAINGER PART NUMBER: 4UU19

MAIN FRAME - OLE	OPEN
END FRAME - OLE	OPEN
MAIN FRAME - LE	OPEN
END FRAME - LE	OPEN

CUSTOMER	DISTRIBUTION SERVICE
----------	----------------------

PERFORMANCE CURVE NO.	TORQUE @ 1075 RPM (25°C)	APPROVED SAMPLE	UL COMPONENT FILE #	CCN #	CSA FILE #	CLASS #
C31781	9.7 OZ. FT.	98AC388B	E46412	PRGY2	LR43341	4211-01

GEOMETRIC CHARACTERISTICS & SYMBOLS

- FLATNESS
- STRAIGHTNESS
- ANGULARITY
- PERPENDICULARITY (SQUARENESS)
- PARALLELISM
- ROUNDNESS (CIRCULARITY)
- CYLINDRICITY
- PROFILE OF ANY SURFACE
- PROFILE OF ANY LINE
- RUNOUT
- TRUE POSITION
- CONCENTRICITY
- SYMMETRY

ASME Y14.5M 1994

REGAL-BELOIT CORPORATION (RBC) PROVIDES TECHNICAL ASSISTANCE TO OUR CUSTOMERS IN SEVERAL AREAS. SINCE RBC DOES NOT RECEIVE ALL DATA CONCERNING THE USE AND APPLICATION OF THE MOTOR, THE SUITABILITY OF THE MOTOR FOR THE APPLICATION MUST BE DETERMINED BY THE CUSTOMER.

DIMENSIONS WITHOUT TOLERANCES ARE FOR REFERENCE ONLY.

DR BY: JMW 10-05-2004
 APPD: GP 10-05-2004
 EDS DATE 11-11-2011
 FORMAT REV G

THIRD ANGLE PROJECTION

CONFIDENTIAL: THIS DRAWING AND ITS INFORMATION ARE THE EXCLUSIVE AND CONFIDENTIAL PROPERTY OF REGAL-BELOIT CORPORATION AND ARE NOT TO BE DISCLOSED, DUPLICATED, DISTRIBUTED OR OTHERWISE USED WITHOUT THE WRITTEN CONSENT OF REGAL-BELOIT CORPORATION. -ALL RIGHTS RESERVED.

REGAL-BELOIT CORPORATION

DESCRIPTION: **OUTLINE**

SIZE: C DWG NO: 11840-042

SCALE: NONE SHEET 1

4 3 2 1

4 3 2 1

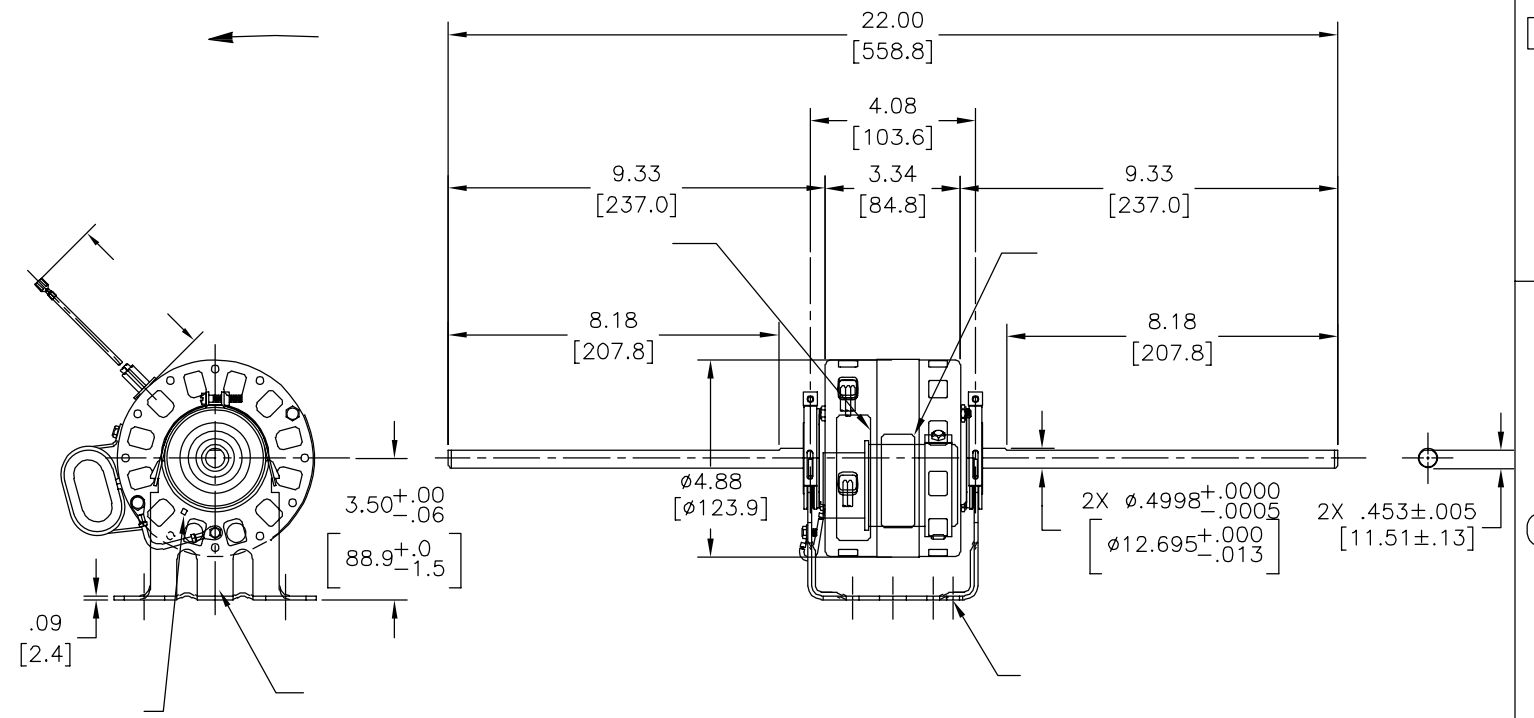
REVISION:	ECO	REVISADO POR:	FECHA:	APROBADO POR:	FECHA:
E	0025542	O. CARVAJAL	04-25-2012	D. BALDERRAMA	04-25-2012

INFORMACION GENERAL:

OSCILACION DE FLECHA: -
 JUEGO AXIAL: -
 BALEROS: -
 POSICION DEL MONTAJE: -

INFORMACION ELECTRICA:

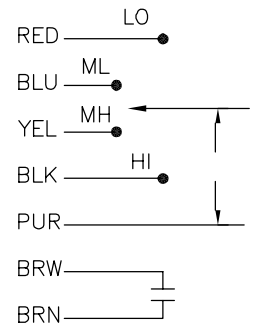
PROTECTOR DE SOBRECARGA -
 CABLES: -
 CABLE DE TIERRA: -



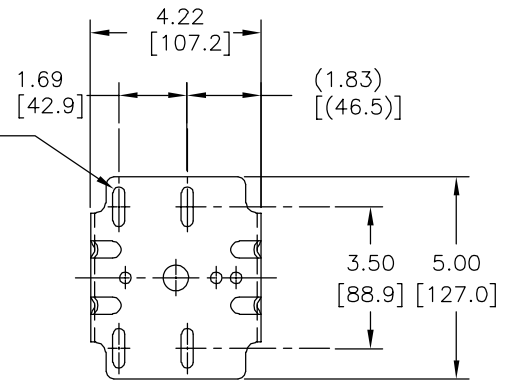
INFORMACION DE ETIQUETA:

DIAGRAMA DE CONEXION EXTRNA

MODEL NO.: F42F30A01
 CUST. P/N: []
 HP: 1/10,1/15,1/20,1/25
 ROT.: CCWLE
 RPM: 1075/4 SPD
 TYPE: FLL
 FRAME: 42Y
 VOLTS: 208-230
 PH: 1
 AMPS: 0.7,0.5,0.4,0.3
 HZ: 60
 INS.: A
 AMB.: 40°C
 DUTY: AIR OVER
 CAP.: 5MFD/370 V
 ENCL: -
 UL LOGO
 CSA LOGO
 THERMALLY PROTECTED



	CONNECTED TO BASE	
	CONNECTED TO CAP	.25[6.4]
	CONNECTED TO CAP	.25[6.4]
	38.5/41.5 [978/1054]	.25[6.4]
-	38.5/41.5 [978/1054]	.25[6.4]
-	38.5/41.5 [978/1054]	.25[6.4]
-	38.5/41.5 [978/1054]	.25[6.4]
-	38.5/41.5 [978/1054]	.25[6.4]
COLOR	LONGITUD	TERMINAL O LONGITUD DE DESFORRE



CARCASA - LOC	-
TAPA - LOC	-
CARCASA - LC	-
TAPA - LC	-

CLIENTE	DISTRIBUTION SERVICE
---------	----------------------

CURVAS DE FUNCIONAMIENTO	TORSION @ RPM (25°C)	MUESTRA APROBADA	COMPONENTE UL	CSA
C31781	9.7 OZ. FT.	98AC388B	#ARCHIVO PRGY2	LR43341 4211-01

CARACTERISTICAS DE GEOMETRIA Y SIMBOLOS
 □ PLANICIDAD
 - RECTITUD
 < ANGULARIDAD
 ⊥ PERPENDICULARIDAD (A ESCUADRA)
 // PARALELISMO
 ○ REDONDEZ (CIRCULARIDAD)
 ∅ CILINDRICIDAD
 △ PERFIL DE CUALQUIER SUPERFICIE
 ▽ PERFIL DE CUALQUIER LINEA
 ↗ VARIACION
 ⊕ POSICION REAL
 ⊙ CONCENTRICIDAD
 = SIMETRIA
 ASME Y14.5M 1994

REGAL-BELOIT CORPORATION (RBC) PROVEE ASISTENCIA TECNICA A NUESTROS CLIENTES EN VARIAS AREAS DESDE QUE RBC NO RECIBE TODOS LOS DATOS EN RELACION AL USO Y A LA APLICACION DEL MOTOR, LA APLICACION ADECUADA DEL MOTOR DEBE SER DETERMINADA POR EL CLIENTE.

DIMENSIONES SIN TOLERANCIA SON DE REFERENCIA SOLAMENTE

DIBUJADO POR: JMW 10-05-2004
 APROBADO POR: GP 10-05-2004
 TERCER ANGULO DE PROYECCION
 FECHA EDS: 11-11-2011
 REV. FORMATO: G

CONFIDENCIAL: ESTE DIBUJO Y SU INFORMACION SON PROPIEDAD DE USO EXCLUSIVO Y CONFIDENCIAL DE REGAL-BELOIT CORPORATION. Y NO DEBERAN SER REVELADOS, DUPLICADOS, DISTRIBUIDOS O USARSE DE OTRA MANERA SIN EL CONSENTIMIENTO ESCRITO DE REGAL-BELOIT CORPORATION. -TODOS LOS DERECHOS RESERVADOS.



DESCRIPCION: OUTLINE

TAMAÑO: C NUMERO DE DIBUJO: 11840-042

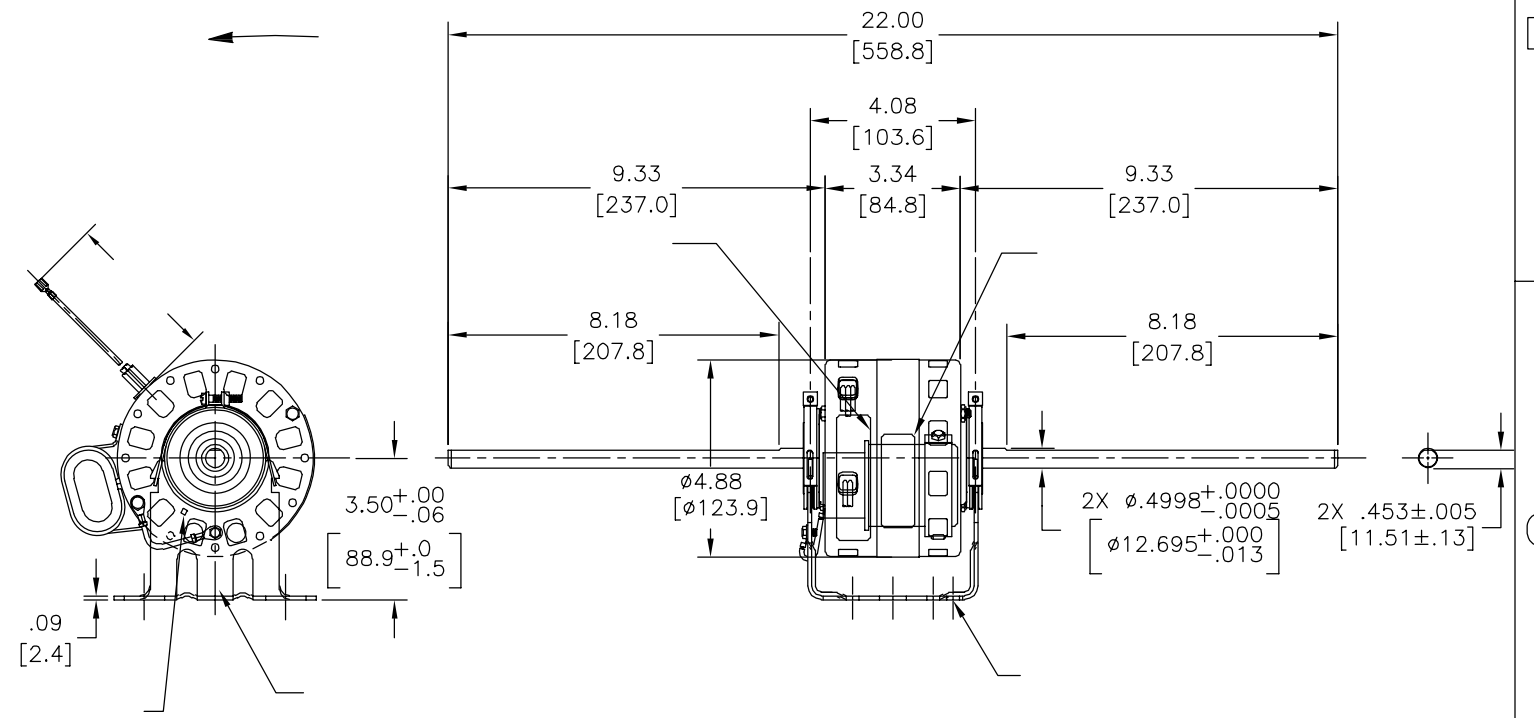
ESCALA: NONE HOJA: 1

4 3 2 1

4 3 2 1

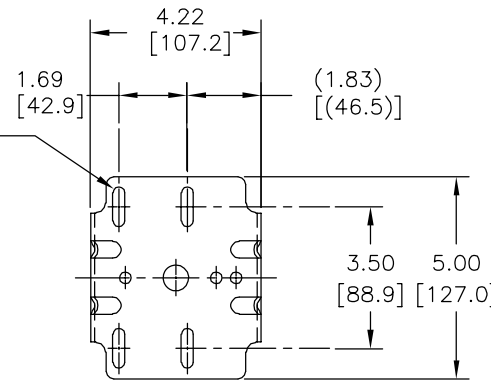
总技术要求:
轴跳动:
端部窜动量
轴承:
安装位置:
电气数据:
过载保护:
引线:
接地线:

版本	ECO	编制	日期	批准	日期
E	0025542	O. CARVAJAL	04-25-2012	D. BALDERRAMA	04-25-2012



铭牌数据	外部数据线
MODEL NO.: F42F30A01 CUST. P/N: [] HP: 1/10,1/15,1/20,1/25 ROT.: CCWLE RPM: 1075/4 SPD TYPE: FLL FRAME: 42Y VOLTS: 208-230 PH: 1 AMPS: 0.7,0.5,0.4,0.3 HZ: 60 INS.: A AMB.: 40°C DUTY: AIR OVER CAP.: 5MFD/370 V ENCL: - UL LOGO CSA LOGO THERMALLY PROTECTED	RED — LO BLU — ML YEL — MH BLK — HI PUR — BRW — BRN —

颜色	长度	端子或剥线长度
	CONNECTED TO BASE	
	CONNECTED TO CAP	.25[6.4]
	CONNECTED TO CAP	.25[6.4]
	38.5/41.5 [978/1054]	.25[6.4]
	38.5/41.5 [978/1054]	.25[6.4]
	38.5/41.5 [978/1054]	.25[6.4]
	38.5/41.5 [978/1054]	.25[6.4]
	38.5/41.5 [978/1054]	.25[6.4]



性能曲线编号	转矩在 @ — RPM (25° C)	批准样品	UL部件		CSA	
			文件号	指南	文件号	指南
C31781	9.7 OZ. FT.	98AC388B	E46412	PRGY2	LR43341	4211-01

密封性	用户	DISTRIBUTION SERVICE
无引线端机壳 无引线端端盖 有引线端机壳 有引线端端盖		

ASME Y14.5M 1994

形位公差
 □ 平面度
 — 直线度
 ∠ 倾斜度
 ⊥ 垂直度
 ∥ 平行度
 ○ 圆度
 ⌀ 圆柱度
 面轮廓度
 线轮廓度
 圆跳动
 位置度
 ⊙ 同轴度
 ≡ 对称度

REGAL-BELOIT CORPORATION (RBC) 在个别领域为客户提供技术支持。鉴于RBC未收到任何涉及电机使用和应用环境的数据，电机的适用性由客户自己决定。

未注公差尺寸仅供参考。

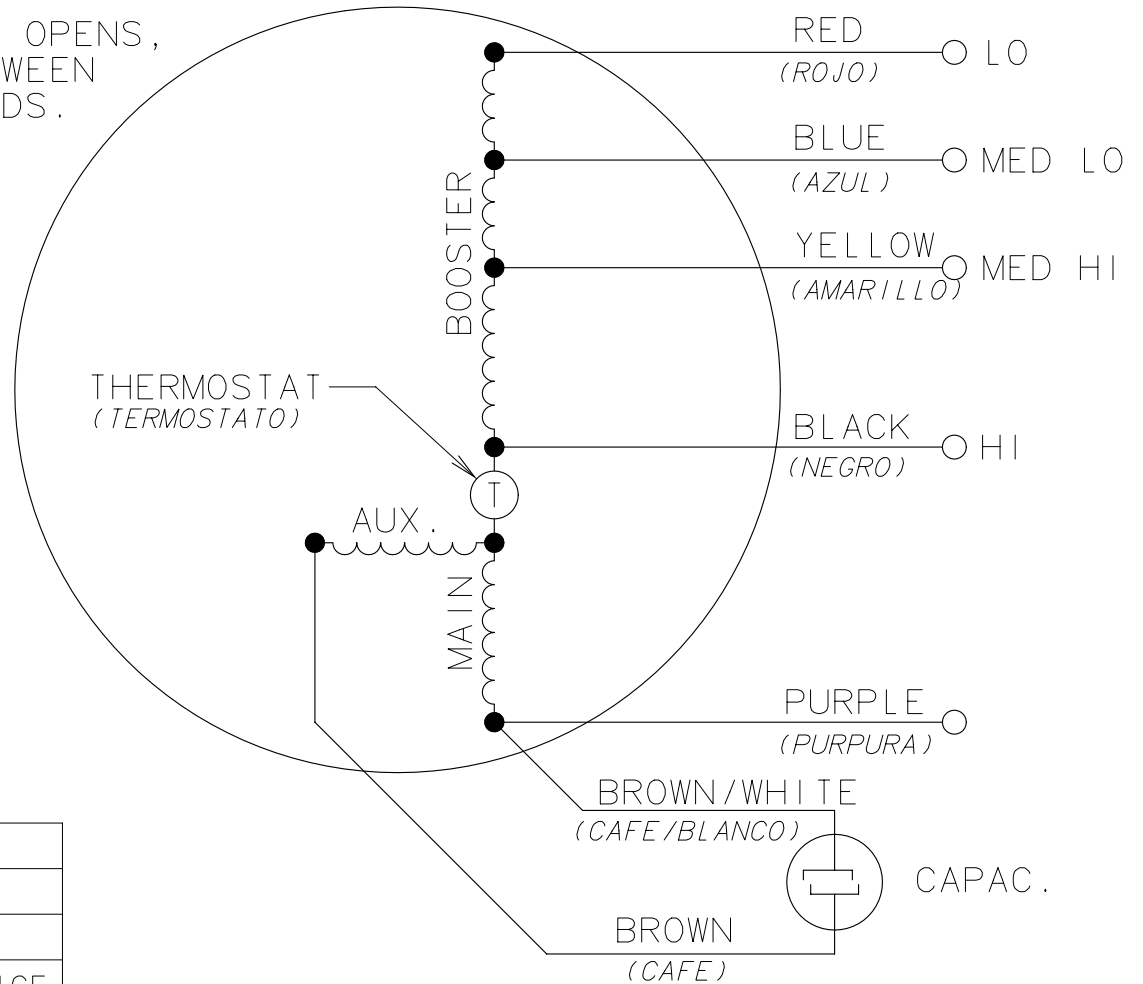
绘图: JMW 10-05-2004
 批准: GP 10-05-2004
 第三角投影
 机密: 本图纸及相关信息所有权归REGAL-BELOIT CORPORATION。未经REGAL-BELOIT CORPORATION书面授权，不得泄露、复制、传播或作其他用途。一版权所有

名称: **REGAL-BELOIT CORPORATION**
OUTLINE
 图幅: C 图号: 11840-042
 比例: NONE 页号: 1

4 3 2 1

QUALITY CONTROL NOTE:


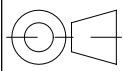
- TO CHECK THE WINDINGS FOR OPENS, VERIFY THE CONTINUITY BETWEEN
- 1. THE BROWN & YELLOW LEADS.
- 2. THE RED & BROWN LEADS.



4 SPEED

"T" CONNECTION

C				
B				
A				
	DATE	CHANGED FROM	ENG DRF APPROVED	NOTICE

GEOMETRIC CHARACTERISTICS & SYMBOLS □ FLATNESS — STRAIGHTNESS ∠ ANGULARITY ⊥ PERPENDICULARITY (SQUARENESS) // PARALLELISM ○ ROUNDNESS (CIRCULARITY) ⊘ CYLINDRICITY ⌒ PROFILE OF ANY SURFACE ⌒ PROFILE OF ANY LINE ↗ RUNOUT ⊕ TRUE POSITION ⊙ CONCENTRICITY = SYMMETRY	UNLESS OTHERWISE SPECIFIED DIMENSION TOLERANCES ARE AS FOLLOWS INCHES .X .XX .XXX ±.02 ±.005 METRIC ±.5 ±.13 ANGLES ±.50 DEG REMOVE BURRS AND BREAK SHARP EDGES .003-.015, CORNER FILLETS TO .020 MACHINE SURFACES 125✓	MATERIAL PROCESS	DRAWN <i>D. JONES</i> 01/19/99 APPROVED <i>J.P.M.</i> 01/21/99 REFERENCE APPLICATION <i>F42D67A01</i> USER/FILE <i>FR42/CONEXT</i>	A.O. SMITH A DIVISION OF A.O. SMITH CORPORATION ELECTRICAL PRODUCTS COMPANY TIPP CITY, OHIO  COPYRIGHT 1995
	CONFIDENTIAL: THIS DRAWING AND ITS INFORMATION ARE THE EXCLUSIVE AND CONFIDENTIAL PROPERTY OF A.O. SMITH CORP. AND ARE NOT TO BE DISCLOSED, DUPLICATED, DISTRIBUTED OR OTHERWISE USED WITHOUT THE WRITTEN CONSENT OF A.O. SMITH CORP. - ALL RIGHTS RESERVED	DESCRIPTION CONNECTION DIAGRAM EXTERNAL	SIZE A  PART NUMBER 625976	SCALE NONE NOTICE 99AN0018 SHEET 1