

PRODUCT INFORMATION PACKET



Model No: DB6504
Catalog No: DB6504

1/6 HP Fan Coil / Room Air Conditioner Motor, 1075 RPM, 3 Speed, 208-230 Volts, 42 Frame, OAO

Fan Coil & Air Conditioner Motors



Regal and Century are trademarks of Regal Rexnord Corporation or one of its affiliated companies.
©2022 Regal Rexnord Corporation, All Rights Reserved. MC017097E





Nameplate Specifications

Output HP	1/6 Hp	Output KW	0.13 kW
Frequency	60 Hz	Voltage	208-230 V
Current	1.4 A	Speed	1075 rpm
Service Factor	1	Phase	1
Duty	Air Over	Insulation Class	B
Frame	42Y	Enclosure	Open Enclosed
Thermal Protection	Automatic	Ambient Temperature	40 °C
UL	Recognized	CSA	Y
CE	N	Number of Speeds	3

Technical Specifications

Electrical Type	Permanent Split Capacitor	Starting Method	Across The Line
Poles	6	Rotation	Counterclockwise Lead End
Mounting	Resilient Base	Motor Orientation	Horizontal
Drive End Bearing	Sleeve	Opp Drive End Bearing	Sleeve
Frame Material	Na	Shaft Type	Flat
Overall Length	23.42 in	Shaft Diameter	0.500 in
Shaft Extension	9.8X.5X9.8 in		
Connection Drawing	7552A86F01	Outline Drawing	DB6504-S01

This is an uncontrolled document once printed or downloaded and is subject to change without notice. Date Created:03/04/2022

GENERAL INFORMATION:

SHAFT RUNOUT: .001[.025] T.I.R. PER INCH LENGTH OF EXTENSION.

END PLAY: .010[.254] TO .063[1.600]

BEARINGS: SLEEVE

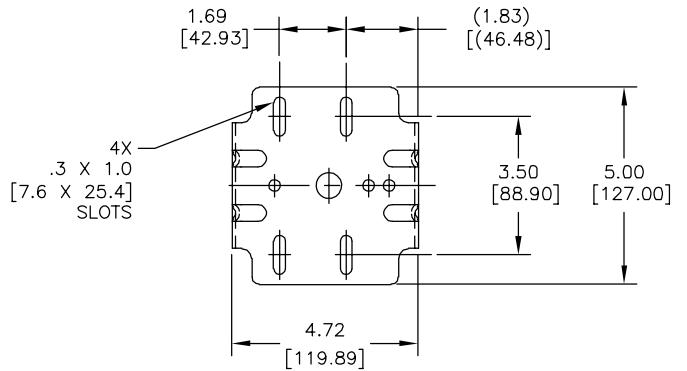
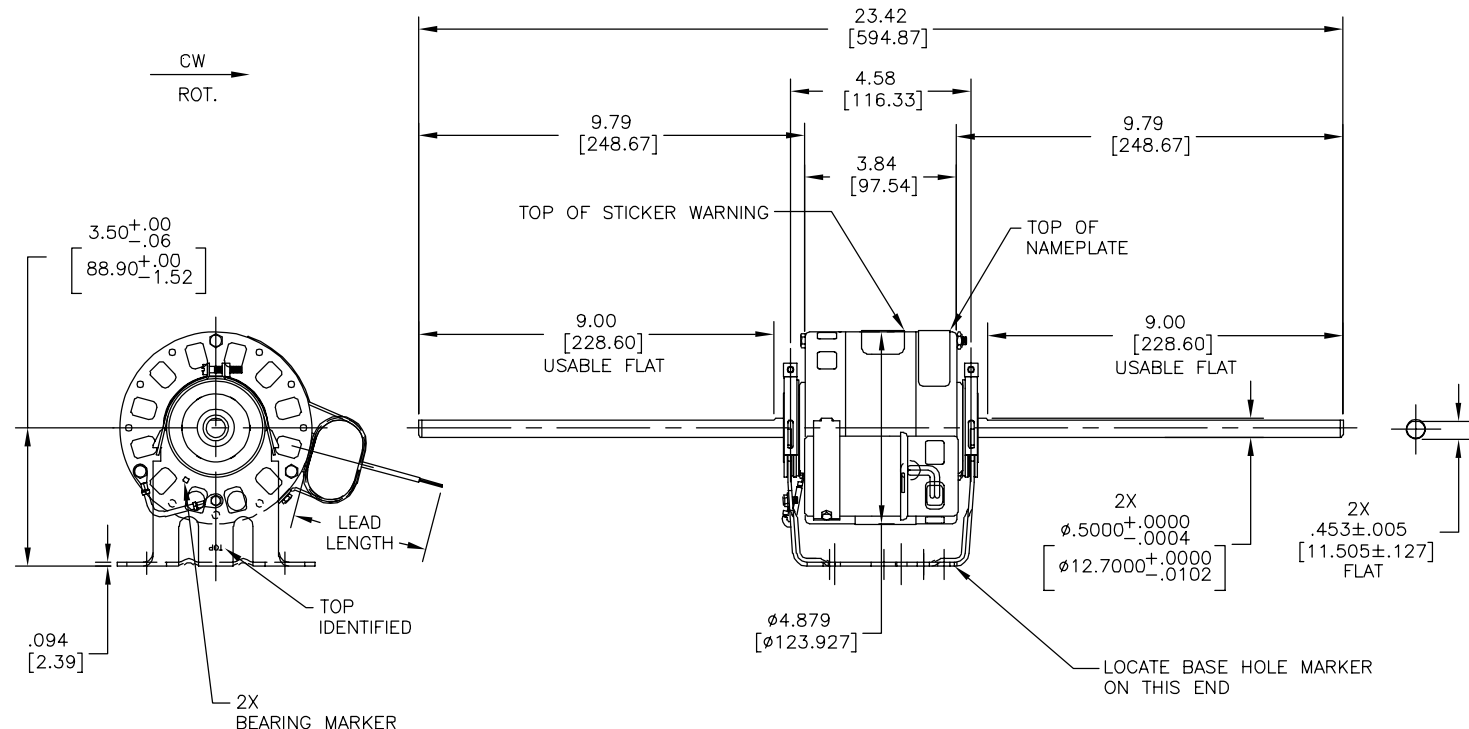
MOUNTING POSITION: HORIZONTAL

ELECTRICAL DATA:

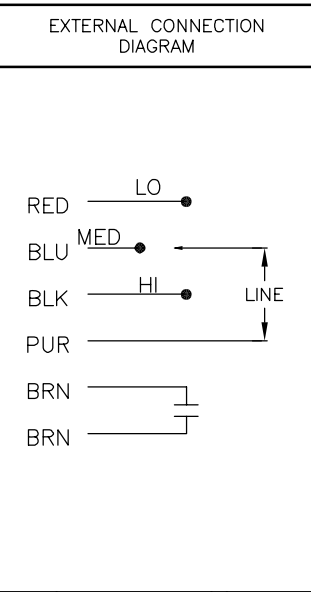
OVERLOAD PROTECTOR: AUTOMATIC RESET (SENSATA 7AM 034)

LEADS: NO. 18 GA. , .03[.76] THK. , 125°C INSUL.

GROUND LEAD: NO. 18 GA. , .03[.76] THK. , (GREEN) INSUL.



NAMEPLATE DATA:	
MODEL NO.:	F42F32A01
CUST. P/N:	DB6504
HP:	1/6
ROT.:	CCWLE
RPM:	1075/3 SPD
TYPE:	FLL
FRAME:	42Y
VOLTS:	208-230
PH:	1
AMPS:	1.4
HZ:	60/50
INS.:	B
AMB.:	40°
DUTY:	AIR COVER
CAP.:	5MFD/370 V
ENCL.:	-
UL LOGO	
CSA LOGO	
THERMALLY PROTECTED	
TYPE C	



COLOR	LENGTH	TERMINAL OR STRIP LENGTH
GREEN (GRD)	CONNECTED TO BASE	# 10 EYELET
BROWN	CONNECTED TO CAPACITOR	.25[6.35] FEMALE SPADE
BROWN	CONNECTED TO CAPACITOR	.25[6.35] FEMALE SPADE
PURPLE	11.0/13.0 [279.4/330.2]	.60[15.24] SKIN
BLACK	11.0/13.0 [279.4/330.2]	.60[15.24] SKIN
BLUE	11.0/13.0 [279.4/330.2]	.60[15.24] SKIN
RED	11.0/13.0 [279.4/330.2]	.60[15.24] SKIN

REGAL-BELOIT CORPORATION (RBC) PROVIDES TECHNICAL ASSISTANCE TO OUR CUSTOMERS IN SEVERAL AREAS. SINCE RBC DOES NOT RECEIVE ALL DATA CONCERNING THE USE AND APPLICATION OF THE MOTOR, THE SUITABILITY OF THE MOTOR FOR THE APPLICATION MUST BE DETERMINED BY THE CUSTOMER.

DIMENSIONS WITHOUT TOLERANCES ARE FOR REFERENCE ONLY.

MAIN FRAME - OLE	OPEN
END FRAME - OLE	OPEN
MAIN FRAME - LE	OPEN
END FRAME - LE	OPEN

CUSTOMER	DISTRIBUTION SERVICES
----------	-----------------------

PERFORMANCE CURVE NO.	TORQUE @ 1075 RPM (25°C)	APPROVED SAMPLE	UL COMPONENT		CSA	
			FILE #	CCN #	FILE #	CLASS #
C32416	18.4 OZ. FT.	0443749A	E46412	PRGY2	LR43341	4211-01

DRAWING REVISION		
A	REVISION BY A. RODRIGUEZ	DATE 09-18-2014
ECO	APPROVED BY T. REYES	DATE 09-18-2014
ECO DESCRIPTION		
Corrected base dimension To: 1.83		

COPYRIGHT REGAL-BELOIT CORPORATION, INC. ALL RIGHTS RESERVED. PROPRIETARY AND CONFIDENTIAL INFORMATION - THIS DOCUMENT IS THE PROPERTY OF REGAL-BELOIT CORPORATION, INC. (OWNER) AND CONTAINS OWNER'S PROPRIETARY INFORMATION. ANY PERSON, CORPORATION OR OTHER FIRM RECEIVING IT IS DEEMED, BY RECEIVING IT, TO AGREE THAT IT, AND/OR ANY PART OF IT, SHALL NOT BE DISCLOSED TO ANY PERSON, CORPORATION OR OTHER ENTITY, DUPLICATED, AND/OR USED, EXCEPT AS EXPRESSLY APPROVED IN WRITING IN ADVANCE BY OWNER. THIS DOCUMENT SHALL BE RETURNED TO OWNER UPON REQUEST. IT MAY BE SUBJECT TO CERTAIN RESTRICTIONS UNDER APPLICABLE EXPORT CONTROL LAWS AND REGULATIONS.

DRAWN BY: A. RODRIGUEZ	DATE: 09-18-2014	Regal Beloit America, Inc.
APPROVED BY: T. REYES	DATE: 09-18-2014	
REFERENCE: -	MATERIAL: -	DESCRIPTION: MODEL-RFHP-42FR OUTLINE
THIRD ANGLE PROJECTION	SIZE DWG NO: C	PROCESS/FINISH: DB6504
		SHEET: 1