

PRODUCT INFORMATION PACKET



Model No: DBL4404

Catalog No: DBL4404

Fan Coil & Air Conditioner Motor, 1/10,1/15,1/20 HP, 1 Ph, 60 Hz, 115 V, 1550 RPM, 3 Speed,
42 Frame, OAO



Regal and Century are trademarks of Regal Rexnord Corporation or one of its affiliated companies.
©2026 Regal Rexnord Corporation, All Rights Reserved. MC017097E





Nameplate Specifications

Phase	1	Output HP	1/10,1/15,1/20 Hp
Output KW	0.07 kW	Voltage	115 V
Speed	1550 rpm	Service Factor	1
Frame	42Y	Enclosure	Open Air Over
Thermal Protection	Automatic	Ambient Temperature	40 °C
Frequency	60 Hz	Current	3.5,1.7,1.4 A
Duty	Air Over	Insulation Class	A
UL	Recognized	CSA	Y
CE	N	A2L Status	A2L Compliant
Number of Speeds	3		

Technical Specifications

Electrical Type	Shaded Pole	Starting Method	Across The Line
Poles	4	Rotation	Counterclockwise Lead End
Mounting	Resilient Base	Motor Orientation	Horizontal
Drive End Bearing	Sleeve	Opp Drive End Bearing	Sleeve
Frame Material	Rolled Steel	Shaft Type	Flat
Overall Length	22.00 in	Shaft Diameter	0.500 in
Shaft Extension	9.3X.5X9.3 in		
Outline Drawing	DBL4404-S01	Connection Drawing	263B929F01

This is an uncontrolled document once printed or downloaded and is subject to change without notice. Date Created:06/04/2026

GENERAL INFORMATION:

SHAFT RUNOUT: .001 [.03] T.I.R. PER INCH LENGTH OF EXTENSION.

END PLAY: .010 [.25] TO .063 [1.60]

BEARINGS: SLEEVE

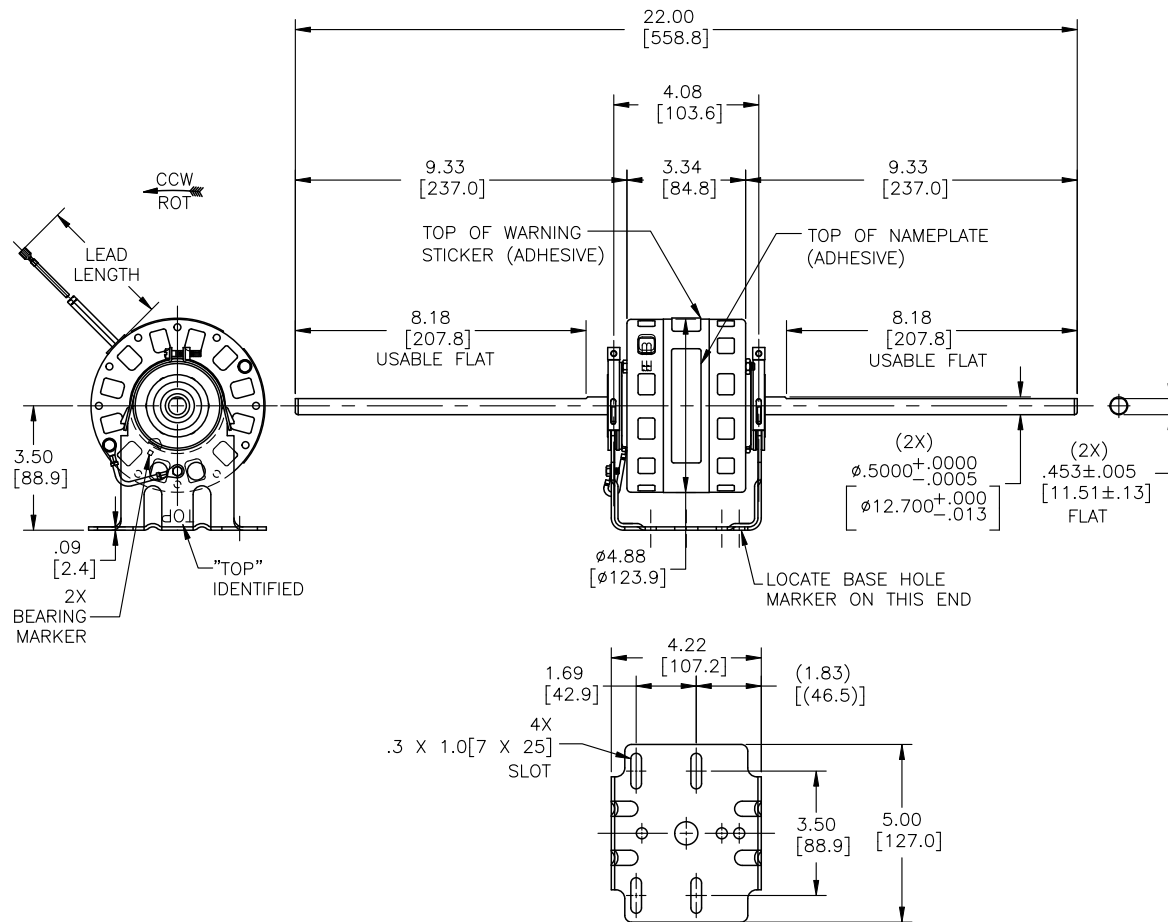
MOUNTING POSITION: HORIZONTAL

ELECTRICAL DATA:

OVERLOAD PROTECTOR: AUTOMATIC RESET (SENSATA 7AM 034)

LEADS: NO. 18 GA., .03 [.8] THK., 125°C INSUL.

GROUND LEAD: NO. 18 GA., .03 [.8] THK., GREEN INSUL.



NOTE:
DISTRIBUTION: CUST. P/N: DBL4404
GRAINGER: CUST. P/N: 3M721

SEE NOTE

NAMEPLATE DATA:	EXTERNAL CONNECTION DIAGRAM
MODEL NO.: 322P116 CUST. P/N: [] HP: 1/10, 1/15, 1/20 ROT.: CCWLE RPM: 1550 TYPE: FE FRAME: 42Y VOLTS: 115 PH: 1 AMPS: 4.0, 2.6, 1.9 HZ: 60 INS.: A AMB.: 40° C DUTY: AIR OVER CAP.: ENCL: - UL LOGO CSA LOGO THERMALLY PROTECTED	

GREEN (GRD)	CONNECTED TO BASE	#10 SERR. EYELET
RED	38.5/41.5 [978/1054]	.25 [6.4] FEMALE SPADE
BLUE	38.5/41.5 [978/1054]	.25 [6.4] FEMALE SPADE
BLACK	38.5/41.5 [978/1054]	.25 [6.4] FEMALE SPADE
WHITE	38.5/41.5 [978/1054]	.25 [6.4] FEMALE SPADE
COLOR	LENGTH	TERMINAL OR STRIP LENGTH

ENCLOSURE	
MAIN FRAME - OLE	OPEN
END FRAME - OLE	OPEN
MAIN FRAME - LE	OPEN
END FRAME - LE	OPEN

CUSTOMER	DISTRIBUTION SERVICE

PERFORMANCE CURVE NO.	TORQUE @1550 RPM (25°C)	APPROVED SAMPLE	UL COMPONENT FILE #	CCN #	CSA FILE #	CLASS #
670011	6.5 OZ. FT.	PM 5147	E27885	XEWR2	LR43341	4211-01

DRAWING REVISION	REVISION BY	DATE
J.A.	MURALIDAR	06-03-2026
ECO	APPROVED BY	DATE
ECO-0251928	MURALIDAR	06-03-2026

ECO DESCRIPTION
UPDATED FROM 8 EYELET TO 10 SERR. EYELET

COPYRIGHT REGAL BELOIT AMERICA, INC. ALL RIGHTS RESERVED. PROPRIETARY AND CONFIDENTIAL INFORMATION - THIS DOCUMENT IS THE PROPERTY OF REGAL BELOIT AMERICA, INC. (OWNER) AND CONTAINS OWNER'S PROPRIETARY INFORMATION. ANY PERSON, CORPORATION OR OTHER FIRM RECEIVING IT IS DEEMED BY RECEIVING IT, TO AGREE THAT IT, AND/OR ANY PART OF IT, SHALL NOT BE DISCLOSED TO ANY PERSON, CORPORATION OR OTHER ENTITY, DUPLICATED, AND/OR USED EXCEPT AS EXPRESSLY APPROVED IN WRITING IN ADVANCE BY OWNER. THIS DOCUMENT SHALL BE RETURNED TO OWNER UPON REQUEST. IT MAY BE SUBJECT TO CERTAIN RESTRICTIONS UNDER APPLICABLE EXPORT CONTROL LAWS AND REGULATIONS.

DRAWN BY:	DATE:	APPROVED BY:	DATE:	REFERENCE:	THIRD ANGLE PROJECTION
J. RUPERT	02-13-1996	W. HEATH	03-01-1996		

REGAL™ Regal Beloit America, Inc.

DESCRIPTION: MODEL-RFHP-42FR OUTLINE

MATERIAL: [] PROCESS/FINISH: []

SIZE DWG NO: C DBL4404

SHEET 1