

# PRODUCT INFORMATION PACKET



Model No: DBL4411  
Catalog No: DBL4411

Fan Coil & Air Conditioner Motor, 1/10 HP, 1 Ph, 60 Hz, 115 V, 1550 RPM, 4 Speed, 42 Frame, OAO



Regal and Century are trademarks of Regal Rexnord Corporation or one of its affiliated companies.  
©2024 Regal Rexnord Corporation, All Rights Reserved. MC017097E





**Nameplate Specifications**

Phase	1	Output HP	1/10 Hp
Output KW	0.07 kW	Voltage	115 V
Speed	1550 rpm	Service Factor	1.0
Frame	42Y	Enclosure	Open Air Over
Thermal Protection	Automatic	Ambient Temperature	40 °C
Frequency	60 Hz	Current	3.5 A
Duty	Air Over	Insulation Class	A
UL	Recognized	CSA	Y
CE	N	Number of Speeds	4

**Technical Specifications**

Electrical Type	Shaded Pole	Starting Method	Across The Line
Poles	4	Rotation	Counterclockwise Lead End
Mounting	Resilient Ring/Extended Studs	Motor Orientation	Horizontal
Drive End Bearing	Sleeve	Opp Drive End Bearing	Sleeve
Frame Material	Na	Shaft Type	Flat
Overall Length	22.00 in	Shaft Diameter	0.375 in
Shaft Extension	9.3x3/8x9.3 in		
Connection Drawing	619105	Outline Drawing	11927-057-S01

This is an uncontrolled document once printed or downloaded and is subject to change without notice. Date Created:04/24/2024

4 3 2 1

REV	ECO	REV BY	DATE	APPD	DATE
D	0025542	L.HEREDIA	04-25-2012	D.BALDERRAMA	04-25-2012

GENERAL INFORMATION:

SHAFT RUNOUT: .001 [.03]T.I.R. PER INCH LENGTH OF EXTENSION

END PLAY: .010[.25] TO .063[1.60]

BEARINGS: SLEEVE

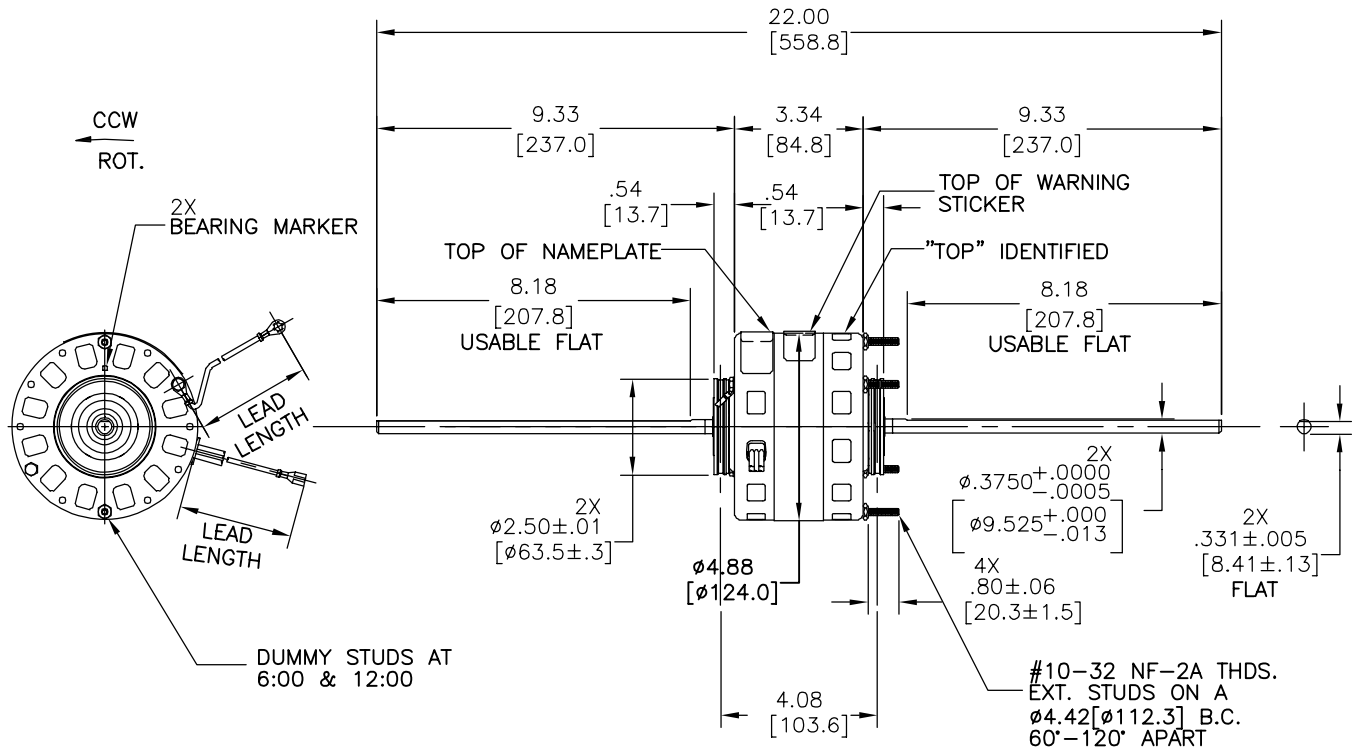
MOUNTING POSITION: HORIZONTAL

ELECTRICAL DATA:

OVERLOAD PROTECTOR: AUTOMATIC RESET (T.I. 7AM 304)

LEADS: NO. 18 GA., .03 [.8] THK. 125°C X-LINKED INSUL.

GROUND LEAD: NO. 18 GA., .03 [.8] THK. (GREEN) INSUL.



NAMEPLATE DATA:	EXTERNAL CONNECTION DIAGRAM
MODEL NO.: B42B07A01 CUST. P/N: [ ] [ ] [ ] [ ] [ ] [ ] HP: 1/10 ROT: CCWLE RPM: 1550/4 SPD. TYPE: FE FRAME: VOLTS: PH: 1 AMPS: 3.5 HZ: 60 INS: A AMB: 40C DUTY: AIR OVER CAP.: - UL & CSA LOGO THERMALLY PROTECTED TYPE C	

COLOR	LENGTH	TERMINAL OR STRIP LENGTH
GREEN (GRD)	3/5 [76/127]	#8 EYELET
RED	38.5/41.5 [978/1054]	.25[6.4] FEMALE SPADE
ORANGE	38.5/41.5 [978/1054]	.25[6.4] FEMALE SPADE
BLUE	38.5/41.5 [978/1054]	.25[6.4] FEMALE SPADE
BLACK	38.5/41.5 [978/1054]	.25[6.4] FEMALE SPADE
WHITE	38.5/41.5 [978/1054]	.25[6.4] FEMALE SPADE

NOTE:  
 1. 1X MOUNTING BASE  
 2X MOUNTING CLAMP ASSEMBLIES & 1X SCEW TO BE SHIPPED SEPARATELY IN EACH CARTON WITH MOTOR  
 2. DISTRIBUTION PART NUMBER: DBL4411  
 GRAINBER PART NUMBER: 4UU45

MAIN FRAME - OLE	OPEN
END FRAME - OLE	OPEN
MAIN FRAME - LE	OPEN
END FRAME - LE	OPEN

CUSTOMER	DISTRIBUTION SERVICE
----------	----------------------

PERFORMANCE CURVE NO.	TORQUE @1550 RPM (25°C)	APPROVED SAMPLE	UL COMPONENT	CSA
C32330	6.6 OZ. FT.	0443464A	E46412 PRGY2	LR43341 4211-01

GEOMETRIC CHARACTERISTICS & SYMBOLS

- ▭ FLATNESS
- STRAIGHTNESS
- ∠ ANGULARITY
- ⊥ PERPENDICULARITY (SQUARENESS)
- ∥ PARALLELISM
- ROUNDNESS (CIRCULARITY)
- ⊘ CYLINDRICITY
- △ PROFILE OF ANY SURFACE
- ∩ PROFILE OF ANY LINE
- ∩ RUNOUT
- ⊕ TRUE POSITION
- ⊙ CONCENTRICITY
- ≡ SYMMETRY

ASME Y14.5M 1994

REGAL-BELOIT CORPORATION (RBC) PROVIDES TECHNICAL ASSISTANCE TO OUR CUSTOMERS IN SEVERAL AREAS. SINCE RBC DOES NOT RECEIVE ALL DATA CONCERNING THE USE AND APPLICATION OF THE MOTOR, THE SUITABILITY OF THE MOTOR FOR THE APPLICATION MUST BE DETERMINED BY THE CUSTOMER.

DIMENSIONS WITHOUT TOLERANCES ARE FOR REFERENCE ONLY.

DR BY: GORDON 12-08-2004

APPD: PIATT 12-09-2004

EDS DATE 11-11-2011

FORMAT REV G

THIRD ANGLE PROJECTION

CONFIDENTIAL: THIS DRAWING AND ITS INFORMATION ARE THE EXCLUSIVE AND CONFIDENTIAL PROPERTY OF REGAL-BELOIT CORPORATION AND ARE NOT TO BE DISCLOSED, DUPLICATED, DISTRIBUTED OR OTHERWISE USED WITHOUT THE WRITTEN CONSENT OF REGAL-BELOIT CORPORATION. -ALL RIGHTS RESERVED.

REGAL-BELOIT CORPORATION

DESCRIPTION: OUTLINE

SIZE: C DWG NO: 11927-057

SCALE: NONE SHEET: 1

4 3 2 1

4

3

2

1

REVISION:	ECO	REVISADO POR:	FECHA:	APROBADO POR:	FECHA:
D	0025542	L.HEREDIA	04-25-2012	D.BALDERRAMA	04-25-2012

INFORMACION GENERAL:

OSCILACION DE FLECHA:.004 [.03]

JUEGO AXIAL: -

BALEROS: -

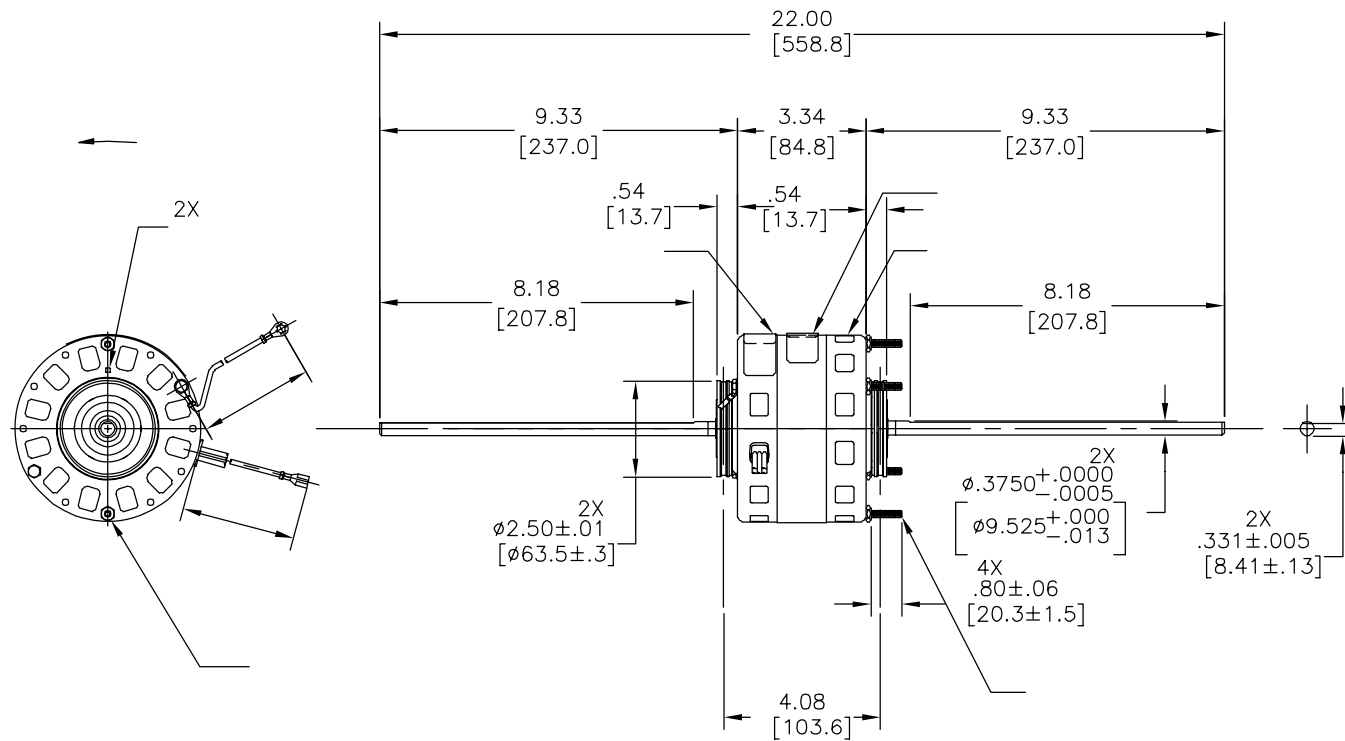
POSICION DEL MONTAJE: -

INFORMACION ELECTRICA:

PROTECTOR DE SOBRECARGA AUTOMATIC RESET (T.I. 7AM 304)

CABLES: -

CABLE DE TIERRA: -



SEE NOTE 2

INFORMACION DE ETIQUETA:	DIAGRAMA DE CONEXION EXTRNA
MODEL NO.: B42B07A01 CUST. P/N: [ ] [ ] [ ] [ ] [ ] [ ] HP: 1/10 ROT: CCWLE RPM: 1550/4 SPD. TYPE: FE FRAME: VOLTS: PH: 1 AMPS: 3.5 HZ: 60 INS: A AMB: 40C DUTY: AIR OVER CAP.: - UL & CSA LOGO THERMALLY PROTECTED TYPE C	

	3/5	
	[76/127]	
	38.5/41.5	.25[6.4]
	[978/1054]	
	38.5/41.5	.25[6.4]
	[978/1054]	
	38.5/41.5	.25[6.4]
	[978/1054]	
	38.5/41.5	.25[6.4]
	[978/1054]	
	38.5/41.5	.25[6.4]
	[978/1054]	

CARCASA - LOC	
TAPA - LOC	
CARCASA - LC	
TAPA - LC	

CLIENTE	
---------	--

COLOR	LONGITUD	TERMINAL O LONGITUD DE DESFORRE

INFORMACION DE CABLES

REGAL-BELOIT CORPORATION (RBC) PROVEE ASISTENCIA TECNICA A NUESTROS CLIENTES EN VARIAS AREAS. DESDE QUE RBC NO RECIBE TODOS LOS DATOS EN RELACION AL USO Y LA APLICACION DEL MOTOR, LA APLICACION ADECUADA DEL MOTOR DEBE SER DETERMINADA POR EL CLIENTE.

DIMENSIONES SIN TOLERANCIA SON DE REFERENCIA SOLAMENTE

DIBUJADO POR: GORDON 12-08-2004

APROBADO POR: PIATT 12-09-2004

TERCER ANGULO DE PROYECCION

FECHA EDS: 11-11-2011

REV. FORMATO: G

CONFIDENCIAL: ESTE DIBUJO Y SU INFORMACION SON PROPIEDAD DE USO EXCLUSIVO Y CONFIDENCIAL DE REGAL-BELOIT CORPORATION. Y NO DEBERAN SER REVELADOS, DUPLICADOS, DISTRIBUIDOS O USARSE DE OTRA MANERA SIN EL CONSENTIMIENTO ESCRITO DE REGAL-BELOIT CORPORATION. -TODOS LOS DERECHOS RESERVADOS.

DESCRIPCION: OUTLINE

TAMAÑO: C NUMERO DE DIBUJO: 11927-057

ESCALA: NONE HOJA: 1

4

3

2

1

版本	ECO	编制	日期	批准	日期
D	0025542	L.HEREDIA	04-25-2012	D.BALDERRAMA	04-25-2012

总技术要求:

轴跳动: .001 [.03]

端部窜动量

轴承:

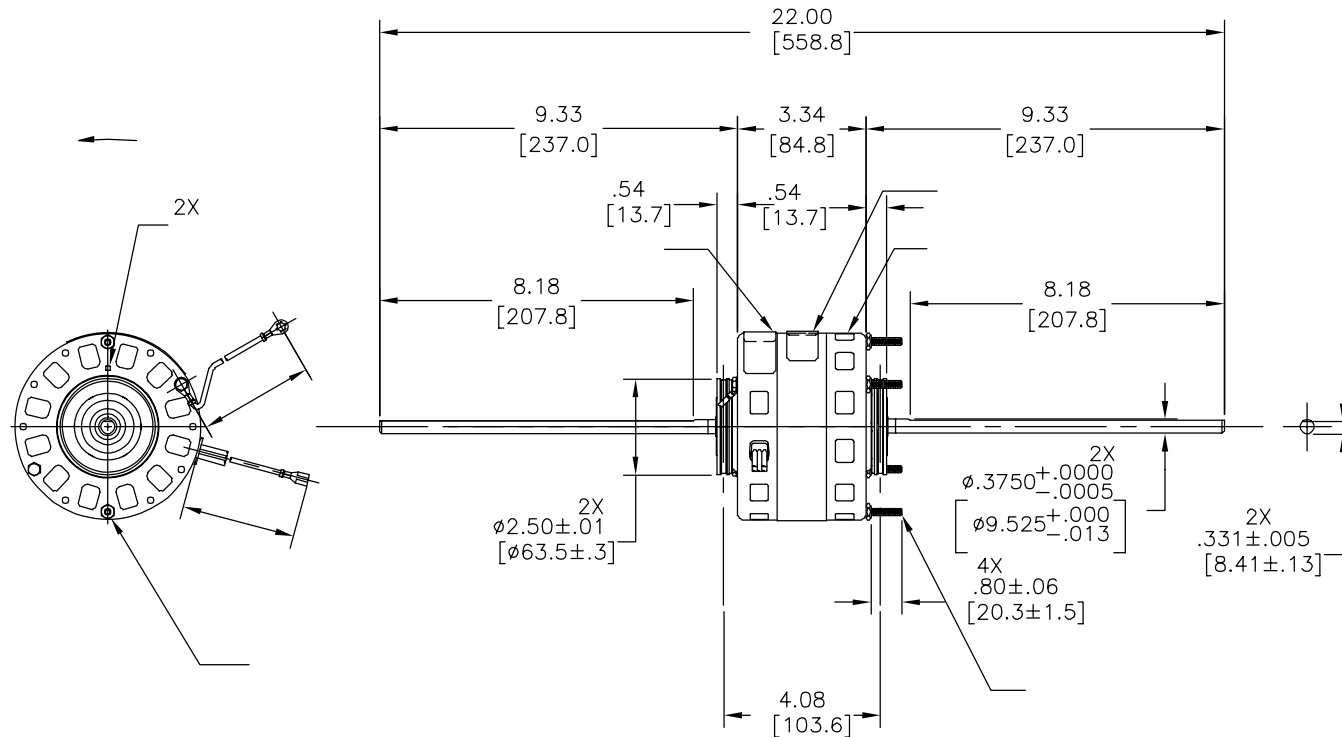
安装位置:

电气数据:

过载保护: AUTOMATIC RESET (T.I. 7AM 304)

引线:

接地线:



SEE NOTE 2

铭牌数据	外部数据
MODEL NO.: B42B07A01 CUST. P/N: [ ] [ ] [ ] [ ] HP: 1/10 ROT: CCWLE RPM: 1550/4 SPD. TYPE: FE FRAME: VOLTS: PH: 1 AMPS: 3.5 HZ: 60 INS: A AMB: 40C DUTY: AIR OVER CAP.: - UL & CSA LOGO THERMALLY PROTECTED TYPE C	

颜色	长度	端子或剥线长度
	3/5 [76/127]	.25[6.4]
	38.5/41.5 [978/1054]	.25[6.4]
	38.5/41.5 [978/1054]	.25[6.4]
	38.5/41.5 [978/1054]	.25[6.4]
	38.5/41.5 [978/1054]	.25[6.4]
	38.5/41.5 [978/1054]	.25[6.4]

无引线端机壳	
无引线端端盖	
有引线端机壳	
有引线端端盖	

用户	
----	--

性能曲线编号	转矩在 @ --- RPM (25°C)	批准样品	UL 部件		CSA	
			文件号	指南	文件号	指南
C32330	6.6 OZ. FT.	0443464A	E46412	PRGY2	LR43341	4211-01

- 形位公差
- 平面度
- 直线度
- ∠ 倾斜度
- ⊥ 垂直度
- ∥ 平行度
- 圆度
- ⊘ 圆柱度
- ⌒ 面轮廓度
- ⌒ 线轮廓度
- ↻ 圆跳动
- ⊕ 位置度
- ⊙ 同轴度
- ≡ 对称度

ASME Y14.5M 1994

REGAL-BELOIT CORPORATION (RBC) 在个别领域为客户提供技术支持。鉴于 RBC 未收到任何涉及电机使用和 应用环境的数据，电机的适用性 由客户自己决定。

未注公差尺寸仅供参考。

绘图:	GORDON	12-08-2004
批准:	PIATT	12-09-2004

第三角投影 图纸格式发布日期 11-11-2011 图纸格式版本 G

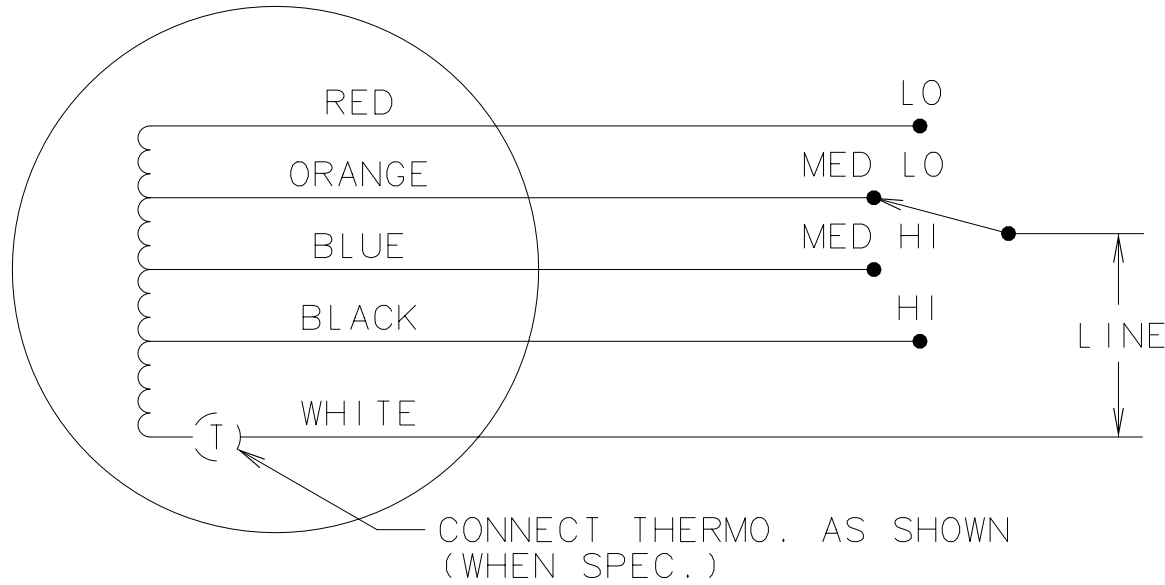
机密: 本图纸及相关信息所有权归 REGAL-BELOIT CORPORATION 未经 REGAL-BELOIT CORPORATION 书面授权, 不得泄露、复制、传播或作其他用途。— 版权所有


名称		OUTLINE	
图幅	C	图号	11927-057
比例	NONE	页号	1

CONFIDENTIAL: THIS DRAWING AND ITS INFORMATION ARE THE EXCLUSIVE AND CONFIDENTIAL PROPERTY OF A.O. SMITH CORP. AND ARE NOT TO BE DISCLOSED, DUPLICATED, DISTRIBUTED OR OTHERWISE USED WITHOUT THE WRITTEN CONSENT OF A.O. SMITH CORP. - ALL RIGHTS RESERVED

QUALITY CONTROL NOTE:

- TO CHECK THE WINDINGS FOR OPENS, VERIFY THE CONTINUITY BETWEEN THE WHITE AND RED LEADS.



	DATE	CHANGED FROM	NOTICE	MATERIAL	PROCESS	<b>A.O. SMITH</b> A DIVISION OF A.O. SMITH CORPORATION <b>ELECTRICAL PRODUCTS COMPANY</b> TIPP CITY, OHIO		 COPYRIGHT 1992
				FIRST MODEL 326P147	SHEET 1 OF 1	DRAWN BY HEATH	NPN NO. 18985	DESCRIPTION DIAG. MLW FR42 TYPE FE
				NO. OF MODELS	REFERENCE	SCALE NONE	APPROVED BY	REL. DATE 08/14/89
				LIMITS UNLESS OTHERWISE SPECIFIED: FRACTIONS ± NONE ANGLES ± NONE DECIMALS ± NONE		GROUP CODE FR42	FILE CODE CONEXT	PART NO. <b>619105</b>

\* CADAM DWG. -DO NOT ALTER

B#10 (J) ✓