

PRODUCT INFORMATION PACKET

Model No: DBL4412

Catalog No: DBL4412

1/10 HP Fan Coil / Room Air Conditioner Motor, 1550 RPM, 4 Speed, 208-230 Volts, 42 Frame, OAO



Regal and are trademarks of Regal Rexnord Corporation or one of its affiliated companies.
©2022 Regal Rexnord Corporation, All Rights Reserved. MC017097E

Nameplate Specifications

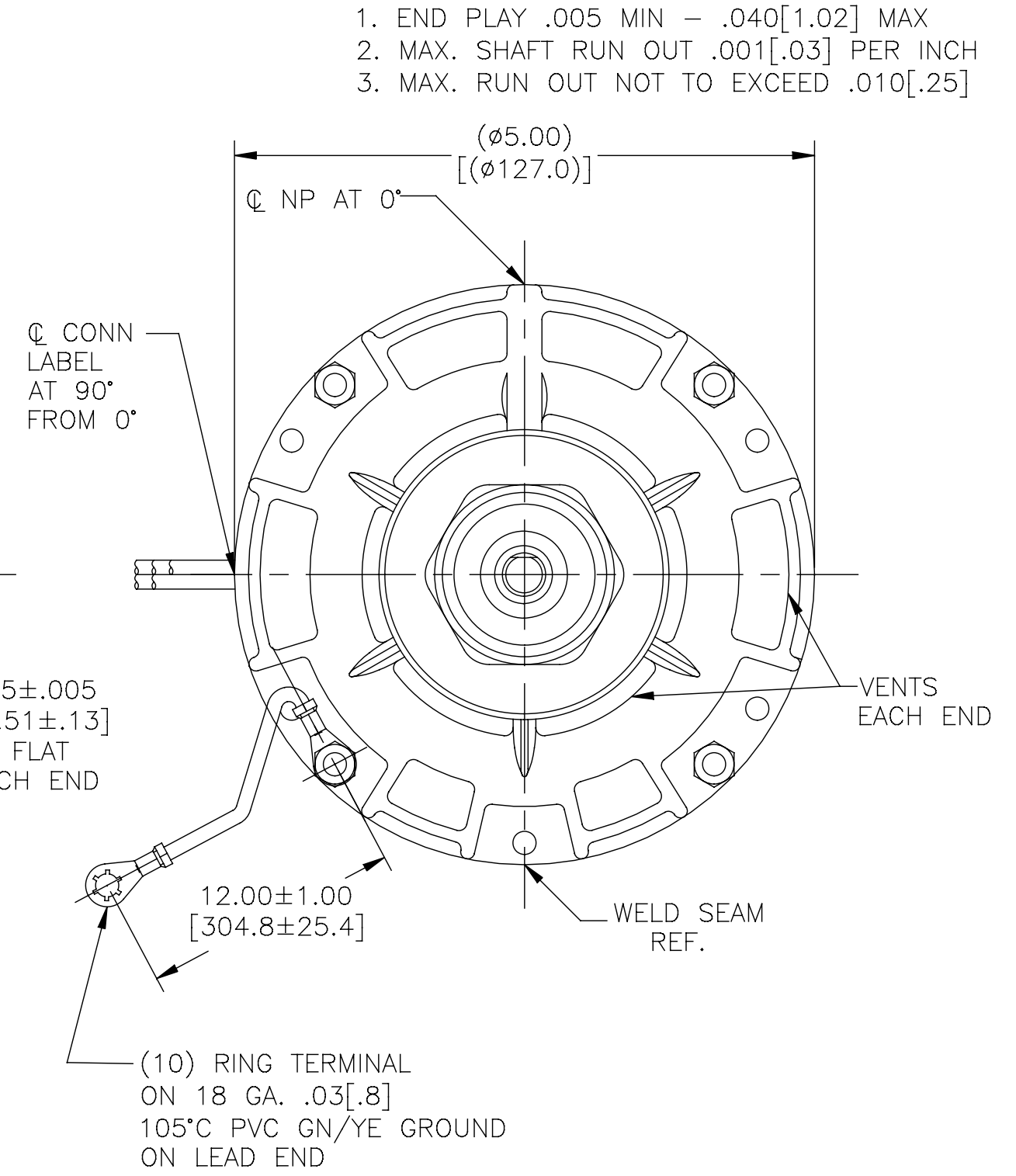
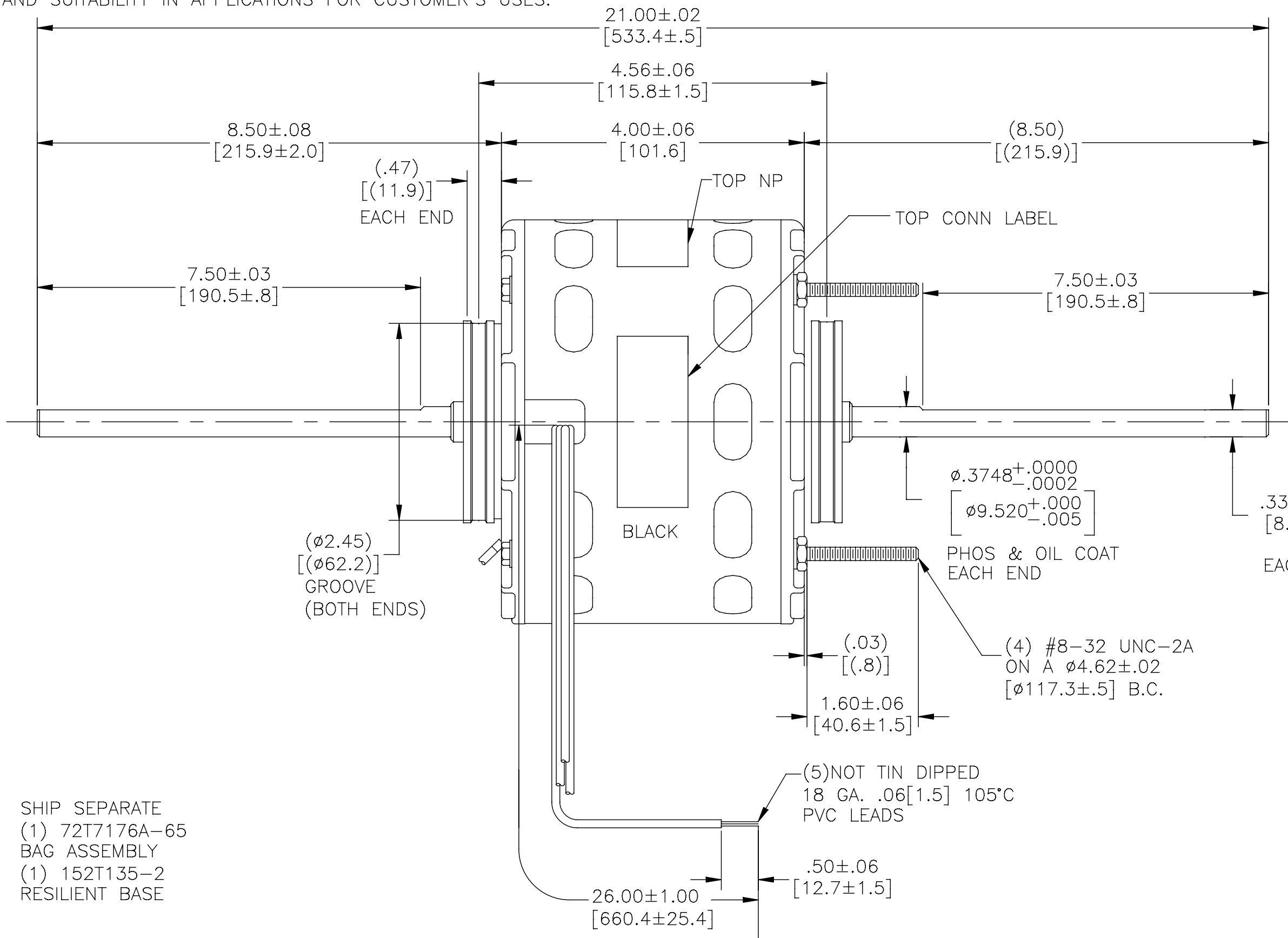
Output HP	1/10 Hp	Output KW	0.07 kW
Frequency	60 Hz	Voltage	208-230 V
Current	2.11 A	Speed	1550 rpm
Service Factor	1	Phase	1
Duty	Air Over	Insulation Class	B
Frame	42Y	Enclosure	Open Enclosed
Thermal Protection	Automatic	Ambient Temperature	40 °C
UL	Recognized	CSA	Y
CE	N	Number of Speeds	4

Technical Specifications

Electrical Type	Shaded Pole	Starting Method	Across The Line
Poles	4	Rotation	Counterclockwise Lead End
Mounting	Extended Studs	Motor Orientation	Horizontal
Drive End Bearing	Sleeve	Opp Drive End Bearing	Sleeve
Frame Material	Rolled Steel	Shaft Type	Flat
Overall Length	21.00 in	Frame Length	3.42 in
Shaft Diameter	0.375 in	Shaft Extension	8.5X.38X8.5 in
Outline Drawing	DA2F7099-S01		

This is an uncontrolled document once printed or downloaded and is subject to change without notice. Date Created:04/19/2022

CUSTOMER IS SOLELY RESPONSIBLE FOR MOTOR PERFORMANCE AND SUITABILITY IN APPLICATIONS FOR CUSTOMER'S USES.



SHIP SEPARATE
 (1) 72T7176A-65
 BAG ASSEMBLY
 (1) 152T135-2
 RESILIENT BASE

SCHEMATIC-281

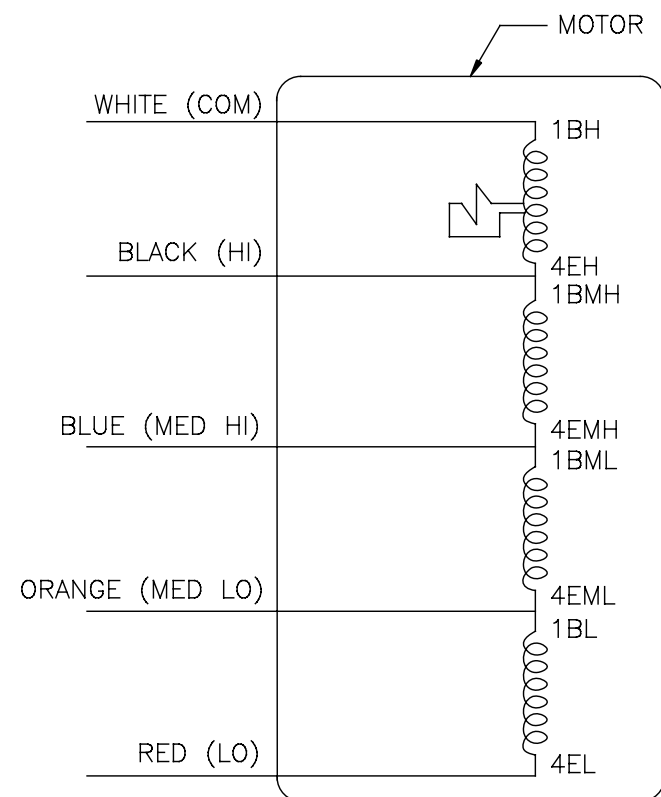
ROT.: - CCWLE
 NAMEPLATE DATA:



SER. DATE & P0# PLT LTR MOD DA2F099N" STK NO. DBL4412
 VOLTS 208-230 HZ 60 AMPS 2.11
 RPM 1550 SP 4 PH 1 CAP
 INS CL B AMB40°C HP 1/10 CONT. A.O. ← ROTATION →
 BRG SLV ASSEMBLED IN MEXICO

CONN. LABEL
 10004653-002-001

ELECTRICALLY PER
 SAMPLE 0441457C
 CURVE #32390



DRAWING REVISION F	REVISION BY C.ZHOU	DATE 10-27-2015	TOLERANCES UNLESS OTHERWISE SPECIFIED DEC. INCH mm ANGLE .XX ±0.02 [±0.51] ±0.5° .XXX ±0.005 [±0.127] .XXXX ±0.0005 [±0.0127]	DRAWN BY:	Regal Beloit America, Inc.
ECO ECO-0087749	APPROVED BY C.ZHANG	DATE 10-27-2015	REMOVE BURRS & BREAK SHARP EDGES .003/.015 [0.076/.381] CORNER FILLETS .02 [51] MACHINED SURFACES 125/3.2 INCH/mm	DATE:	
ECO DESCRIPTION @ZONE B2 CHANGE CONN LB TO 10004653-002-001				APPROVED BY:	DESCRIPTION MODEL-RFHP-42FR OUTLINE
<small>COPYRIGHT REGAL BELOIT AMERICA, INC. ALL RIGHTS RESERVED. PROPRIETARY AND CONFIDENTIAL INFORMATION - THIS DOCUMENT IS THE PROPERTY OF REGAL BELOIT AMERICA, INC. (OWNERS) AND CONTAINS OWNERS PROPRIETARY INFORMATION. ANY PERSON, CORPORATION OR OTHER FIRM RECEIVING IT IS DEEMED, BY RECEIVING IT, TO AGREE THAT IT, AND/OR ANY PART OF IT, SHALL NOT BE DISCLOSED TO ANY PERSON, CORPORATION OR OTHER ENTITY, DUPLICATED, AND/OR USED, EXCEPT AS EXPRESSLY APPROVED IN WRITING IN ADVANCE BY OWNER. THIS DOCUMENT SHALL BE RETURNED TO OWNER UPON REQUEST. IT MAY BE SUBJECT TO CERTAIN RESTRICTIONS UNDER APPLICABLE EXPORT CONTROL LAWS AND REGULATIONS.</small>				DATE:	MATERIAL
				REFERENCE	PROCESS/FINISH
				THIRD ANGLE PROJECTION	SIZE DWG NO C DA2F7099
					SHEET 1