

# PRODUCT INFORMATION PACKET



Model No: DBL6409

Catalog No: DBL6409

Fan Coil & Air Conditioner Motor, 1/10,1/15,1/20,1/25,1/30 HP, 1 Ph, 60 Hz, 115 V, 1050 RPM,  
5 Speed, 42 Frame, OAO



Regal and Century are trademarks of Regal Rexnord Corporation or one of its affiliated companies.  
©2022 Regal Rexnord Corporation, All Rights Reserved. MC017097E





**Nameplate Specifications**

Output HP	1/10,1/15,1/20,1/25,1/30 Hp	Output KW	0.07 kW
Frequency	60 Hz	Voltage	115 V
Current	3.5,2.8,2.2,1.9,1.6 A	Speed	1050 rpm
Service Factor	1	Phase	1
Duty	Air Over	Insulation Class	B
Frame	42Y	Enclosure	Open Air Over
Thermal Protection	Automatic	Ambient Temperature	40 °C
UL	Recognized	CSA	Y
CE	N	Number of Speeds	5

**Technical Specifications**

Electrical Type	Shaded Pole	Starting Method	Across The Line
Poles	6	Rotation	Counterclockwise Lead End
Mounting	Resilient Base	Motor Orientation	Horizontal
Drive End Bearing	Sleeve	Opp Drive End Bearing	Sleeve
Frame Material	Na	Shaft Type	Flat
Overall Length	24.00 in	Shaft Diameter	0.500 in
Shaft Extension	10.3X.5X10.3 in		
Connection Drawing	7574A87F01	Outline Drawing	11927-026

This is an uncontrolled document once printed or downloaded and is subject to change without notice. Date Created:11/28/2022

4

3

2

1

GENERAL INFORMATION:

SHAFT RUNOUT: .001[.03] T.I.R. PER INCH LENGTH OF EXTENSION

END PLAY: .010[.25] TO .063[1.60]

BEARINGS: SLEEVE

MOUNTING POSITION: HORIZONTAL

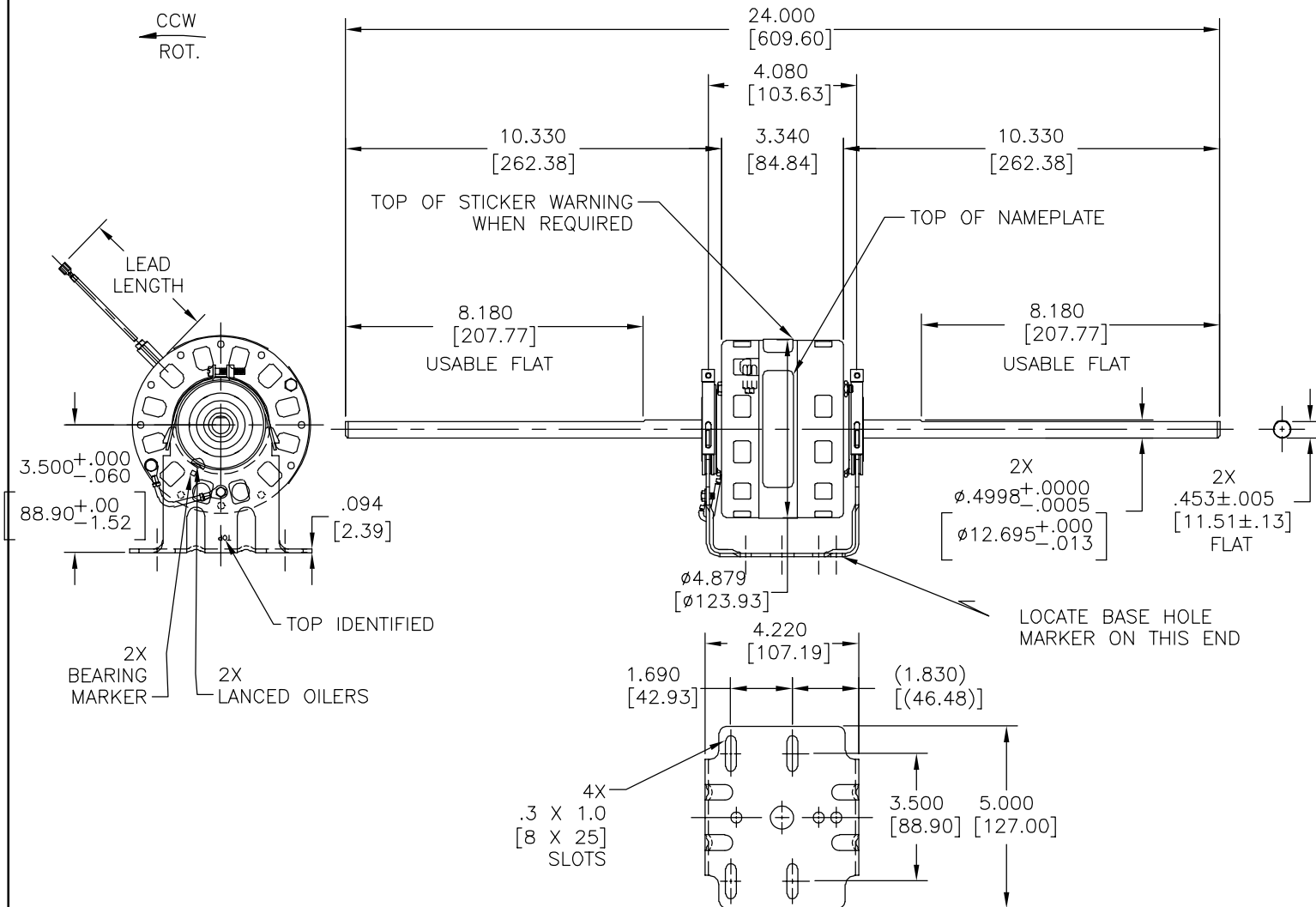
ELECTRICAL DATA:

OVERLOAD PROTECTOR: AUTOMATIC RESET (T.I. 7AM 304)

LEADS: NO. 18 GA., .03[.8] THK., 125°C INSULATION

GROUND LEAD: NO. 18 GA., .03[.8] THK., GREEN INSULATION

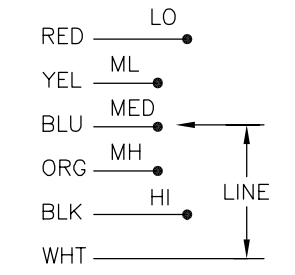
REV	ECO	REV BY	DATE	APPD	DATE
C	0025542	L.HEREDIA	04-24-2012	D.BALDERRAMA	04-24-2012



NAMEPLATE DATA:

EXTERNAL CONNECTION DIAGRAM

MODEL NO.: 326P120  
 CUST. P/N: DBL6409  
 HP: 1/10, 1/15, 1/20, 1/25, 1/30  
 ROT.: CCWLE  
 RPM: 1050/5 SPD  
 TYPE: FE  
 FRAME: 42Y  
 VOLTS: 115  
 PH: 1  
 AMPS: 3.5, 2.8, 2.2, 1.9, 1.6  
 HZ: 60  
 INS.: B\*  
 AMB.: 40° C  
 DUTY: AIR OVER  
 CAP.: -  
 ENCL.: -  
 UL LOGO  
 CSA LOGO  
 THERMALLY PROTECTED



GREEN (GRD)	CONNECTED TO BASE	#8 EYELET
RED	38.5/41.5 [978/1054]	.25[6.4] FEMALE SPADE
YELLOW	38.5/41.5 [978/1054]	.25[6.4] FEMALE SPADE
BLUE	38.5/41.5 [978/1054]	.25[6.4] FEMALE SPADE
ORANGE	38.5/41.5 [978/1054]	.25[6.4] FEMALE SPADE
BLACK	38.5/41.5 [978/1054]	.25[6.4] FEMALE SPADE
WHITE	38.5/41.5 [978/1054]	.25[6.4] FEMALE SPADE
COLOR	LENGTH	TERMINAL OR STRIP LENGTH

MAIN FRAME - OLE	OPEN
END FRAME - OLE	OPEN
MAIN FRAME - LE	OPEN
END FRAME - LE	OPEN

CUSTOMER	DISTRIBUTION SERVICE
----------	----------------------

PERFORMANCE CURVE NO.	TORSION @ 11050 RPM (50°C)	APPROVED SAMPLE	UL COMPONENT	CSA
-	8.0 OZ. FT.	PSE 7418	FILE # CCN # FILE # CLASS #	E46412 PRGY2 LR43341 4211-01

GEOMETRIC CHARACTERISTICS & SYMBOLS  
 □ FLATNESS  
 - STRAIGHTNESS  
 < ANGULARITY  
 ⊥ PERPENDICULARITY (SQUARENESS)  
 // PARALLELISM  
 ○ ROUNDNESS (CIRCULARITY)  
 ∅ CYLINDRICITY  
 △ PROFILE OF ANY SURFACE  
 ∩ PROFILE OF ANY LINE  
 ↗ RUNOUT  
 ⊕ TRUE POSITION  
 ⊙ CONCENTRICITY  
 = SYMMETRY  
 ASME Y14.5M 1994

REGAL-BELOIT CORPORATION (RBC) PROVIDES TECHNICAL ASSISTANCE TO OUR CUSTOMERS IN SEVERAL AREAS. SINCE RBC DOES NOT RECEIVE ALL DATA CONCERNING THE USE AND APPLICATION OF THE MOTOR, THE SUITABILITY OF THE MOTOR FOR THE APPLICATION MUST BE DETERMINED BY THE CUSTOMER.  
 DIMENSIONS WITHOUT TOLERANCES ARE FOR REFERENCE ONLY.

DR BY: RUPERT 02-22-1996  
 APPD: -  
 THIRD ANGLE PROJECTION  
 EDS DATE 11-11-2011  
 FORMAT REV G  
 CONFIDENTIAL: THIS DRAWING AND ITS INFORMATION ARE THE EXCLUSIVE AND CONFIDENTIAL PROPERTY OF REGAL-BELOIT CORPORATION AND ARE NOT TO BE DISCLOSED, DUPLICATED, DISTRIBUTED OR OTHERWISE USED WITHOUT THE WRITTEN CONSENT OF REGAL-BELOIT CORPORATION. -ALL RIGHTS RESERVED.

REGAL-BELOIT CORPORATION	
DESCRIPTION	OUTLINE
SIZE C	DWG NO 11927-026
SCALE NONE	SHEET 1

4

3

2

1

4

3

2

1

REVISION:	ECO	REVISADO POR:	FECHA:	APROBADO POR:	FECHA:
C	0025542	L.HEREDIA	04-24-2012	D.BALDERRAMA	04-24-2012

INFORMACION GENERAL:

OSCILACION DE FLECHA:

JUEGO AXIAL:

BALEROS:

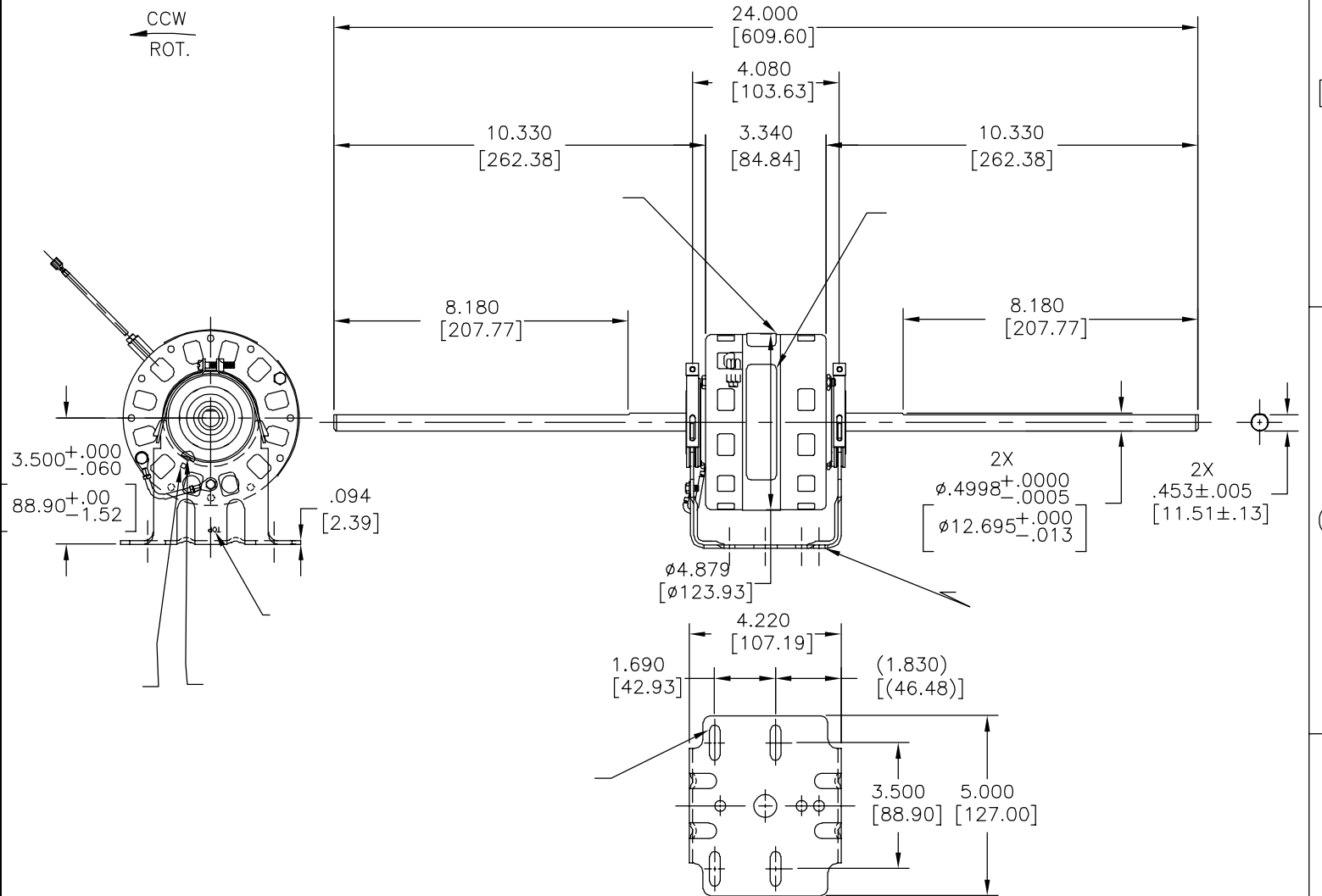
POSICION DEL MONTAJE:

INFORMACION ELECTRICA:

PROTECTOR DE SOBRECARGA

CABLES:

CABLE DE TIERRA:



INFORMACION DE ETIQUETA:	DIAGRAMA DE CONEXION EXTRNA
MODEL NO.: 326P120 CUST. P/N: DBL6409 HP: 1/10, 1/15, 1/20, 1/25, 1/30 ROT.: CCWLE RPM: 1050/5 SPD TYPE: FE FRAME: 42Y VOLTS: 115 PH: 1 AMPS: 3.5, 2.8, 2.2, 1.9, 1.6 HZ: 60 INS.: B* AMB.: 40° C DUTY: AIR OVER CAP.: - ENCL.: - UL LOGO CSA LOGO THERMALLY PROTECTED	

	CONNECTED TO BASE
	38.5/41.5 [978/1054]
	38.5/41.5 [978/1054]
	38.5/41.5 [978/1054]
	38.5/41.5 [978/1054]
	38.5/41.5 [978/1054]
	38.5/41.5 [978/1054]
	38.5/41.5 [978/1054]
	38.5/41.5 [978/1054]
COLOR	LONGITUD
	LONGITUD DE DESFORRE

CARCASA - LOC	-
TAPA - LOC	-
CARCASA - LC	-
TAPA - LC	-

CLIENTE	DISTRIBUTION SERVICE
---------	----------------------

CURVAS DE FUNCIONAMIENTO	MUESTRA APROBADA	COMPONENTE UL	CSA
-	PSE 7418	#ARCHIVO CCN # #ARCHIVO CLASE #	
8.0 OZ. FT.		E46412 PRGY2 LR43341 4211-01	

CARACTERISTICAS DE GEOMETRIA Y SIMBOLOS  
 ✓ PLANICIDAD  
 - RECTITUD  
 < ANGULARIDAD  
 ⊥ PERPENDICULARIDAD (A ESCUADRA)  
 // PARALELISMO  
 ○ REDONDEZ (CIRCULARIDAD)  
 ∅ CILINDRICIDAD  
 △ PERFIL DE CUALQUIER SUPERFICIE  
 ▲ PERFIL DE CUALQUIER LINEA  
 ↗ VARIACION  
 ⊕ POSICION REAL  
 ⊙ CONCENTRICIDAD  
 = SIMETRIA  
 ASME Y14.5M 1994

REGAL-BELOIT CORPORATION (RBC) PROVEE ASISTENCIA TECNICA A NUESTROS CLIENTES EN VARIAS AREAS. DESDE QUE RBC NO RECIBE TODOS LOS DATOS EN RELACION AL USO Y A LA APLICACION DEL MOTOR, LA APLICACION ADECUADA DEL MOTOR DEBE SER DETERMINADA POR EL CLIENTE.

DIMENSIONES SIN TOLERANCIA SON DE REFERENCIA SOLAMENTE

DIBUJADO POR:	RUPERT	02-22-1996
APROBADO POR:	-	-
TERCER ANGULO DE PROYECCION	⊕	FECHA EDS: 11-11-2011 REV. FORMATO: G
CONFIDENCIAL: ESTE DIBUJO Y SU INFORMACION SON PROPIEDAD DE USO EXCLUSIVO Y CONFIDENCIAL DE REGAL-BELOIT CORPORATION. Y NO DEBERAN SER REVELADOS, DUPLICADOS, DISTRIBUIDOS O USARSE DE OTRA MANERA SIN EL CONSENTIMIENTO ESCRITO DE REGAL-BELOIT CORPORATION. -TODOS LOS DERECHOS RESERVADOS.		

DESCRIPCION: OUTLINE	
TAMAÑO: C	NUMERO DE DIBUJO: 11927-026
ESCALA: NONE	HOJA: 1

4

3

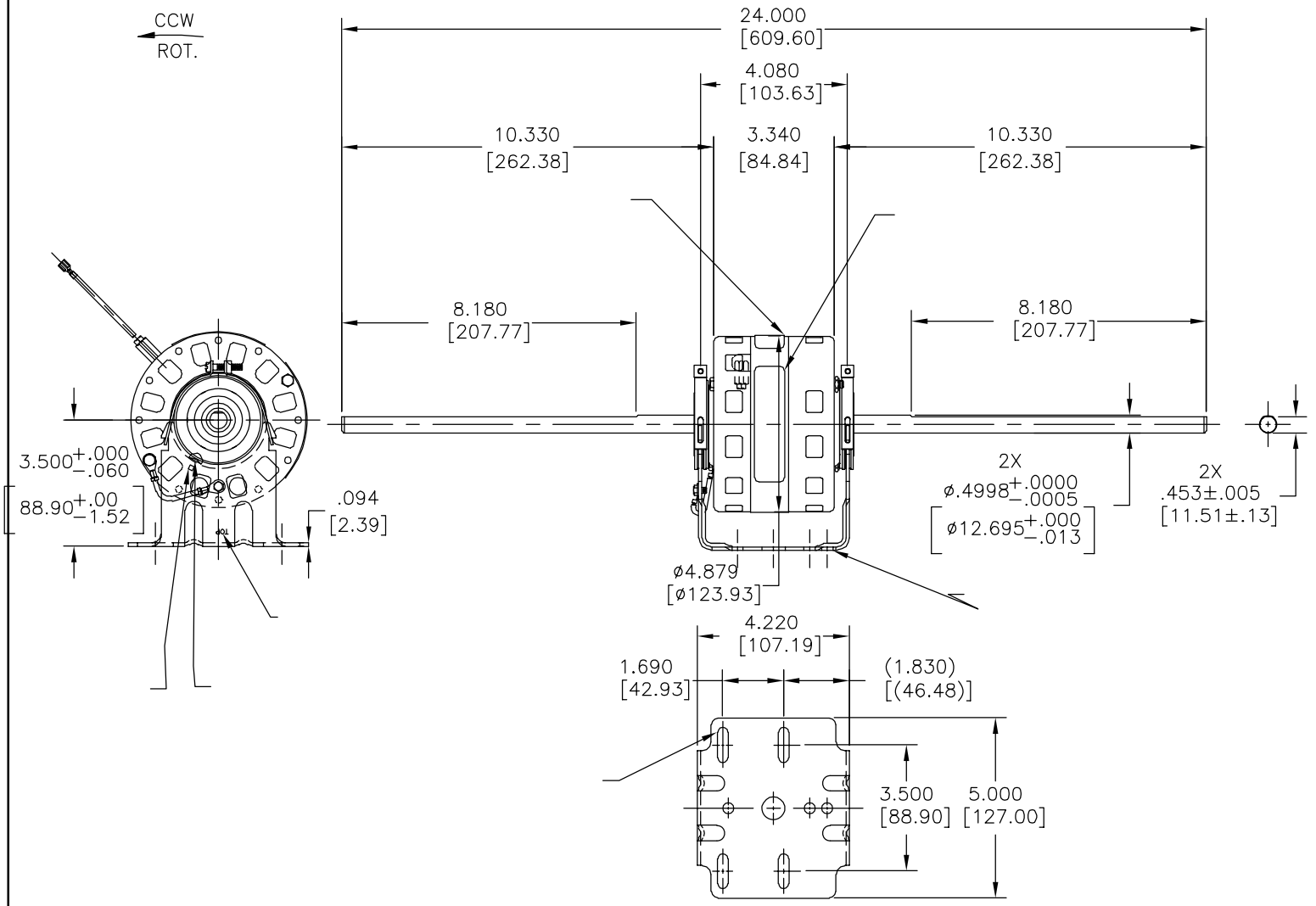
2

1

4 3 2 1

版本	ECO	编制	日期	批准	日期
C	0025542	L.HEREDIA	04-24-2012	D.BALDERRAMA	04-24-2012

总技术要求:  
轴跳动:  
端部窜动量  
轴承:  
安装位置:  
电气数据:  
过载保护:  
引线:  
接地线:



铭牌数据	外部数据线
MODEL NO.: 326P120 CUST. P/N: DBL6409 HP: 1/10, 1/15, 1/20, 1/25, 1/30 ROT.: CCWLE RPM: 1050/5 SPD TYPE: FE FRAME: 42Y VOLTS: 115 PH: 1 AMPS: 3.5, 2.8, 2.2, 1.9, 1.6 HZ: 60 INS.: B* AMB.: 40° C DUTY: AIR OVER CAP.: - ENCL.: - UL LOGO CSA LOGO THERMALLY PROTECTED	LO ML MED MH HI LINE WHT

	CONNECTED TO BASE	
	38.5/41.5	
	[978/1054]	
	38.5/41.5	
	[978/1054]	
	38.5/41.5	
	[978/1054]	
	38.5/41.5	
	[978/1054]	
	38.5/41.5	
	[978/1054]	
颜色	长度	端子或剥线长度

无引线端机壳	
无引线端端盖	
有引线端机壳	
有引线端端盖	

性能曲线编号	转矩在 @ RPM (25° C)	批准样品	UL部件		CSA	
-	8.0 OZ. FT.	PSE 7418	文件号	指南	文件号	指南
			E46412	PRGY2	LR43341	4211-01

- 形位公差
- 平面度
- 直线度
- ∠ 倾斜度
- ⊥ 垂直度
- // 平行度
- 圆度
- ⊘ 圆柱度
- △ 面轮廓度
- ∩ 线轮廓度
- ∧ 圆跳动
- ⊕ 位置度
- ◎ 同轴度
- ≡ 对称度

ASME Y14.5M 1994

REGAL-BELOIT CORPORATION (RBC) 在个别领域为客户提供技术支持。鉴于RBC未收到任何涉及电机使用和应用环境的数据，电机的适用性由客户自己决定。

未注公差尺寸仅供参考。

绘图:	RUPERT	02-22-1996
批准:	-	-
第三角投影		图纸格式发布日期 11-11-2011 图纸格式版本 G
机密: 本图纸及相关信息所有权归REGAL-BELOIT CORPORATION。未经REGAL-BELOIT CORPORATION书面授权, 不得泄露、复制、传播或作其他用途。—版权所有		

名称 OUTLINE	
图幅 C	图号 11927-026
比例 NONE	页号 1

4 3 2 1