

PRODUCT INFORMATION PACKET



Model No: DBL6501
Catalog No: DBL6501
Fan Coil & Air Conditioner Motor, 1/10,1/12,1/15,1/20 HP, 1 Ph, 60 Hz, 115 V, 1075 RPM, 4 Speed,
42 Frame, OPEN



Regal and Century are trademarks of Regal Rexnord Corporation or one of its affiliated companies.
©2023 Regal Rexnord Corporation, All Rights Reserved. MC017097E





Nameplate Specifications

Phase	1	Output HP	1/10,1/12,1/15,1/20 Hp
Output KW	0.07 kW	Voltage	115 V
Speed	1075 rpm	Service Factor	1
Frame	42Y	Enclosure	Open Enclosed
Thermal Protection	Automatic	Ambient Temperature	40 °C
Frequency	60 Hz	Current	1.7,1.6,0.9,0.8 A
Duty	Air Over	Insulation Class	A
UL	Recognized	CSA	Y
CE	N	Number of Speeds	4

Technical Specifications

Electrical Type	Permanent Split Capacitor	Starting Method	Across The Line
Poles	6	Rotation	Counterclockwise Lead End
Mounting	Resilient Rings	Motor Orientation	Horizontal
Drive End Bearing	Sleeve	Opp Drive End Bearing	Sleeve
Frame Material	Na	Shaft Type	Flat
Overall Length	24.00 in	Shaft Diameter	0.500 in
Shaft Extension	10.3X.5X10.3 in		
Outline Drawing	11927-021-S01	Connection Drawing	7553A19F01

This is an uncontrolled document once printed or downloaded and is subject to change without notice. Date Created:04/25/2023

REV	ECO	REV BY	DATE	APPD	DATE
E	0026394	H.ZHOU	05-29-2012	B.SHEN	05-29-2012

GENERAL INFORMATION:

SHAFT RUNOUT: .001 [.03] T.I.R. PER INCH LENGTH OF EXTENSION

END PLAY: .010[.25] TO .063[1.60]

BEARINGS: SLEEVE

MOUNTING POSITION: HORIZONTAL

ELECTRICAL DATA:

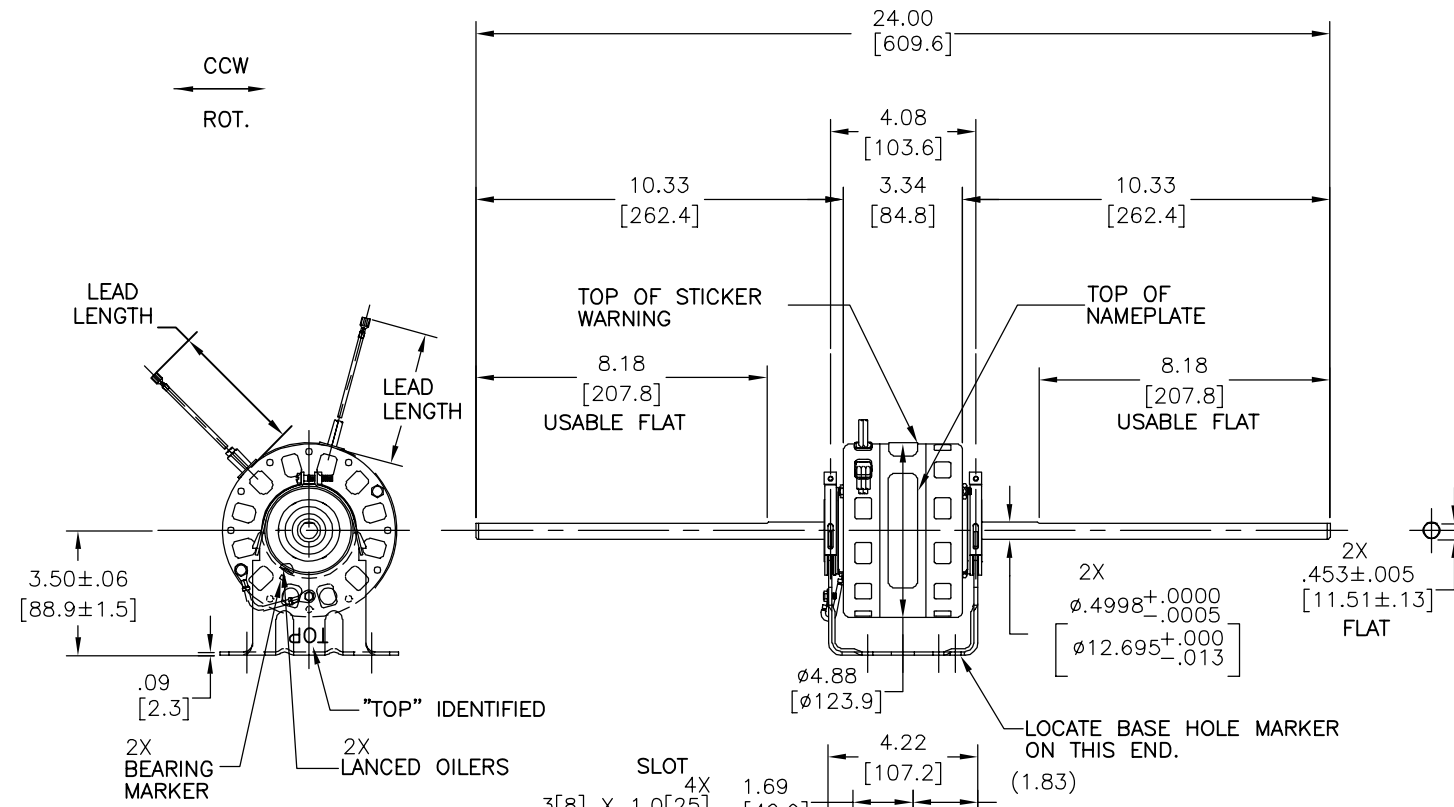
OVERLOAD PROTECTOR: AUTOMATIC RESET (T.I. 7AM 034)

LEADS: NO. 18 GA., .06 [1.5] THK., 125°C INSUL.

GROUND LEAD: NO. 18 GA., .03 [.8] THK., GREEN INSUL.

NOTE:
DISTRIBUTION: CUST. P/N: DBL6S01
GRAINGER: CUST. P/N: 3M771

SEE NOTE



GREEN(GRD)	CONNECTED TO BASE	#8 EYELET
BROWN	23/25 [584/635]	.25[6.4] FEMALE SPADE
BROWN	23/25 [584/635]	.25[6.4] FEMALE SPADE
RED	38.5/41.5 [978/1054]	.25[6.4] FEMALE SPADE
BLUE	38.5/41.5 [978/1054]	.25[6.4] FEMALE SPADE
YELLOW	38.5/41.5 [978/1054]	.25[6.4] FEMALE SPADE
BLACK	38.5/41.5 [978/1054]	.25[6.4] FEMALE SPADE
WHITE	38.5/41.5 [978/1054]	.25[6.4] FEMALE SPADE
COLOR	LENGTH	TERMINAL OR STRIP LENGTH

MAIN FRAME - OLE	OPEN
END FRAME - OLE	OPEN
MAIN FRAME - LE	OPEN
END FRAME - LE	OPEN

CUSTOMER	DISTRIBUTION SERVICES
----------	-----------------------

LEAD DATA

DR BY:	J.RUPERT	02-19-1996
APPD:	W.HEAL	03-01-1996
THIRD ANGLE PROJECTION	EDS DATE 11-11-2011 FORMAT REV H	
CONFIDENTIAL: THIS DRAWING AND ITS INFORMATION ARE THE EXCLUSIVE AND CONFIDENTIAL PROPERTY OF REGAL-BELOIT CORPORATION AND ARE NOT TO BE DISCLOSED, DUPLICATED, DISTRIBUTED OR OTHERWISE USED WITHOUT THE WRITTEN CONSENT OF REGAL-BELOIT CORPORATION. -ALL RIGHTS RESERVED.		

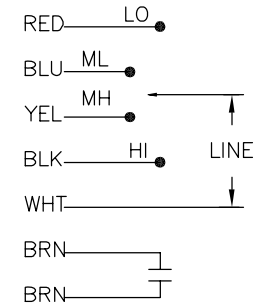
ENCLOSURE

REGAL-BELOIT CORPORATION	
DESCRIPTION	
OUTLINE DISTRIBUTION SERVICES	
SIZE	C
DWG NO	11927-021
SCALE	NONE
SHEET	1

NAMEPLATE DATA:

MODEL NO.: F42D58A01
CUST. P/N: []
HP: 1/10,1/12,1/15,1/20
ROT.: CCWLE
RPM: 1075/4 SPD
TYPE: FLL
FRAME: 42Y
VOLTS: 115
PH: 1
AMPS: 1.7,1.6,0.9,0.8
HZ: 60
INS.: A
AMB.: 40° C
DUTY: AIR OVER
CAP.: 5 MFD/370V
ENCL: -
UL LOGO
CSA LOGO
THERMALLY PROTECTED

EXTERNAL CONNECTION DIAGRAM



PERFORMANCE CURVE NO.	TORQUE @ 1075 RPM (25°C)	APPROVED SAMPLE	UL COMPONENT FILE #	CCN #	CSA FILE #	CLASS #
C31745	10.6 OZ. FT.	98AC386B	E46412	PRGY2	LR43341	260-φ-0

GEOMETRIC CHARACTERISTICS & SYMBOLS

- ▭ FLATNESS
- STRAIGHTNESS
- ∠ ANGULARITY
- ⊥ PERPENDICULARITY (SQUARENESS)
- ∥ PARALLELISM
- ROUNDNESS (CIRCULARITY)
- ∅ CYLINDRICITY
- △ PROFILE OF ANY SURFACE
- ∩ PROFILE OF ANY LINE
- ∧ RUNOUT
- ⊕ TRUE POSITION
- ⊙ CONCENTRICITY
- ≡ SYMMETRY

ASME Y14.5M 1994

REGAL-BELOIT CORPORATION (RBC) PROVIDES TECHNICAL ASSISTANCE TO OUR CUSTOMERS IN SEVERAL AREAS. SINCE RBC DOES NOT RECEIVE ALL DATA CONCERNING THE USE AND APPLICATION OF THE MOTOR, THE SUITABILITY OF THE MOTOR FOR THE APPLICATION MUST BE DETERMINED BY THE CUSTOMER.

DIMENSIONS WITHOUT TOLERANCES ARE FOR REFERENCE ONLY.

4

3

2

1

INFORMACION GENERAL:

OSCILACION DE FLECHA: .001 [.03] L.T.I. LONGITUD DE EXTENSION POR PULGADA

JUEGO AXIAL: .010[.25] A .063[1.60]

BALEROS: MANGA

POSICION DEL MONTAJE: HORIZONTAL

INFORMACION ELECTRICA:

PROTECTOR DE SOBRECARGA: REINICIO AUTOMATICO (T.I. 7AM 304)

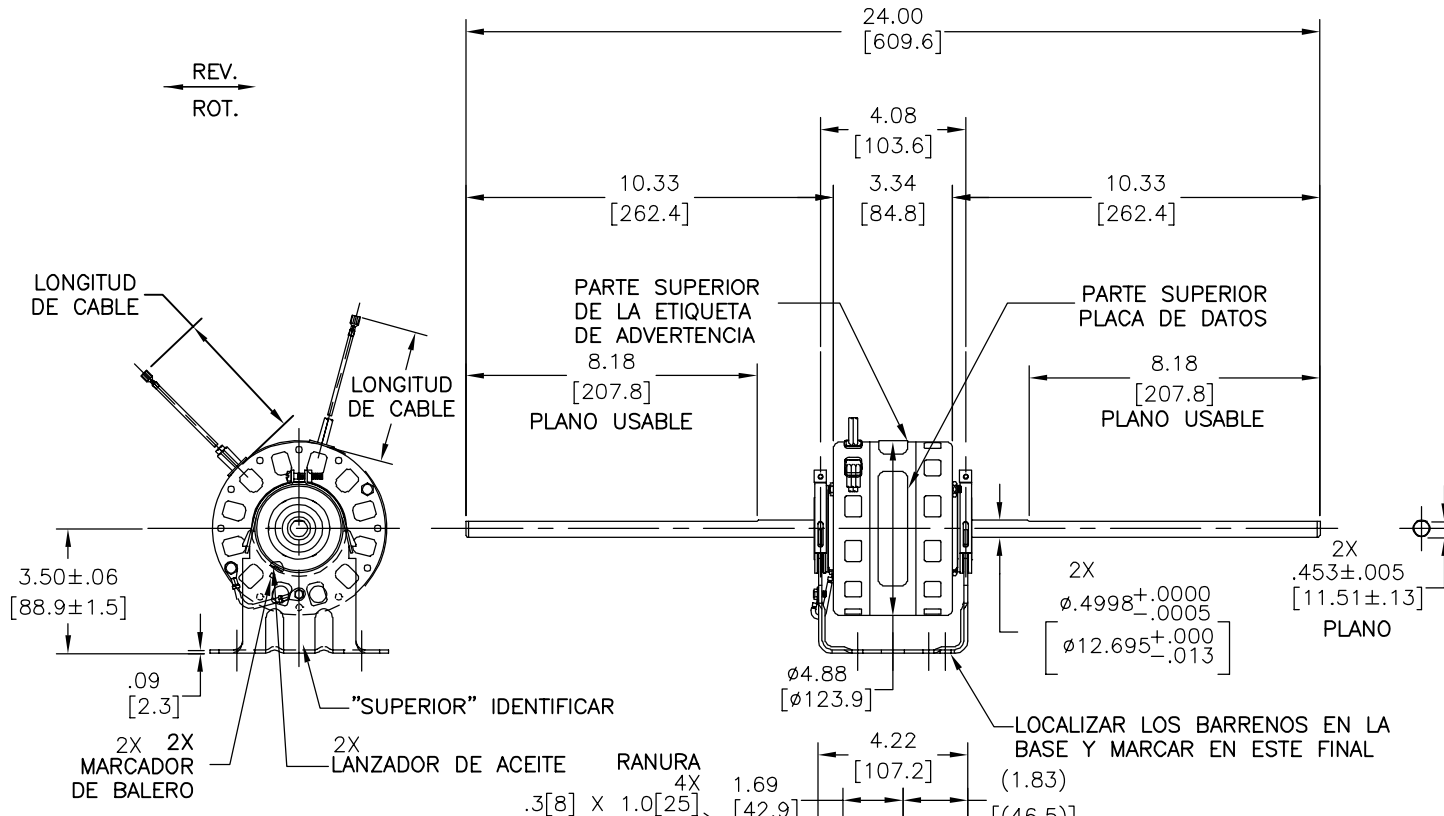
CABLES: CAL. NO. 18, .03 [.8] ESPESOR 125°C AISLANTE

CABLE DE TIERRA: CAL. NO. 18, .03 [.8] ESPESOR (VERDE) AISLANTE

NOTA:
DISTRIBUCION: N/P CLIENTE: DBL6S01
GRAINGER: N/P CLIENTE: 3M771

VER NOTA

REVISION:	ECO	REVISADO POR:	H.ZHOU	FECHA:	05-29-2012	APROBADO POR:	B.SHEN	FECHA:	05-29-2012
E	0026394								



VERDE (TIERRA)	CONECTADO A LA BASE	OJAL
	23/25	.25[6.4] TERMINAL HEMBRA
CAFE	[584/635]	.25[6.4] TERMINAL HEMBRA
CAFE	[584/635]	.25[6.4] TERMINAL HEMBRA
ROJO	38.5/41.5	.25[6.4] TERMINAL HEMBRA
ROJO	[978/1054]	.25[6.4] TERMINAL HEMBRA
AZUL	38.5/41.5	.25[6.4] TERMINAL HEMBRA
AZUL	[978/1054]	.25[6.4] TERMINAL HEMBRA
AMARILLO	38.5/41.5	.25[6.4] TERMINAL HEMBRA
AMARILLO	[978/1054]	.25[6.4] TERMINAL HEMBRA
NEGRO	38.5/41.5	.25[6.4] TERMINAL HEMBRA
NEGRO	[978/1054]	.25[6.4] TERMINAL HEMBRA
BLANCO	38.5/41.5	.25[6.4] TERMINAL HEMBRA
BLANCO	[978/1054]	.25[6.4] TERMINAL HEMBRA
COLOR	LONGITUD	TERMINAL O LONGITUD DE DESFORRE

CARCASA - LOC	ABIERTO
TAPA - LOC	ABIERTO
CARCASA - LC	ABIERTO
TAPA - LC	ABIERTO

CLIENTE	DISTRIBUTION SERVICES
---------	-----------------------

INFORMACION DE ETIQUETA:

MODEL NO.: F42D58A01
CUST. P/N: []
HP: 1/10,1/12,1/15,1/20
ROT.: CCWLE
RPM: 1075/4 SPD
TYPE: FLL
FRAME: 42Y
VOLTS: 115
PH: 1
AMPS: 1.7,1.6,0.9,0.8
HZ: 60
INS.: A
AMB.: 40° C
DUTY: AIR OVER
CAP.: 5 MFD/370V
ENCL: -
UL LOGO
CSA LOGO
THERMALLY PROTECTED

DIAGRAMA DE CONEXION EXTRNA

RED — LO
BLU — ML
YEL — MH
BLK — HI — LINE
WHT —
BRN —
BRN —

CURVAS DE FUNCIONAMIENTO	TORSION @1075 RPM (25°C)	MUESTRA APROBADA	COMPONENTE UL		CSA	
			#ARCHIVO	CCN #	#ARCHIVO	CLASE #
C31745	10.6 OZ. FT.	98AC386B	E46412	PRGY2	LR43341	260-ø-0

CARACTERISTICAS DE GEOMETRIA Y SIMBOLOS

□ PLANICIDAD
— RECTITUD
∠ ANGULARIDAD
⊥ PERPENDICULARIDAD (A ESCUADRA)
∥ PARALELISMO
○ REDONDEZ (CIRCULARIDAD)
∅ CILINDRICIDAD
△ PERFIL DE CUALQUIER SUPERFICIE
∇ PERFIL DE CUALQUIER LINEA
∧ VARIACION
⊕ POSICION REAL
⊙ CONCENTRICIDAD
≡ SIMETRIA

ASME Y14.5M 1994

A MENOS QUE SE ESPECIFIQUE (RBC) OTRA MANERA ASISTENCIA TECNICA A NUESTROS CLIENTES EN VARIAS AREAS. PUEDE QUE RBC NO RECIBAMOS LOS DATOS EN RELACIONAL USO Y A LA 50 LUGAR DEL MOTOR LA ELIMINAR RBC DE CUALQUIER MOTOR DEL MOTOR SER DETERMINADA POR EL PULG. 003-011 EN 0.1-0.4 FILETEAR ESQUINAS EN 0.20 mm 0.5 MAQUINAR SUPERFICIES DE REFERENCIA SOLAMENTE DIMS METRICAS MOSTRADAS [PARENTESIS]

DIBUJADO POR: J.RUPERT 02-19-1996
APROBADO POR: W.HEAL 03-01-1996
FECHA EDS: 11-11-2011
REV. FORMATO: H
DESCRIPCION: OUTLINE DISTRIBUTION SERVICES
TAMAÑO: C **NUMERO DE DIBUJO:** 11927-021
ESCALA: NONE **HOJA:** 1

CONFIDENCIAL: ESTE DIBUJO Y SU INFORMACION SON PROPIEDAD DE USO EXCLUSIVO Y CONFIDENCIAL DE REGAL-BELOIT CORPORATION. Y NO DEBERAN SER REVELADOS, DUPLICADOS, DISTRIBUIDOS O USARSE DE OTRA MANERA SIN EL CONSENTIMIENTO ESCRITO DE REGAL-BELOIT CORPORATION. -TODOS LOS DERECHOS RESERVADOS.

REGAL REGAL-BELOIT CORPORATION

DESCRIPCION: OUTLINE DISTRIBUTION SERVICES

TAMAÑO: C NUMERO DE DIBUJO: 11927-021

ESCALA: NONE HOJA: 1

4

3

2

1

