

PRODUCT INFORMATION PACKET



Model No: DBL6524
Catalog No: DBL6524

Fan Coil & Air Conditioner Motor, 1/4 HP, 1 Ph, 60 Hz, 115 V, 1050 RPM, 3 Speed, 42 Frame, OPEN



Regal and Century are trademarks of Regal Rexnord Corporation or one of its affiliated companies.
©2023 Regal Rexnord Corporation, All Rights Reserved. MC017097E





Nameplate Specifications

Output HP	1/4 Hp	Output KW	0.19 kW
Frequency	60 Hz	Voltage	115 V
Current	5.6 A	Speed	1050 rpm
Service Factor	1	Phase	1
Duty	Air Over	Insulation Class	B
Frame	42Y	Enclosure	Open Enclosed
Thermal Protection	Automatic	Ambient Temperature	40 °C
UL	Recognized	CSA	Y
CE	N	Number of Speeds	3

Technical Specifications

Electrical Type	Permanent Split Capacitor	Starting Method	Across The Line
Poles	6	Rotation	Counterclockwise Lead End
Mounting	Resilient Base	Motor Orientation	Horizontal
Drive End Bearing	Sleeve	Opp Drive End Bearing	Sleeve
Frame Material	Na	Shaft Type	Flat
Overall Length	24.00 in	Shaft Diameter	0.500 in
Shaft Extension	10.0X.5X10.0 in		
Outline Drawing	322P984-OL	Connection Drawing	7552A94F01

This is an uncontrolled document once printed or downloaded and is subject to change without notice. Date Created:02/16/2023

4

3

2

1

GENERAL INFORMATION:

SHAFT RUNOUT: .001[.03] T.I.R. PER INCH LENGTH OF EXTENSION.

END PLAY: .010[.25] TO .063[1.60]

BEARINGS: SLEEVE

MOUNTING POSITION: HORIZONTAL

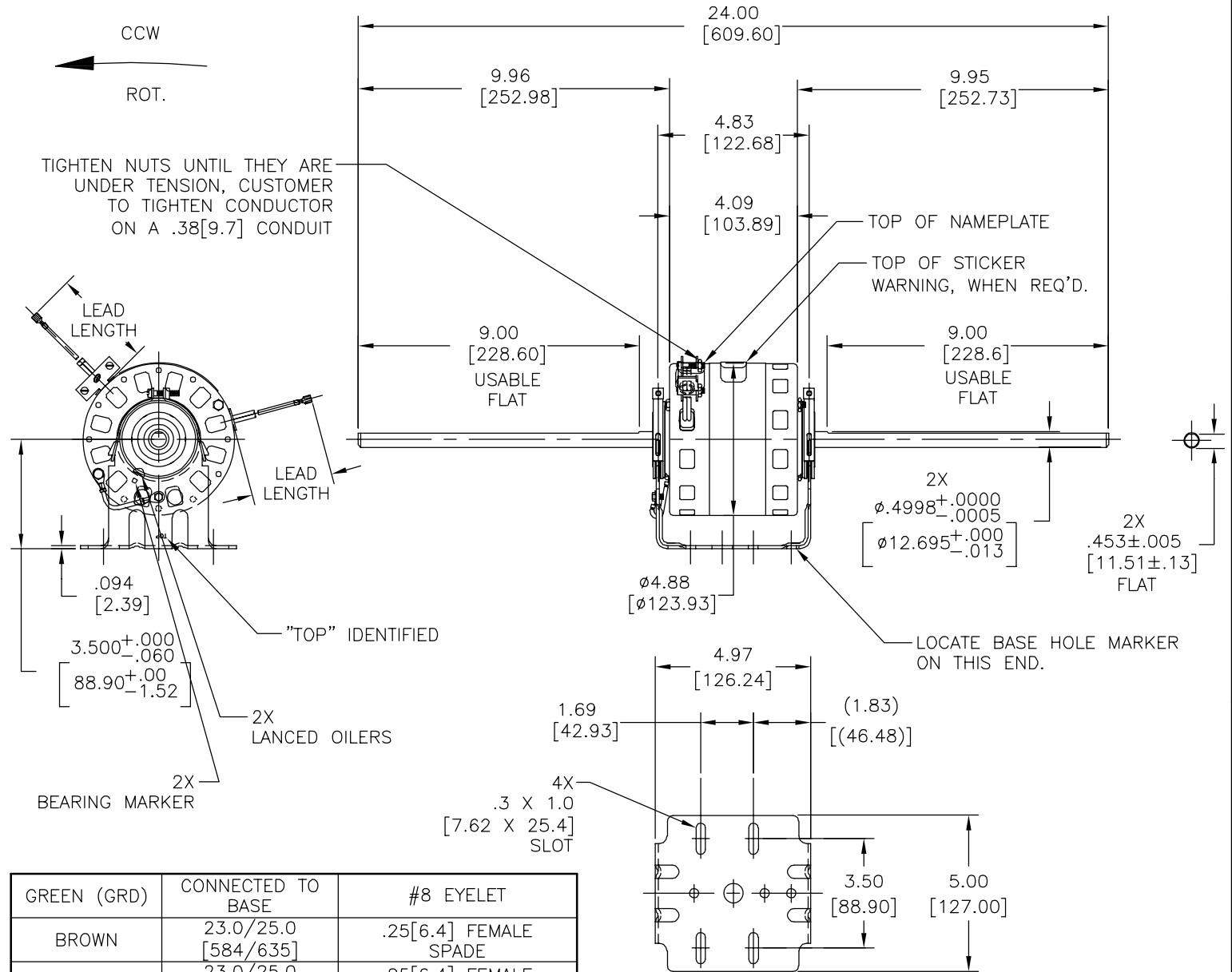
ELECTRICAL DATA:

OVERLOAD PROTECTOR: AUTOMATIC RESET (T.I. 7AM 034)

LEADS: NO. 18 GA., .03[.8] THK., 125°C INSUL.

GROUND LEAD: NO. 18 GA., .03[.8] THK., GREEN INSUL.

REV	ECO	REV BY	DATE	APPD	DATE
C	0025542	L.HEREDIA	04-25-2012	D.BALDERRAMA	04-25-2012



GREEN (GRD)	CONNECTED TO BASE	#8 EYELET
BROWN	23.0/25.0 [584/635]	.25[6.4] FEMALE SPADE
BROWN	23.0/25.0 [584/635]	.25[6.4] FEMALE SPADE
RED	38.5/41.5 [978/1054]	.25[6.4] FEMALE SPADE
BLUE	38.5/41.5 [978/1054]	.25[6.4] FEMALE SPADE
BLACK	38.5/41.5 [978/1054]	.25[6.4] FEMALE SPADE
WHITE	38.5/41.5 [978/1054]	.25[6.4] FEMALE SPADE
COLOR	LENGTH	TERMINAL OR STRIP LENGTH

MAIN FRAME - OLE	OPEN
END FRAME - OLE	OPEN
MAIN FRAME - LE	OPEN
END FRAME - LE	OPEN

CUSTOMER	DISTRIBUTION SERVICE
----------	----------------------

NAMEPLATE DATA:	EXTERNAL CONNECTION DIAGRAM
MODEL NO.: 322P984 CUST. P/N: DBL6524 HP: 1/4 ROT.: CCWLE RPM: 1050/3 SPD. TYPE: FLL FRAME: 42Y VOLTS: 115 PH: 1 AMPS: 5.6 HZ: 60 INS.: B* AMB.: 40' DUTY: AIR OVER CAP.: 7.5 MFD/370 V ENCL: - UL LOGO CSA LOGO THERMALLY PROTECTED TYPE C	

PERFORMANCE CURVE NO.	TORQUE @ 1050 RPM (25°C)	APPROVED SAMPLE	UL COMPONENT	CSA
C30337	30.0 OZ. FT.	89AC011D	FILE # CCN # FILE # CLASS #	E46412 PRGY2 LR43341 4211-01

GEOMETRIC CHARACTERISTICS & SYMBOLS

- ▮ FLATNESS
- STRAIGHTNESS
- ∠ ANGULARITY
- ⊥ PERPENDICULARITY (SQUARENESS)
- // PARALLELISM
- ROUNDNESS (CIRCULARITY)
- ⊘ CYLINDRICITY
- △ PROFILE OF ANY SURFACE
- ∩ PROFILE OF ANY LINE
- ↗ RUNOUT
- ⊕ TRUE POSITION
- ◎ CONCENTRICITY
- ≡ SYMMETRY

ASME Y14.5M 1994

REGAL-BELOIT CORPORATION (RBC) PROVIDES TECHNICAL ASSISTANCE TO OUR CUSTOMERS IN SEVERAL AREAS. SINCE RBC DOES NOT RECEIVE ALL DATA CONCERNING THE USE AND APPLICATION OF THE MOTOR, THE SUITABILITY OF THE MOTOR FOR THE APPLICATION MUST BE DETERMINED BY THE CUSTOMER.

DIMENSIONS WITHOUT TOLERANCES ARE FOR REFERENCE ONLY.

DR BY: RUPERT 02-21-1996

APPD: -

THIRD ANGLE PROJECTION

EDS DATE 11-11-2011
FORMAT REV G

CONFIDENTIAL: THIS DRAWING AND ITS INFORMATION ARE THE EXCLUSIVE AND CONFIDENTIAL PROPERTY OF REGAL-BELOIT CORPORATION AND ARE NOT TO BE DISCLOSED, DUPLICATED, DISTRIBUTED OR OTHERWISE USED WITHOUT THE WRITTEN CONSENT OF REGAL-BELOIT CORPORATION. -ALL RIGHTS RESERVED.

DESCRIPTION	OUTLINE
SIZE	C
DWG NO	322P984-0L
SCALE	NONE
SHEET	1

4

3

2

1

4

3

2

1

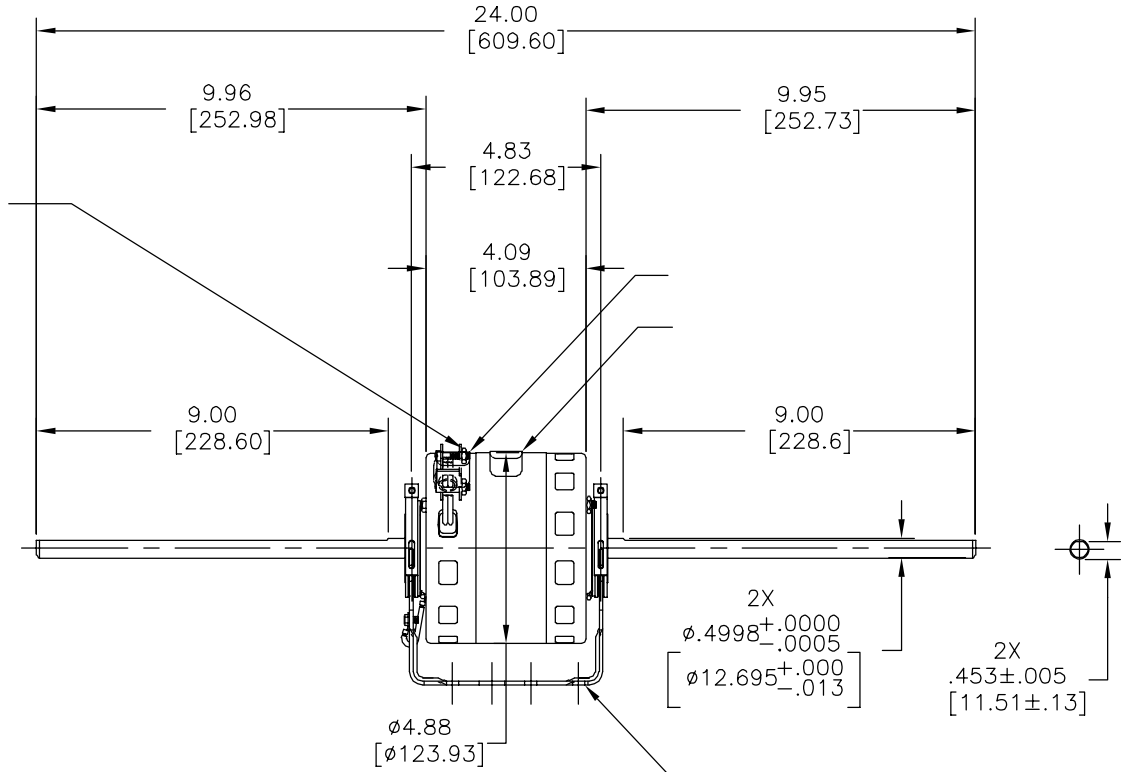
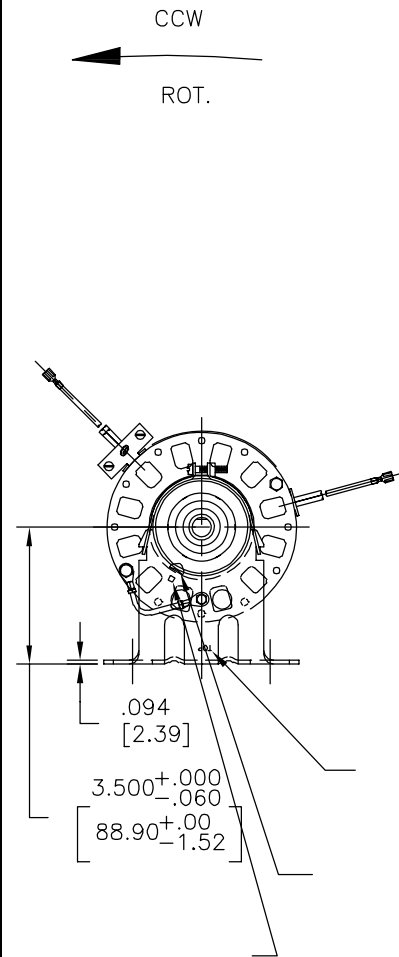
REVISION:	ECO	REVISADO POR:	FECHA:	APROBADO POR:	FECHA:
C	0025542	L.HEREDIA	04-25-2012	D.BALDERRAMA	04-25-2012

INFORMACION GENERAL:

- OSCILACION DE FLECHA: -
- JUEGO AXIAL: -
- BALEROS: -
- POSICION DEL MONTAJE: -

INFORMACION ELECTRICA:

- PROTECTOR DE SOBRECARGA: -
- CABLES: -
- CABLE DE TIERRA: -



	23.0/25.0	
	[584/635]	
	23.0/25.0	
	[584/635]	
-	38.5/41.5	-
	[978/1054]	
-	38.5/41.5	-
	[978/1054]	
-	38.5/41.5	-
	[978/1054]	
-	38.5/41.5	-
	[978/1054]	
COLOR	LONGITUD	TERMINAL O LONGITUD DE DESFORRE

CARCASA - LOC	-
TAPA - LOC	-
CARCASA - LC	-
TAPA - LC	-

CLIENTE	DISTRIBUTION SERVICE
---------	----------------------

INFORMACION DE ETIQUETA:	DIAGRAMA DE CONEXION EXTRNA
MODEL NO.: 322P984 CUST. P/N: DBL6524 HP: 1/4 ROT.: CCWLE RPM: 1050/3 SPD. TYPE: FLL FRAME: 42Y VOLTS: 115 PH: 1 AMPS: 5.6 HZ: 60 INS.: B* AMB.: 40' DUTY: AIR OVER CAP.: 7.5 MFD/370 V ENCL: - UL LOGO CSA LOGO THERMALLY PROTECTED TYPE C	

CURVAS DE FUNCIONAMIENTO	TORSION @1050 RPM (25°C)	MUESTRA APROBADA	COMPONENTE UL	CSA
C30337	30.0 OZ. FT.	89AC011D	#ARCHIVO CCN # #ARCHIVO CLASE #	
			E46412 PRGY2 LR43341 4211-01	

- CARACTERISTICAS DE GEOMETRIA Y SIMBOLOS
- ▢ PLANICIDAD
 - RECTITUD
 - ∠ ANGULARIDAD
 - ⊥ PERPENDICULARIDAD (A ESCUADRA)
 - // PARALELISMO
 - REDONDEZ (CIRCULARIDAD)
 - ∅ CILINDRICIDAD
 - △ PERFIL DE CUALQUIER SUPERFICIE
 - ∧ PERFIL DE CUALQUIER LINEA
 - ↑ VARIACION
 - ⊕ POSICION REAL
 - ⊙ CONCENTRICIDAD
 - = SIMETRIA
- ASME Y14.5M 1994

REGAL-BELOIT CORPORATION (RBC) PROVEE ASISTENCIA TECNICA A NUESTROS CLIENTES EN VARIAS AREAS. DESDE QUE RBC NO RECIBE TODOS LOS DATOS EN RELACION AL USO Y A LA APLICACION DEL MOTOR, LA APLICACION ADECUADA DEL MOTOR DEBE SER DETERMINADA POR EL CLIENTE.

DIMENSIONES SIN TOLERANCIA SON DE REFERENCIA SOLAMENTE

DIBUJADO POR: RUPERT 02-21-1996

APROBADO POR: -

TERCER ANGULO DE PROYECCION

FECHA EDS: 11-11-2011

REV. FORMATO: G

CONFIDENCIAL: ESTE DIBUJO Y SU INFORMACION SON PROPIEDAD DE USO EXCLUSIVO Y CONFIDENCIAL DE REGAL-BELOIT CORPORATION. Y NO DEBERAN SER REVELADOS, DUPLICADOS, DISTRIBUIDOS O USARSE DE OTRA MANERA SIN EL CONSENTIMIENTO ESCRITO DE REGAL-BELOIT CORPORATION. -TODOS LOS DERECHOS RESERVADOS.

REGAL-BELOIT CORPORATION

DESCRIPCION: **OUTLINE**

TAMAÑO: C NUMERO DE DIBUJO: 322P984-0L

ESCALA: NONE HOJA: 1

4

3

2

1

4 3 2 1

总技术要求:

轴跳动:

端部窜动量

轴承:

安装位置:

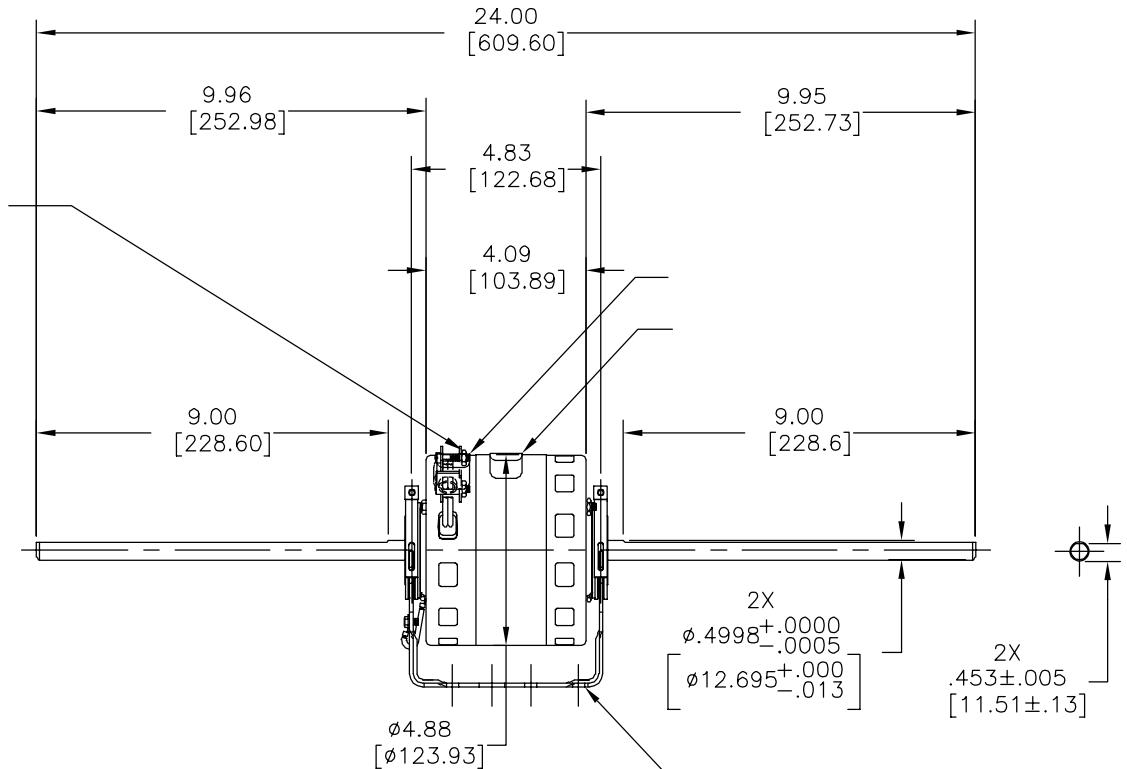
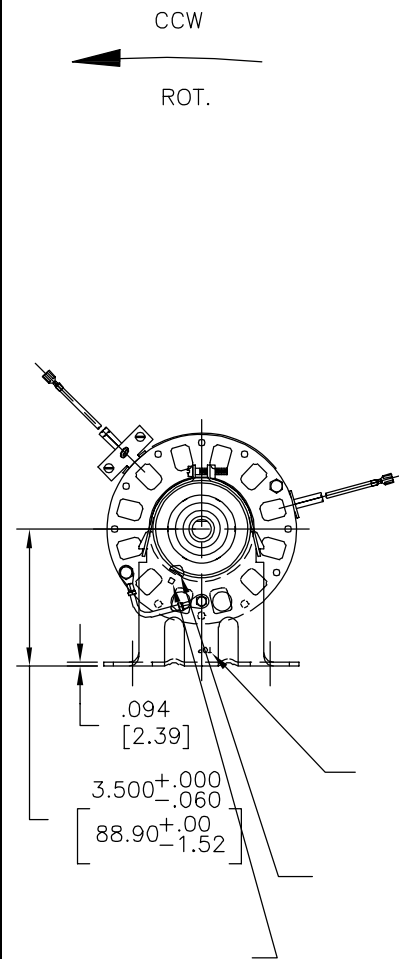
电气数据:

过载保护:

引线:

接地线:

版本	ECO	编制	日期	批准	日期
C	0025542	L.HEREDIA	04-25-2012	D.BALDERRAMA	04-25-2012



铭牌数据	外部数据线
MODEL NO.: 322P984 CUST. P/N: DBL6524 HP: 1/4 ROT.: CCWLE RPM: 1050/3 SPD. TYPE: FLL FRAME: 42Y VOLTS: 115 PH: 1 AMPS: 5.6 HZ: 60 INS.: B* AMB.: 40° DUTY: AIR OVER CAP.: 7.5 MFD/370 V ENCL: - UL LOGO CSA LOGO THERMALLY PROTECTED TYPE C	

颜色	长度	端子或剥线长度
	23.0/25.0 [584/635]	
	23.0/25.0 [584/635]	
	38.5/41.5 [978/1054]	
	38.5/41.5 [978/1054]	
	38.5/41.5 [978/1054]	
	38.5/41.5 [978/1054]	

无引线端机壳	
无引线端端盖	
有引线端机壳	
有引线端端盖	

性能曲线编号	转矩在 @ --- RPM (25° C)	批准样品	UL部件	CSA
C30337	30.0 OZ. FT.	89AC011D	文件号 指南	文件号 指南
			E46412 PRGY2	LR43341 4211-01

- 形位公差
- 平面度
- 直线度
- ∠ 倾斜度
- ⊥ 垂直度
- // 平行度
- 圆度
- ⊘ 圆柱度
- △ 面轮廓度
- ∩ 线轮廓度
- ∩ 圆跳动
- ⊕ 位置度
- ⊙ 同轴度
- ≡ 对称度

ASME Y14.5M 1994

REGAL-BELOIT CORPORATION (RBC) 在个别领域为客户提供技术支持。鉴于RBC未收到任何涉及电机使用和应用环境的数据，电机的适用性由客户自己决定。

未注公差尺寸仅供参考。

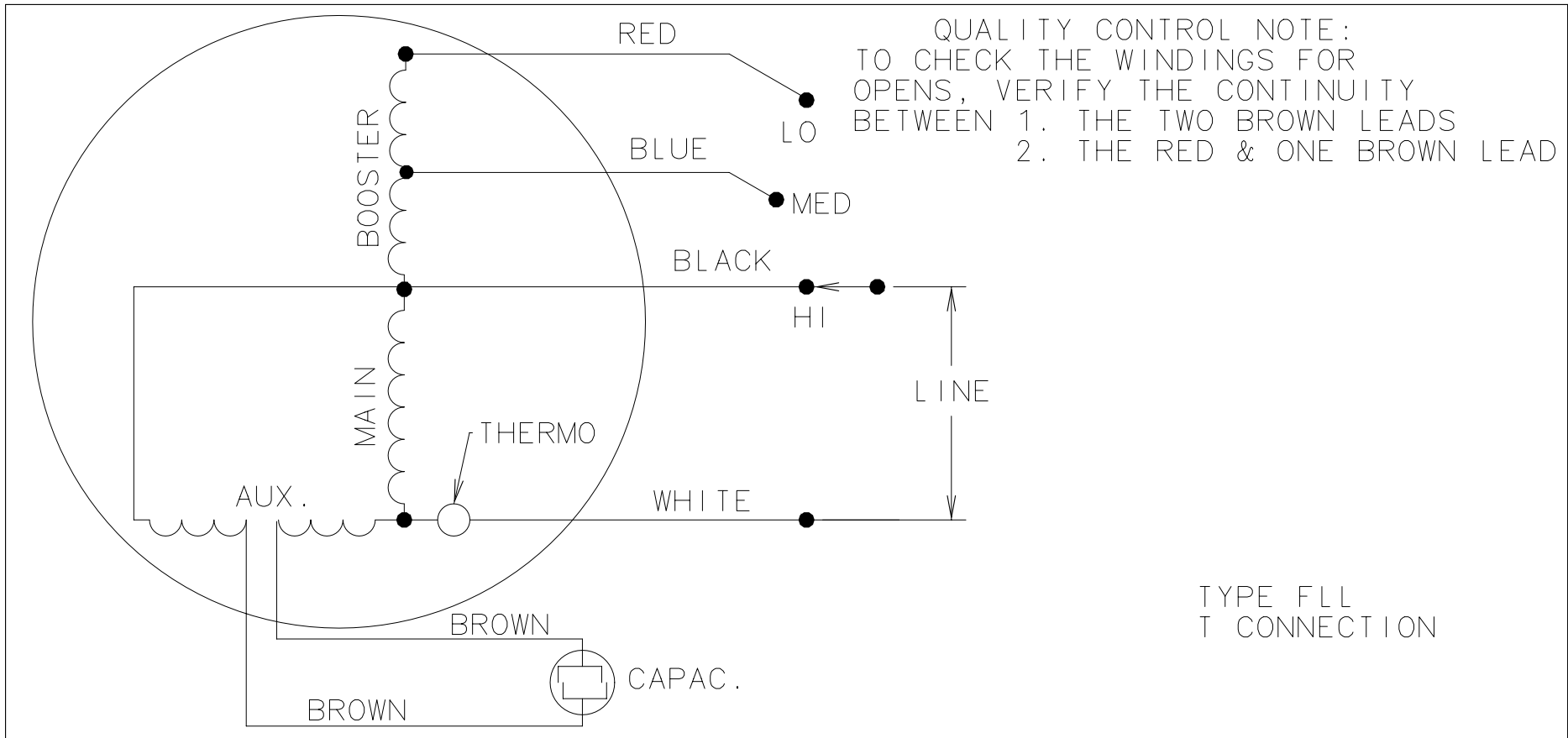
绘图:	RUPERT	02-21-1996
批准:	-	-
第三角投影		图纸格式发布日期 11-11-2011 图纸格式版本 G
机密: 本图纸及相关信息所有权归REGAL-BELOIT CORPORATION。未经REGAL-BELOIT CORPORATION书面授权, 不得泄露、复制、传播或作其他用途。一版权所有		

名称	OUTLINE
图幅	C
图号	322P984-0L
比例	NONE
页号	1


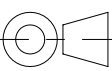
D
C
B
A

D
C
B
A

4 3 2 1



A	06/30/03	REDRAWN TO CAD	-	KAG	0343727
	DATE	CHANGED FROM	ENG	DRF	NOTICE
			APPROVED		

GEOMETRIC CHARACTERISTICS & SYMBOLS □ FLATNESS — STRAIGHTNESS ∠ ANGULARITY ⊥ PERPENDICULARITY (SQUARENESS) // PARALLELISM ○ ROUNDNESS (CIRCULARITY) ⌀ CYLINDRICITY △ PROFILE OF ANY SURFACE ⤷ PROFILE OF ANY LINE ↗ RUNOUT ⊕ TRUE POSITION ◎ CONCENTRICITY ≡ SYMMETRY	UNLESS OTHERWISE SPECIFIED DIMENSION TOLERANCES ARE AS FOLLOWS .X .XX .XXX INCHES ±.02 ±.005 METRIC ±.5 ±.13 ANGLES ±.50 DEG REMOVE BURRS AND BREAK SHARP EDGES .003-.015, CORNER FILLETS TO .020 MACHINE SURFACES 125✓	MATERIAL -	DRAWN HADDING 03/26/81 APPROVED CORBIN 03/30/81	A.O. SMITH A DIVISION OF A.O. SMITH ELECTRICAL PRODUCTS COMPANY TIPP CITY, OHIO  COPYRIGHT 1995
	CONFIDENTIAL: THIS DRAWING AND ITS INFORMATION ARE THE EXCLUSIVE AND CONFIDENTIAL PROPERTY OF A.O. SMITH CORP. AND ARE NOT TO BE DISCLOSED, DUPLICATED, DISTRIBUTED OR OTHERWISE USED WITHOUT THE WRITTEN CONSENT OF A.O. SMITH CORP. - ALL RIGHTS RESERVED	PROCESS -	REFERENCE -	DESCRIPTION CONN. DIAG.
			APPLICATION -	SIZE A  PART NUMBER 7552A94
			USER/FIELD 42 / CONEXT	SCALE - NOTICE - SHEET -