

# PRODUCT INFORMATION PACKET



Model No: DBL6524V1  
Catalog No: DBL6524V1  
1/4 HP Fan Coil / Room Air Conditioner Motor, 1075 RPM, 115 Volts, 42 Frame, OAO

Fan Coil & Air Conditioner Motors



Regal and Century are trademarks of Regal Rexnord Corporation or one of its affiliated companies.  
©2022 Regal Rexnord Corporation, All Rights Reserved. MC017097E





**Nameplate Specifications**

Output HP	1/4 Hp	Output KW	0.19 kW
Frequency	60 Hz	Voltage	115 V
Current	4.1 A	Speed	1075 rpm
Service Factor	1	Phase	1
Duty	Air Over	Insulation Class	B
Frame	42Y	Enclosure	Open Enclosed
Thermal Protection	Automatic	Ambient Temperature	40 °C
UL	Recognized	CSA	Y
CE	N	Number of Speeds	1

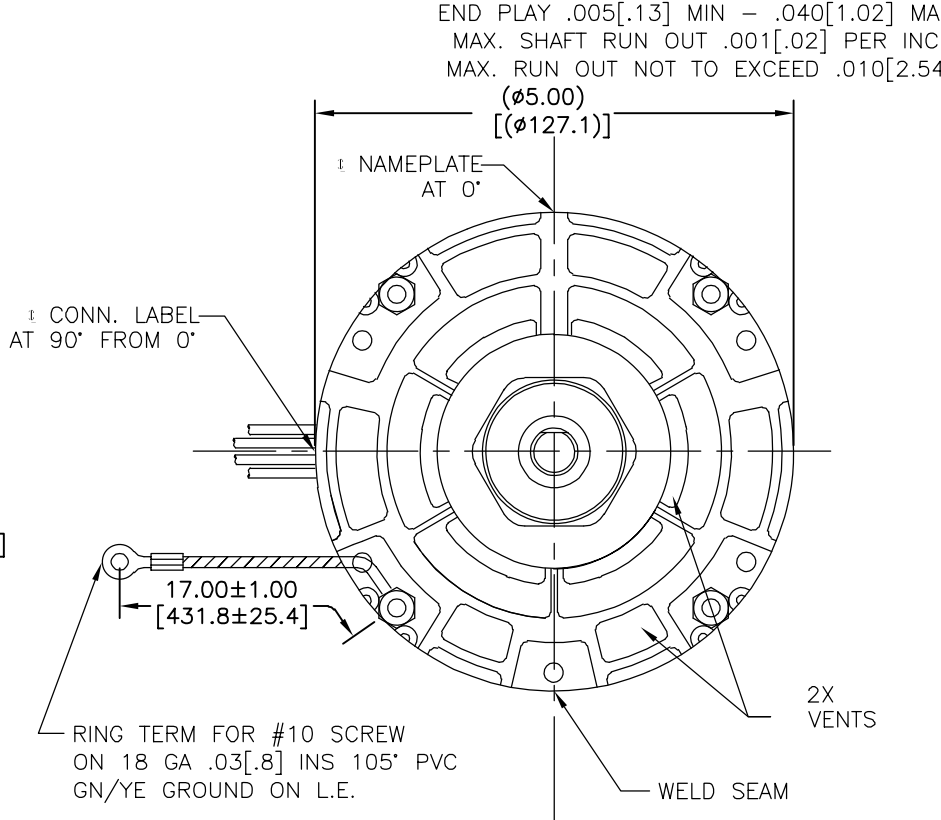
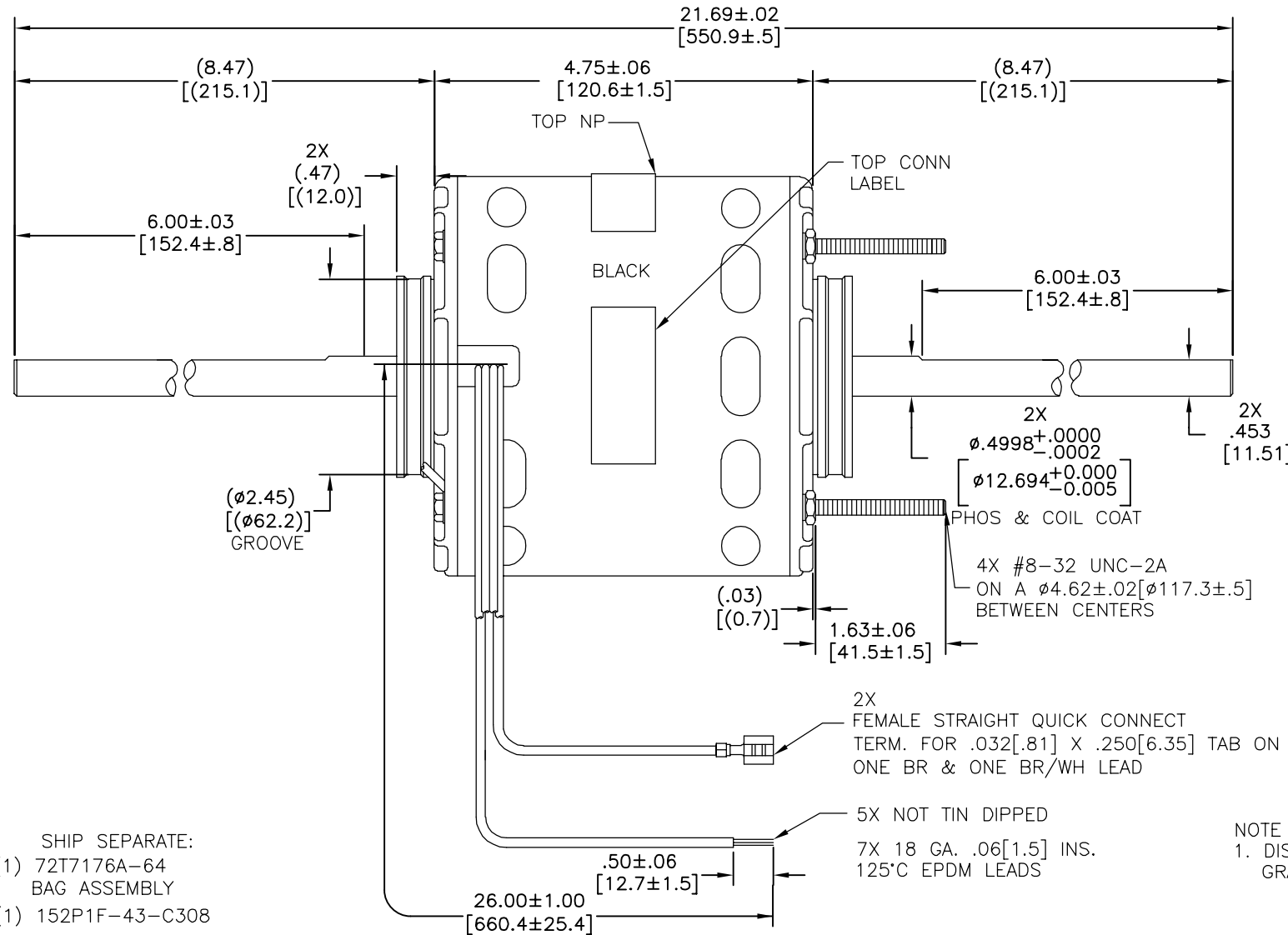
**Technical Specifications**

Electrical Type	Permanent Split Capacitor	Starting Method	Across The Line
Poles	6	Rotation	Counterclockwise Lead End
Mounting	Extended Studs	Motor Orientation	Horizontal
Drive End Bearing	Sleeve	Opp Drive End Bearing	Sleeve
Frame Material	Rolled Steel	Shaft Type	Flat
Overall Length	21.69 in	Frame Length	4.17 in
Shaft Diameter	0.500 in	Shaft Extension	8.5 in
Outline Drawing	DE3H7031-S01		

This is an uncontrolled document once printed or downloaded and is subject to change without notice. Date Created:02/07/2022

CUSTOMER IS SOLELY RESPONSIBLE FOR MOTOR PERFORMANCE AND SUITABILITY IN APPLICATIONS FOR CUSTOMER'S USES.

REV	ECO	REV BY	DATE	APPD	DATE
E	0029018	J.AGUILERA	29-10-2012	D.BALDERRAMA	29-10-2012

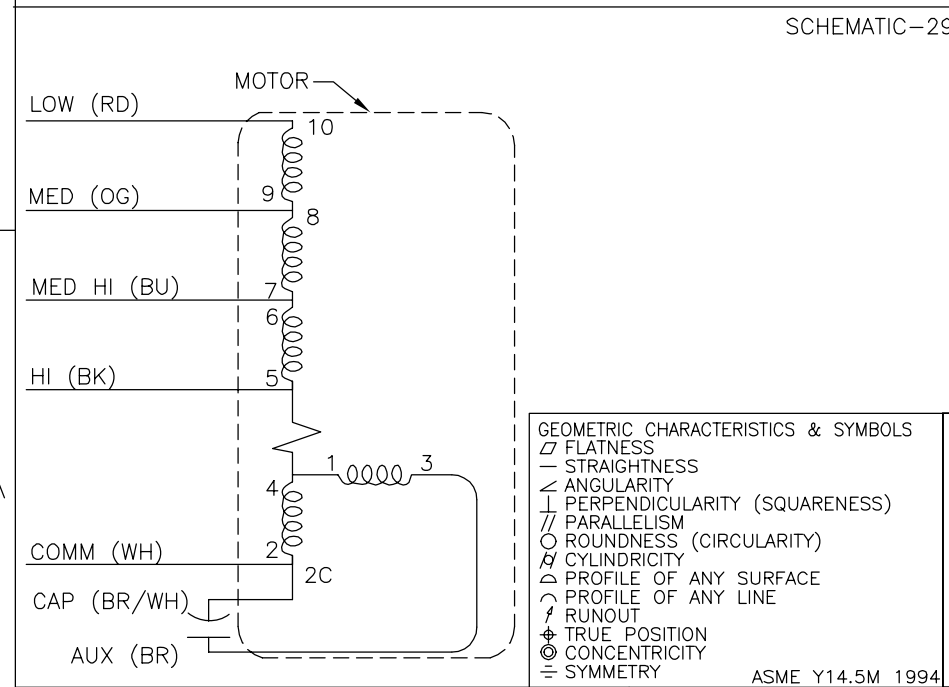


END PLAY .005[.13] MIN - .040[1.02] MAX  
 MAX. SHAFT RUN OUT .001[.02] PER INCH  
 MAX. RUN OUT NOT TO EXCEED .010[2.54]

SHIP SEPARATE:  
 (1) 72T7176A-64  
 BAG ASSEMBLY  
 (1) 152P1F-43-C308  
 RESIL. BASE

NOTE  
 1. DISTRIBUTION PART NUMBER: DBL6524V1  
 GRAINGER PART NUMBER: 4MA89

ELECTRICALLY PER  
 SAMPLE 0442665C  
 PERFORMANCE CURVE#32244



NAMEPLATE DATA:

Tipp City, OH  
 THERMALLY PROTECTED

SER. DATE & PO# PLT LTR MOD DE3H031N'

VOLTS 115 HZ 60 AMPS 4.1

RPM 1075 SP PH 1 CAP 7.5MFD/370VAC

INS CL AMB 40 °C HP 1/4 AO

BRG SLV ASSEMBLED IN MEXICO

CONN. LABEL  
 63T7432-297

GEOMETRIC CHARACTERISTICS & SYMBOLS

- FLATNESS
- STRAIGHTNESS
- ANGULARITY
- PERPENDICULARITY (SQUARENESS)
- PARALLELISM
- ROUNDNESS (CIRCULARITY)
- CYLINDRICITY
- PROFILE OF ANY SURFACE
- PROFILE OF ANY LINE
- RUNOUT
- TRUE POSITION
- CONCENTRICITY
- SYMMETRY

ASME Y14.5M 1994

UNLESS OTHERWISE SPECIFIED DIM. TOLERANCES ARE AS FOLLOWS:

INCH X XX XXX XXXX  
 ±.1 ±.02 ±.005 ±.0005  
 mm ±0.5 ±0.13 ±0.013

ANG. ±.50 DEG

REMOVE BURRS & BREAK SHARP EDGES:  
 INCH .003-.015 mm 0.1-0.4

CORNER FILLETS TO:  
 INCH .020 mm 0.5

MACHINE SURFACES:  
 INCH 125 mm 3.2

METRIC DIMS. SHOWN IN [BRACKETS]

DR BY: kgordo 06/08/2004

APPD:

THIRD ANGLE PROJECTION

EDS DATE 11-11-2011  
 FORMAT REV H

CONFIDENTIAL: THIS DRAWING AND ITS INFORMATION ARE THE EXCLUSIVE AND CONFIDENTIAL PROPERTY OF REGAL-BELOIT CORPORATION AND ARE NOT TO BE DISCLOSED, DUPLICATED, DISTRIBUTED OR OTHERWISE USED WITHOUT THE WRITTEN CONSENT OF REGAL-BELOIT CORPORATION. -ALL RIGHTS RESERVED.

REGAL REGAL-BELOIT CORPORATION

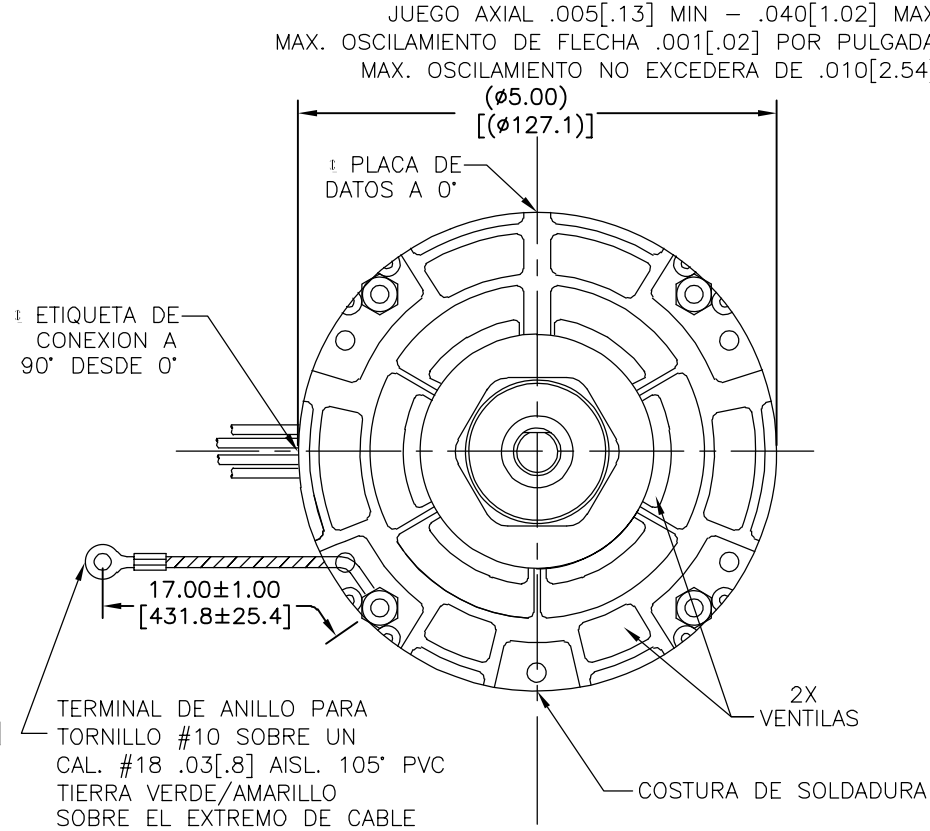
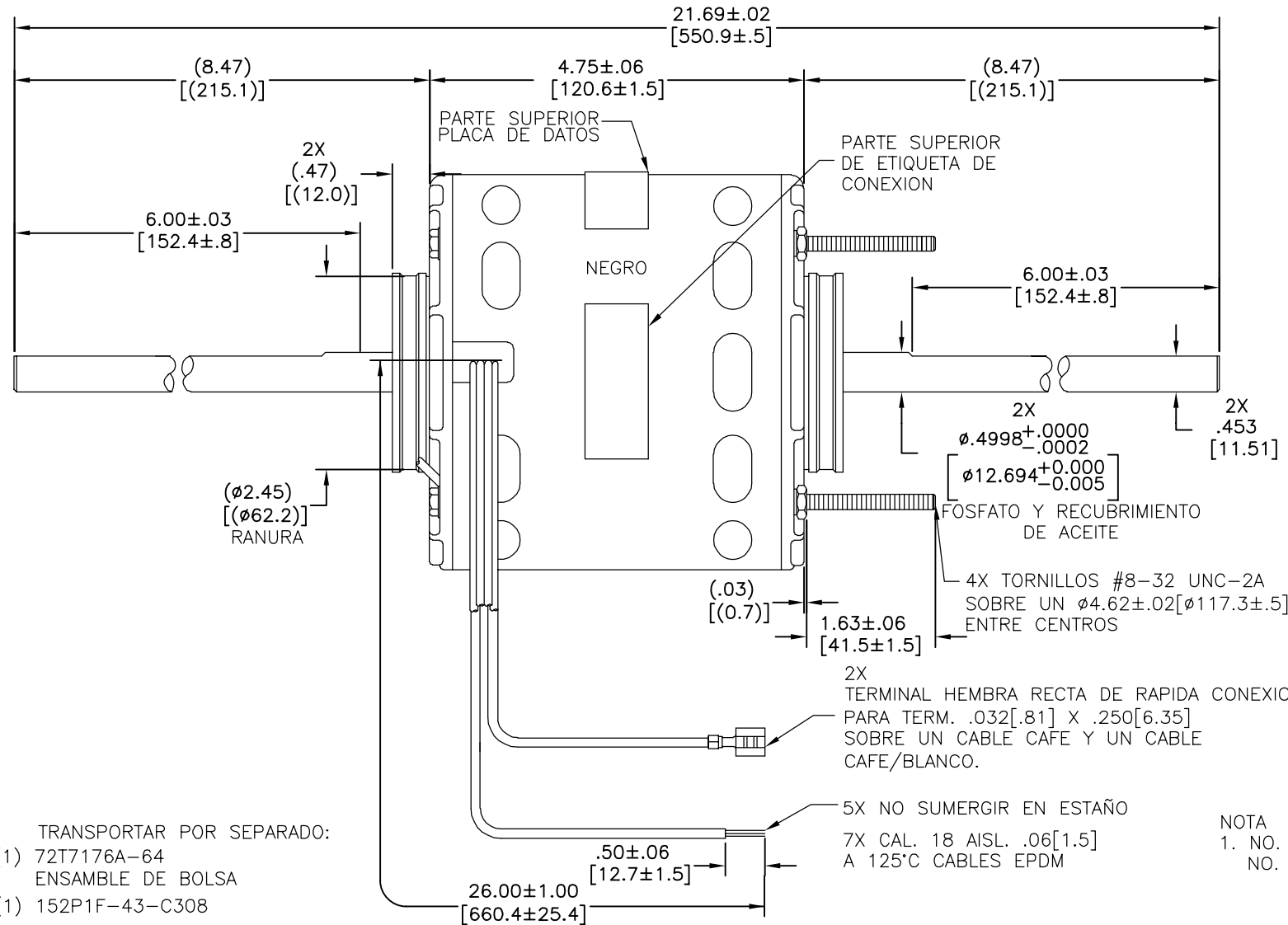
DESCRIPTION: MODEL-RFHP-42FR OUTLINE

SIZE: C DWG NO: DE3H7031

SCALE: NONE SHEET: 1

EL CLIENTE ES SOLO RESPONSABLE DEL RENDIMIENTO DEL MOTOR Y APLICACIONES CONVENIENTES PARA LOS USOS DEL CLIENTE.

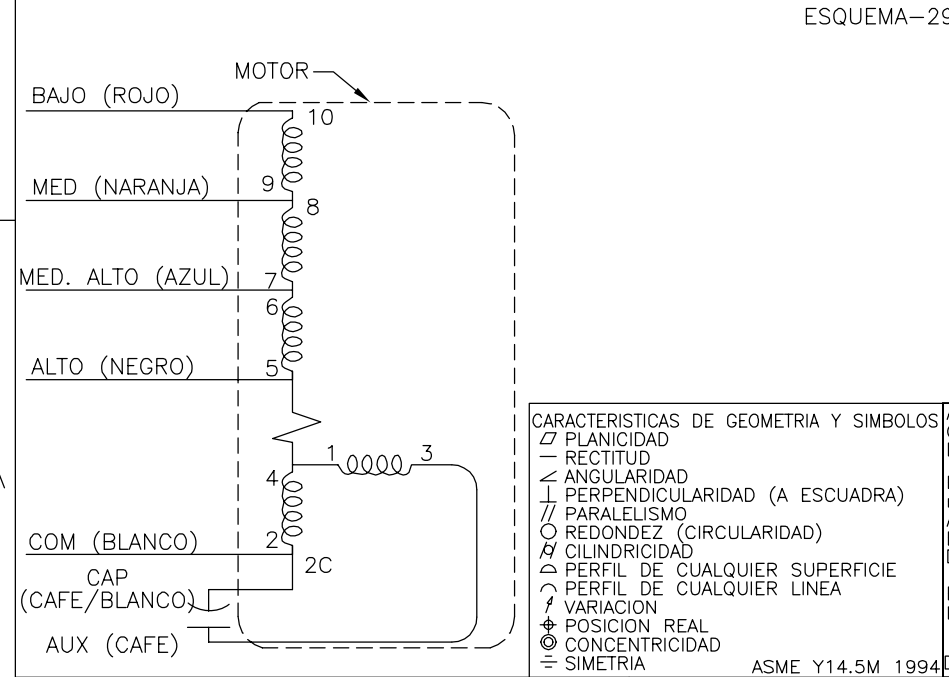
REVISION:	ECO	REVISADO POR:	FECHA:	APROBADO POR:	FECHA:
E	0029018	J.AGUILERA	29-10-2012	D.BALDERRAMA	29-10-2012



- TRANSPORTAR POR SEPARADO:
- (1) 72T7176A-64 ENSAMBLE DE BOLSA
  - (1) 152P1F-43-C308 BASE AJUSTABLE

NOTA  
1. NO. DE PARTE DE DISTRIBUCION: DBL6524V1  
NO. DE PARTE GRAINGER: 4MA89

ELECTRICAMENTE DE ACUERDO A MUESTRA 0442665C CURVA DE FUNCIONAMIENTO #32244



ESQUEMA-29 ROT.: - CCWLE

INF. PLACA DE DATOS:

**Century** Tipp City, OH THERMALLY PROTECTED

SER. DATE & PO# PLT LTR MOD DE3H031N'

VOLTS 115 HZ 60 AMPS 4.1

RPM 1075 SP PH 1 CAP 7.5MFD/370VAC

INS CL AMB 40 °C HP 1/4 AO

BRG SLV ASSEMBLED IN MEXICO

ETIQUETA DE CONEXION 63T7432-297

- CARACTERISTICAS DE GEOMETRIA Y SIMBOLOS
- PLANICIDAD
  - RECTITUD
  - ∠ ANGULARIDAD
  - ⊥ PERPENDICULARIDAD (A ESCUADRA)
  - // PARALELISMO
  - REDONDEZ (CIRCULARIDAD)
  - ∅ CILINDRICIDAD
  - △ PERFIL DE CUALQUIER SUPERFICIE
  - ▽ PERFIL DE CUALQUIER LINEA
  - ∠ VARIACION
  - ⊕ POSICION REAL
  - ◎ CONCENTRICIDAD
  - ≡ SIMETRIA
- ASME Y14.5M 1994

A MENOS QUE SE ESPECIFIQUE DE OTRA MANERA, LAS TOLERANCIAS DE LAS DIMS: SON LAS SIGUIENTES:

PULG ±.1 ±.02 ±.005 ±.0005

mm ±0.5 ±0.13 ±0.013

ANG. ±50 GRADOS

ELIMINAR REBABAS Y ORILLAS FILOSAS DEL BORDE.

PULG .003-.015 mm 0.1-0.4

FILETEAR ESQUINA: PULG .020 mm 0.5

MAQUINAR SUPERFICIES

PULG 125 mm 3.2

DIMS METRICAS MOSTRADAS [PARENTESIS]

DIBUJADO POR:	kgordo	06/08/2004
APROBADO POR:		
TERCER ANGULO DE PROYECCION	⊕	FECHA EDS: 11-11-2011
		REV. FORMATO: H
CONFIDENCIAL: ESTE DIBUJO Y SU INFORMACION SON PROPIEDAD DE USO EXCLUSIVO Y CONFIDENCIAL DE REGAL-BELOIT CORPORATION. Y NO DEBERAN SER REVELADOS, DUPLICADOS, DISTRIBUIDOS O USARSE DE OTRA MANERA SIN EL CONSENTIMIENTO ESCRITO DE REGAL-BELOIT CORPORATION. -TODOS LOS DERECHOS RESERVADOS.		

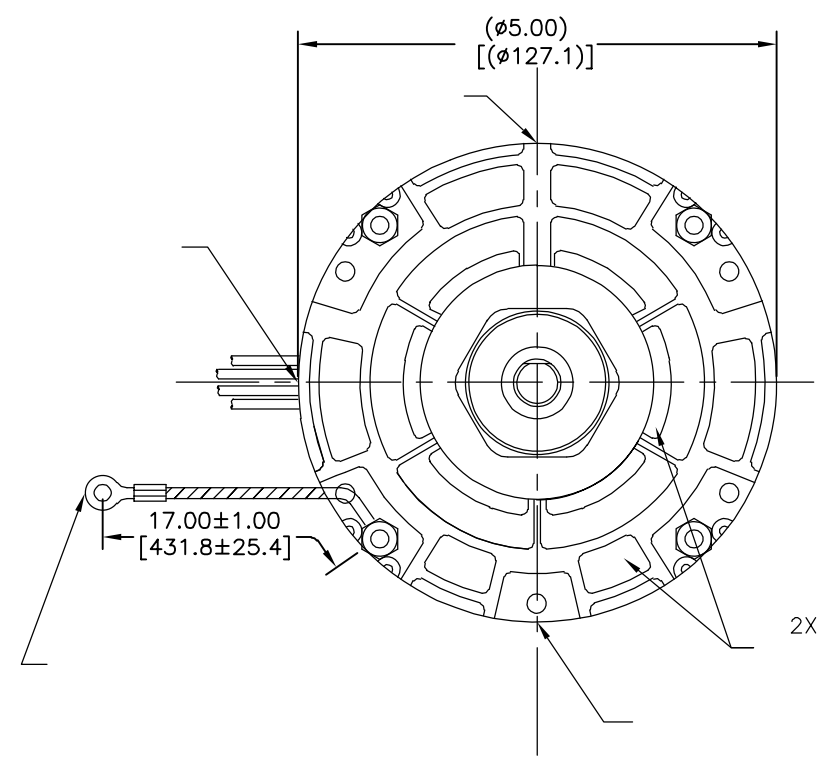
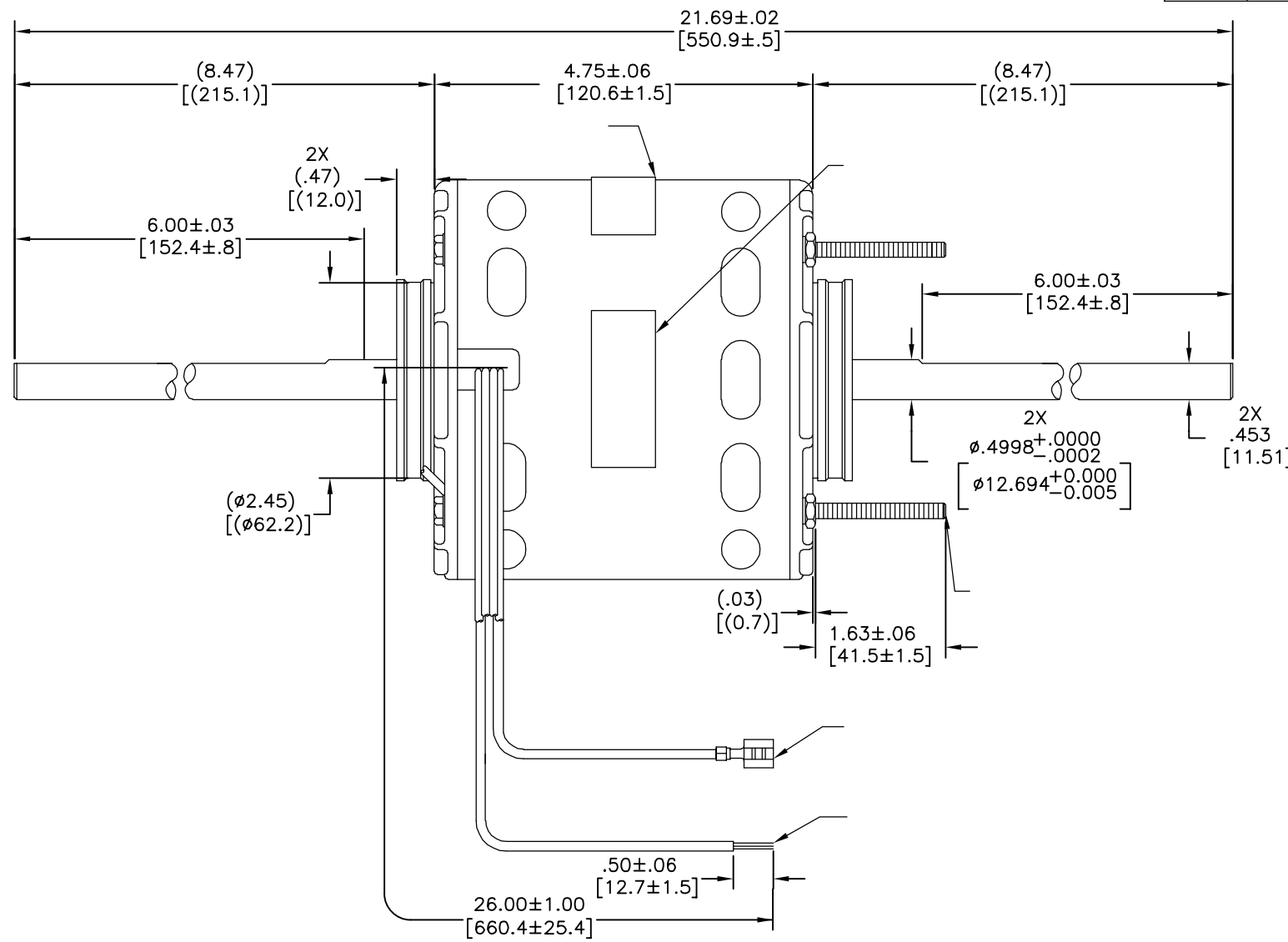
**REGAL** REGAL-BELOIT CORPORATION

DESCRIPCION: MODEL-RFHP-42FR OUTLINE

TAMAÑO: C NUMERO DE DIBUJO: DE3H7031

ESCALA: NONE HOJA: 1

版本	ECO	编制	日期	批准	日期
E	0029018	J.AGUILERA	29-10-2012	D.BALDERRAMA	29-10-2012

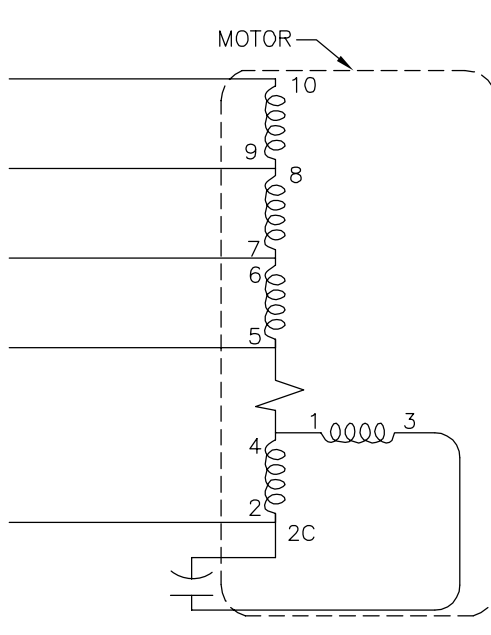


ROT.: - CCWLE

**Century** Tipp City, OH  
THERMALLY PROTECTED

SER. DATE & PO# PLT LTR MOD DE3H031N'  
VOLTS 115 HZ 60 AMPS 4.1  
RPM 1075 SP PH 1 CAP 7.5MFD/370VAC  
INS CL AMB 40 °C HP 1/4 AO  
BRG SLV ASSEMBLED IN MEXICO

63T7432-297



- 形位公差
- 平面度
  - 直线度
  - ∠ 倾斜度
  - ⊥ 垂直度
  - // 平行度
  - 圆度
  - ⊘ 圆柱度
  - ⌒ 面轮廓度
  - △ 线轮廓度
  - ↻ 圆跳动
  - ⊕ 位置度
  - ◎ 同轴度
  - ≡ 对称度

ASME Y14.5M 1994

除另有注明  
尺寸公差如下:

英寸	±.1	±.02	±.005	±.0005
毫米	±0.5	±0.13	±0.013	

角度 ±.50 度  
清理毛刺和尖棱  
英寸 .003-.015 毫米 0.1-0.4  
内圆角  
英寸 .020 毫米 0.5  
表面粗糙度  
英制 125 米制 3.2

米制尺寸显示在L

绘图: kgordo 06/08/2004

批准:

第三角投影

图纸格式发布日期 11-11-2011  
图纸格式版本 H

机密: 本图纸及相关信息所有权归REGAL-BELOIT CORPORATION  
未经REGAL-BELOIT CORPORATION书面授权, 不得泄露、  
复制、传播或作其他用途。—版权所有

**REGAL** REGAL-BELOIT CORPORATION

名称 MODEL-RFHP-42FR  
OUTLINE

图幅 C 图号 DE3H7031

比例 NONE 页号 1