

PRODUCT INFORMATION PACKET



Model No: DC100
Catalog No: DC100
General Purpose Motor, 1/6 HP, 24 V, 1140 RPM, 34 Frame, TENV



Regal and Century are trademarks of Regal Rexnord Corporation or one of its affiliated companies.
©2023 Regal Rexnord Corporation, All Rights Reserved. MC017097E





Nameplate Specifications

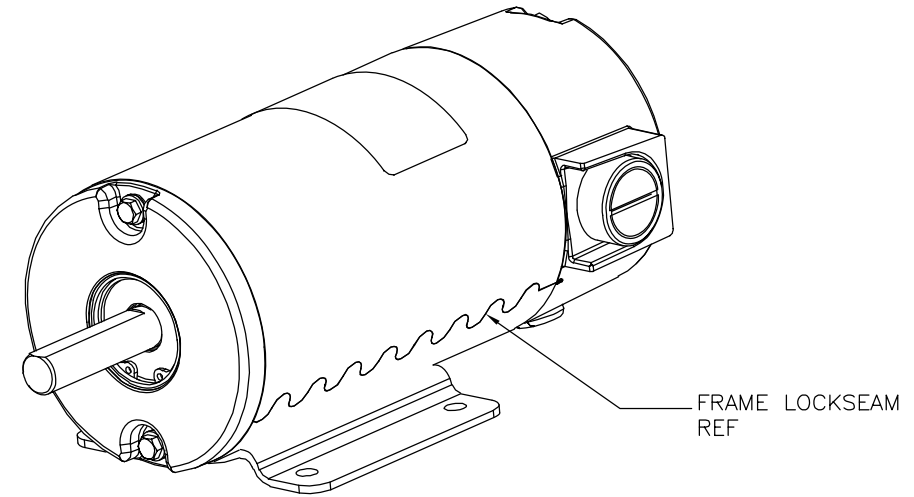
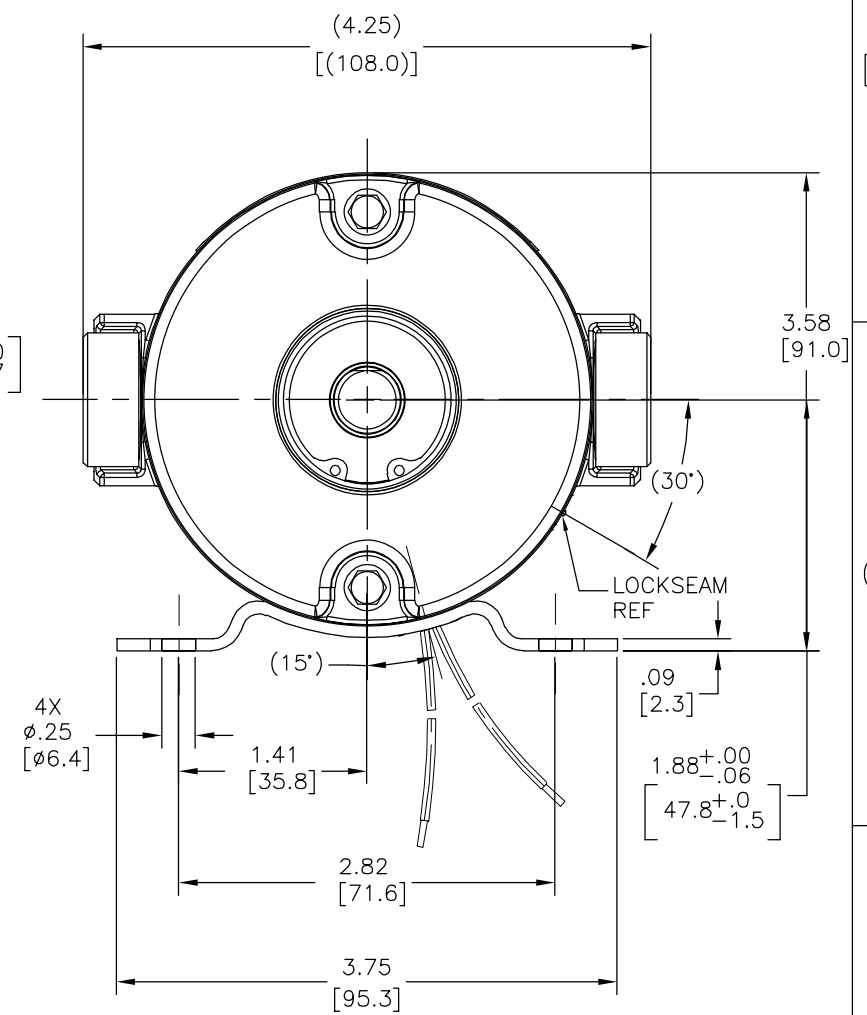
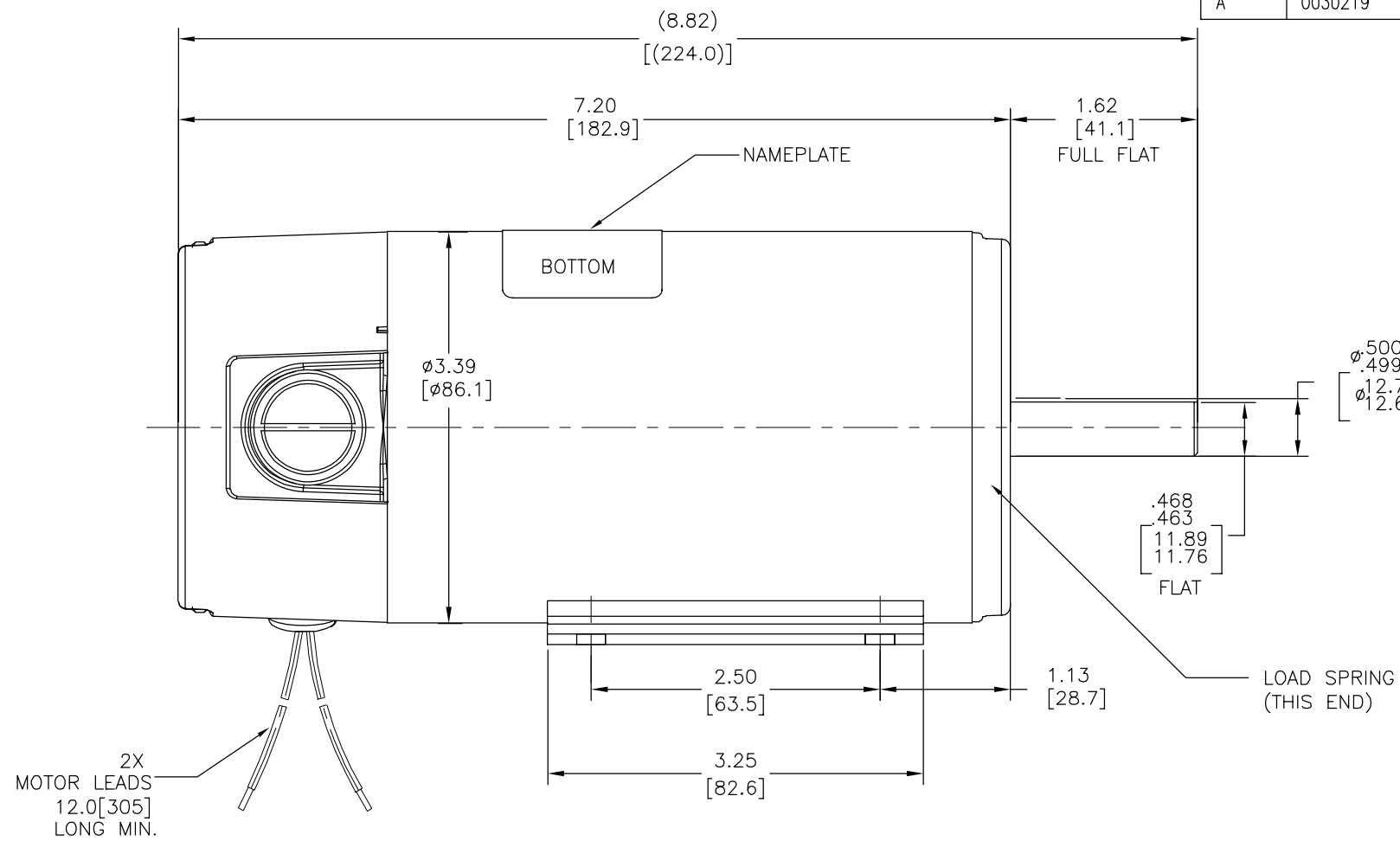
Output HP	1/6 Hp	Output KW	0.13 kW
Voltage	24 V	Speed	1140 rpm
Service Factor	1	Frame	34
Enclosure	Totally Enclosed Non Ventilated	Thermal Protection	No Protection
Efficiency	66.9 %	Ambient Temperature	40 °C
Current	7.5 A	Duty	Intermittent
Insulation Class	F	UL	Recognized
CSA	Y	CE	N
Number of Speeds	1		

Technical Specifications

Electrical Type	DC Permanent Magnet	Starting Method	Across The Line
Rotation	Reversible	Mounting	Rigid Base
Drive End Bearing	Ball	Opp Drive End Bearing	Ball
Frame Material	Rolled Steel	Shaft Type	Flat
Overall Length	8.82 in	Frame Length	5.06 in
Shaft Diameter	0.500 in	Shaft Extension	1.62 in
Outline Drawing	DC100-S01		

This is an uncontrolled document once printed or downloaded and is subject to change without notice. Date Created:08/24/2023

REV	ECO	REV BY	DATE	APPD	DATE
A	0030219	G.ZHAO	01-14-2013	J.ZHAN	01-14-2013



GEOMETRIC CHARACTERISTICS & SYMBOLS

- FLATNESS
- STRAIGHTNESS
- ∠ ANGULARITY
- ⊥ PERPENDICULARITY (SQUARENESS)
- // PARALLELISM
- ROUNDNESS (CIRCULARITY)
- ⊘ CYLINDRICITY
- △ PROFILE OF ANY SURFACE
- ∩ PROFILE OF ANY LINE
- ↯ RUNOUT
- ⊕ TRUE POSITION
- ◎ CONCENTRICITY
- ≡ SYMMETRY

ASME Y14.5M 1994

UNLESS OTHERWISE SPECIFIED DIM. TOLERANCES ARE AS FOLLOWS:

INCH	±.1	±.02	±.005	±.0005
mm	±0.5	±0.13	±0.013	

ANG. ±.50 DEG
REMOVE BURRS & BREAK SHARP EDGES:
INCH .003-.015 mm 0.1-0.4
CORNER FILLETS TO:
INCH .020 mm 0.5
MACHINE SURFACES:
INCH 125 mm 3.2

METRIC DIMS. SHOWN IN [BRACKETS]

DR BY: G.ZHAO 01-14-2013

APPD: J.ZHAN 01-14-2013

THIRD ANGLE PROJECTION

EDS DATE 11-11-2011
FORMAT REV H

CONFIDENTIAL: THIS DRAWING AND ITS INFORMATION ARE THE EXCLUSIVE AND CONFIDENTIAL PROPERTY OF REGAL-BELOIT CORPORATION AND ARE NOT TO BE DISCLOSED, DUPLICATED, DISTRIBUTED OR OTHERWISE USED WITHOUT THE WRITTEN CONSENT OF REGAL-BELOIT CORPORATION. -ALL RIGHTS RESERVED.

REGAL REGAL-BELOIT CORPORATION

DESCRIPTION: MODEL-DC OUTLINE

SIZE C DWG NO DC100

SCALE NONE SHEET 1