

PRODUCT INFORMATION PACKET



Model No: DC116
Catalog No: DC116
1 HP SCR Motor, 1750 RPM, 90 V, 56C Frame, TEFC
SCR Motors



Regal and Century are trademarks of Regal Rexnord Corporation or one of its affiliated companies.
©2021 Regal Rexnord Corporation, All Rights Reserved. MC017097E





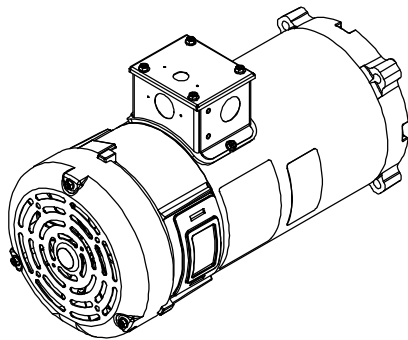
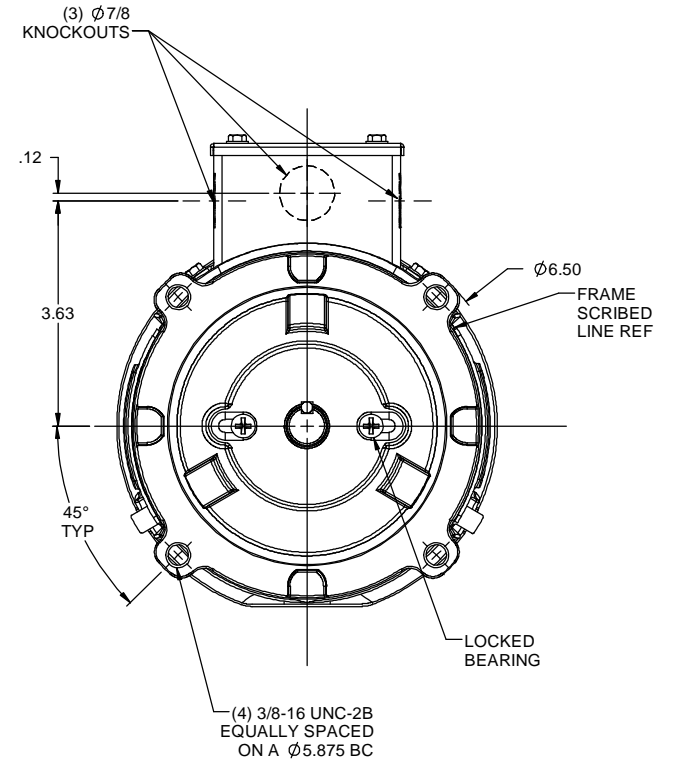
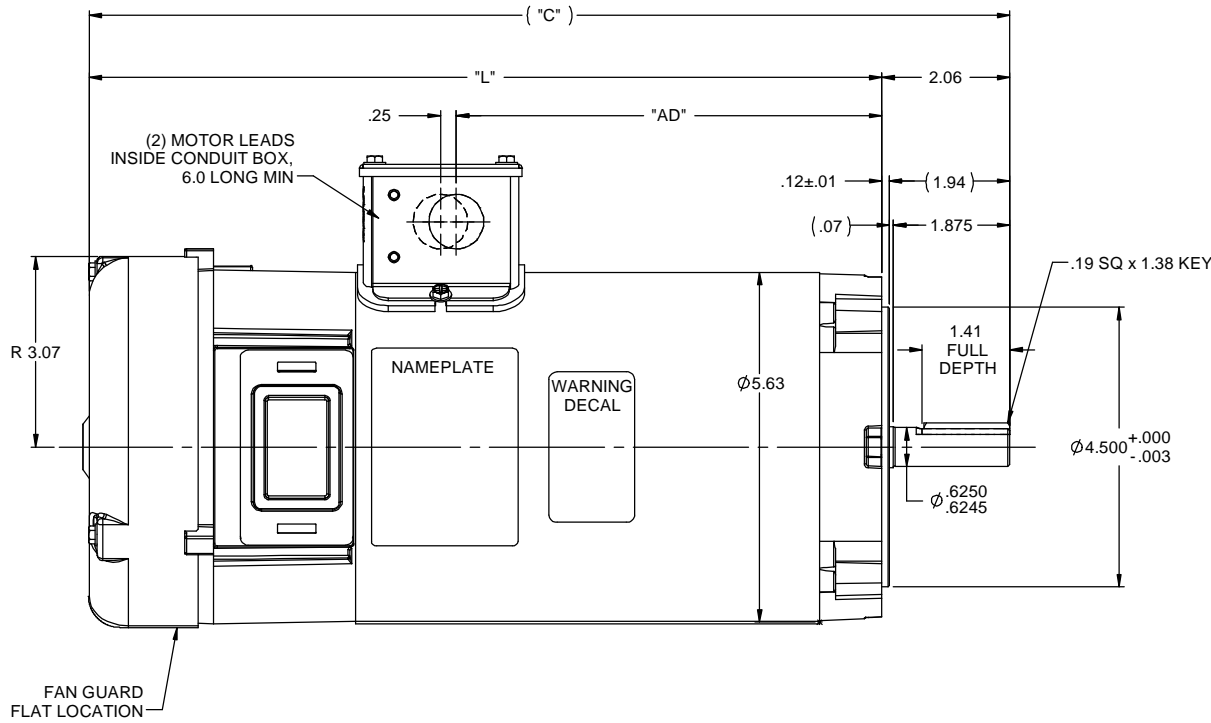
Nameplate Specifications

Output HP	1 Hp	Output KW	0.75 kW
Voltage	90 V	Current	10 A
Speed	1750 rpm	Service Factor	1
Duty	Continuous	Insulation Class	H
Frame	S56C	Enclosure	Totally Enclosed Fan Cooled
Thermal Protection	No	Ambient Temperature	40 °C
UL	Recognized	CSA	Y
CE	N	Number of Speeds	1

Technical Specifications

Electrical Type	DC Permanent Magnet	Starting Method	Across The Line
Rotation	Reversible	Mounting	Round
Drive End Bearing	Ball	Opp Drive End Bearing	Ball
Frame Material	Rolled Steel	Shaft Type	Keyed
Overall Length	14.82 in	Frame Length	7.47 in
Shaft Diameter	0.625 in	Shaft Extension	2.06 in
Outline Drawing	612-0077		

This is an uncontrolled document once printed or downloaded and is subject to change without notice. Date Created:10/07/2021



- NOTES:
 1) MAXIMUM FACE RUNOUT .004 T.I.R.
 2) MAXIMUM PILOT ECCENTRICITY .004 T.I.R.
 3) PERMISSIBLE SHAFT RUNOUT .002 T.I.R.
 4) GASKETS THROUGHOUT

DC128	14.82	12.76	6.85	180	1	1750
DC116	14.82	12.76	6.85	90	1	1750
CATALOG No.	"C"	"L"	"AD"	VOLTS	H.P.	RPM

REVISION		BY & DATE	CHK	ANG	±1/2°	FINISH	PAGE	OF
01	ADDED 1.875 SHAFT DIM PER NEMA STANDARD, ADDED .07 AND 1.94 REF DIMS. RELEASED TO PRODUCTION	IPG 9/19/2012	XX		±.03	TITLE OUTLINE		
00	REF 031911.00, 031975.00, DC116, DC128	SAD 8/11/2012	XXXX		±.0005	MATL		

THIRD ANGLE PROJECTION				TOLERANCES UNLESS SPECIFIED DEC INCHES X ±.1 XX ±.03 XXX ±.005 XXXX ±.0005				DRAWN SAD 8/11/2012 CHK APPR SCALE 1:2 REF 031975 FMF PAGE OF	
RFP				PREV		SIZE B		DRAWING NO 612-0077	
NETWORK FILE NAME 612-0077								REV 01	