

# PRODUCT INFORMATION PACKET



Model No: DC130  
Catalog No: DC130  
Replaced by 098008.00 once inventory depleted - 1/2,1750,TEFC,56C,DC/180  
SCR Motors



Regal and Century are trademarks of Regal Rexnord Corporation or one of its affiliated companies.  
©2021 Regal Rexnord Corporation, All Rights Reserved. MC017097E





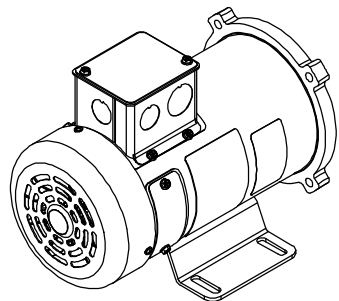
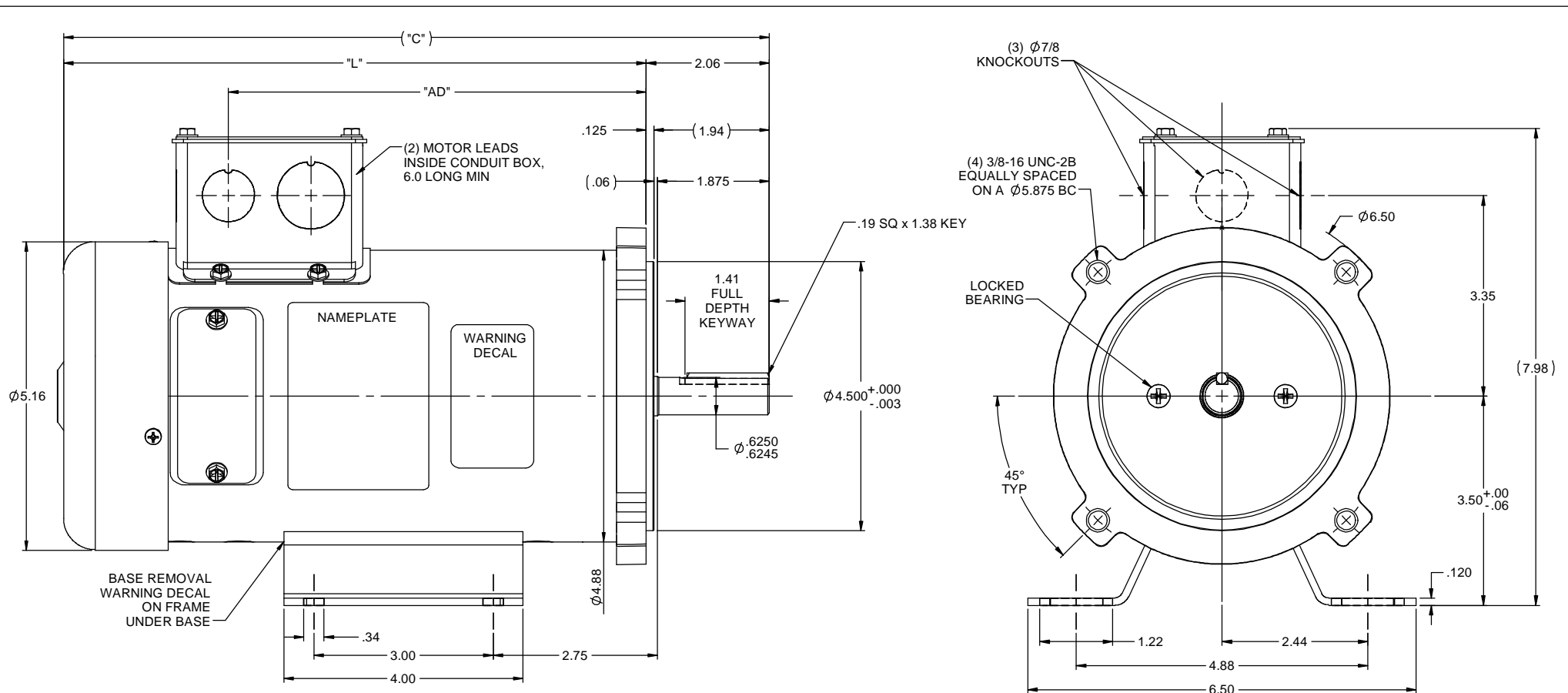
**Nameplate Specifications**

Output HP	1/2 Hp	Output KW	0.37 kW
Voltage	180 V	Current	2.5 A
Speed	1750 rpm	Service Factor	1
Duty	Continuous	Insulation Class	H
Frame	SS56C	Enclosure	Totally Enclosed Fan Cooled
Thermal Protection	No	Ambient Temperature	40 °C
UL	Recognized	CSA	Y
CE	N	Number of Speeds	1

**Technical Specifications**

Electrical Type	DC Permanent Magnet	Starting Method	Across The Line
Rotation	Reversible	Mounting	Rigid Base
Drive End Bearing	Ball	Opp Drive End Bearing	Ball
Frame Material	Rolled Steel	Shaft Type	Keyed
Overall Length	11.81 in	Frame Length	7.50 in
Shaft Diameter	0.625 in	Shaft Extension	2.06 in
Outline Drawing	612-0076-DC130		

This is an uncontrolled document once printed or downloaded and is subject to change without notice. Date Created:10/12/2021



- NOTES:
- 1) MAXIMUM FACE RUNOUT .004 T.I.R.
  - 2) MAXIMUM PILOT ECCENTRICITY .004 T.I.R.
  - 3) PERMISSIBLE SHAFT RUNOUT .002 T.I.R.
  - 4) GASKETS THROUGHOUT.

CATALOG No.	"C"	"L"	"AD"	VOLTS	H.P.	RPM
DC129	11.81	9.75	6.99	90	3/4	2500
DC131	13.81	11.75	8.99	180	3/4	1750
DC130	11.81	9.75	6.99	180	1/2	1750
DC123	13.81	11.75	8.99	90	3/4	1750
DC121	11.81	9.75	6.99	90	1/2	1750

REVISION		BY & DATE	CHK	LANG	±1/2"	FINISH	PREV	SIZE	DRAWING NO	REV
01	ADDED 1.875 SHAFT DIM PER NEMA STANDARD, ADDED .06 & 1.94 REF DIMS. RELEASED TO PRODUCTION	IPG 9/17/12	XX	±.03	TITLE	OUTLINE		B	612-0076	01
	REF 027620, 46N4, DC121, DC123, DC129, DC130, DC131	SAD 8/11/2012	XXX	±.005		42 FRAME DC				
			XXXX	±.0005	MATL					



DRAWN	SAD 8/11/2012
CHK	
APPR	
SCALE	5:8
REF	612-0075
FMF	DC121
PAGE	OF