

# PRODUCT INFORMATION PACKET



Model No: DC132  
Catalog No: DC132  
1 HP SCR Motor, 1750 RPM, 180 V, 56C Frame, TEFC  
SCR Motors



Regal and Century are trademarks of Regal Rexnord Corporation or one of its affiliated companies.  
©2021 Regal Rexnord Corporation, All Rights Reserved. MC017097E





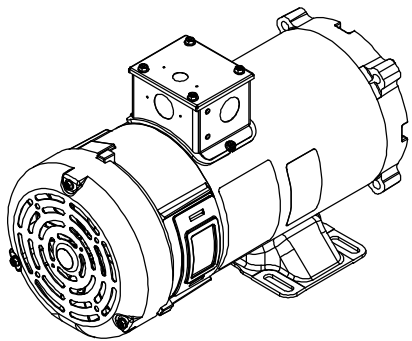
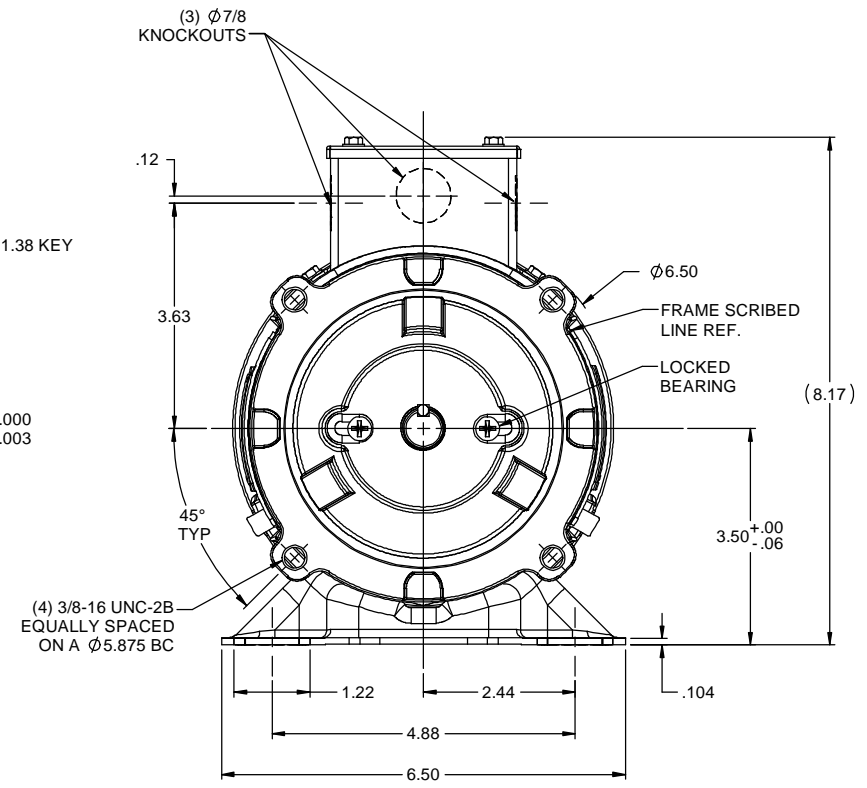
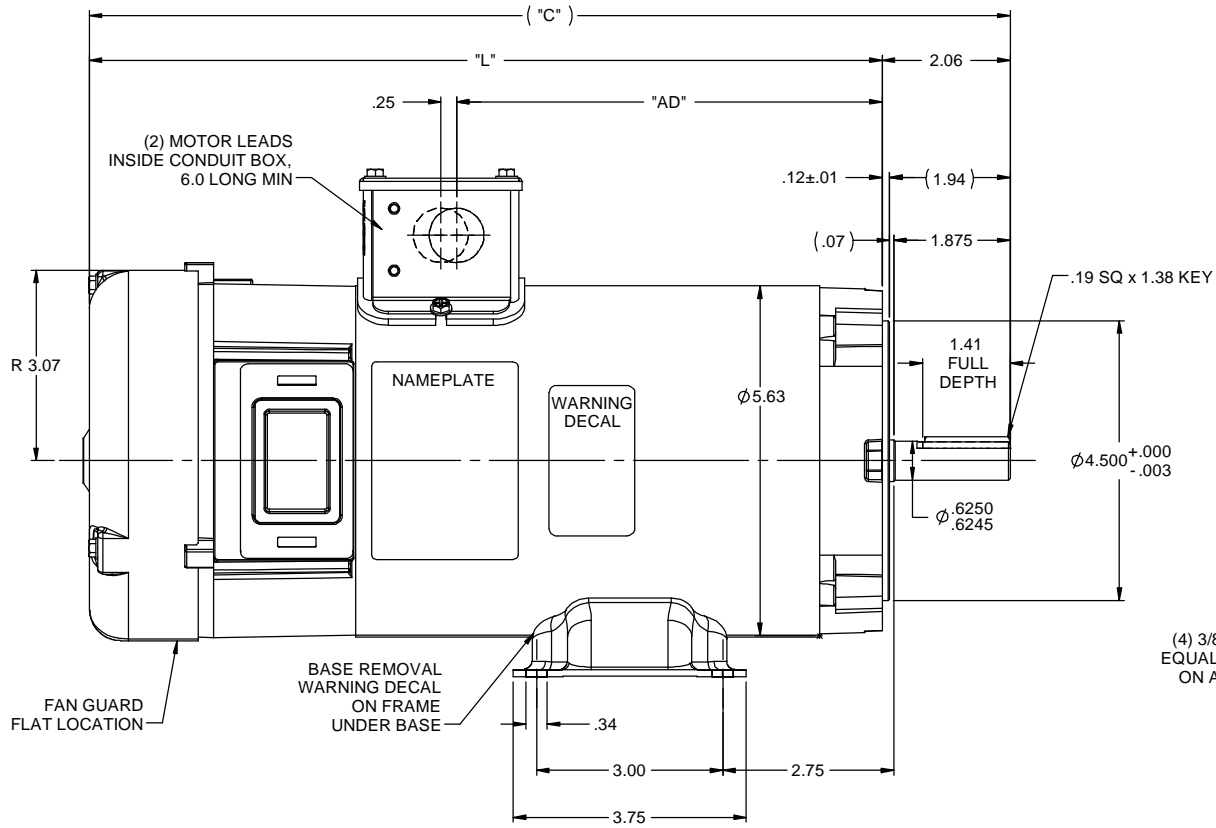
**Nameplate Specifications**

Output HP	<b>1 Hp</b>	Output KW	<b>0.75 kW</b>
Voltage	<b>180 V</b>	Current	<b>5 A</b>
Speed	<b>1750 rpm</b>	Service Factor	<b>1</b>
Duty	<b>Continuous</b>	Insulation Class	<b>H</b>
Frame	<b>S56C</b>	Enclosure	<b>Totally Enclosed Fan Cooled</b>
Thermal Protection	<b>None</b>	Ambient Temperature	<b>40 °C</b>
UL	<b>Recognized</b>	CSA	<b>Y</b>
CE	<b>N</b>	Number of Speeds	<b>1</b>

**Technical Specifications**

Electrical Type	<b>DC Permanent Magnet</b>	Starting Method	<b>Across The Line</b>
Rotation	<b>Reversible</b>	Mounting	<b>Rigid Base</b>
Drive End Bearing	<b>Ball</b>	Opp Drive End Bearing	<b>Ball</b>
Frame Material	<b>Rolled Steel</b>	Shaft Type	<b>Keyed</b>
Overall Length	<b>14.82 in</b>	Frame Length	<b>7.47 in</b>
Shaft Diameter	<b>0.625 in</b>	Shaft Extension	<b>2.06 in</b>
Outline Drawing	<b>612-0078</b>		

This is an uncontrolled document once printed or downloaded and is subject to change without notice. Date Created:10/07/2021



- NOTES:  
 1) MAXIMUM FACE RUNOUT .004 T.I.R.  
 2) MAXIMUM PILOT ECCENTRICITY .004 T.I.R.  
 3) PERMISSIBLE SHAFT RUNOUT .002 T.I.R.  
 4) GASKETS THROUGHOUT

DC162	13.82	11.76	5.85	180	1	2500
DC165	13.32	11.26	5.35	90	1	2500
DC132	14.82	12.76	6.85	180	1	1750
DC124	14.82	12.76	6.85	90	1	1750
CATALOG No.	"C"	"L"	"AD"	VOLTS	H.P.	RPM

REVISION		BY & DATE	CHK	LANG	TOLERANCES UNLESS SPECIFIED	FINISH	PREV	SIZE	DRAWING NO	REV
02	DC165 WAS DC141; DC162 WAS DC138, PER EPC REQUEST	IPG 9/25/2012			DEC INCHES			B	612-0078	02
01	ADDED 1.875 SHAFT DIM PER NEMA STANDARD, ADDED .07 & 1.94 REF DIMS, ADDED 2.75 DIM BASE LOCATION, RELEASED TO PRODUCTION	IPG 9/19/2012	X		±.1					
C	REF 031879.00, DC124, DC132, DC138, DC141	SAD 8/12/2012			±.005					
NO					±1/2"					



TITLE OUTLINE  
48 FRAME DC  
 DRAWN SAD 8/12/2012  
 APPR  
 SCALE 1:2  
 REF 031975  
 FMF  
 PAGE OF



NETWORK FILE NAME 612-0078  
 DRAWING NO 612-0078  
 REV 02