

# PRODUCT INFORMATION PACKET



Model No: DCA4522

Catalog No: DCA4522

OEM Replacement Motor, 1/5 HP, 1 Ph, 60 Hz, 208-230 V, 1550 RPM, 3 Speed, 42 Frame, OAO



Regal and Century are trademarks of Regal Rexnord Corporation or one of its affiliated companies.  
©2025 Regal Rexnord Corporation, All Rights Reserved. MC017097E





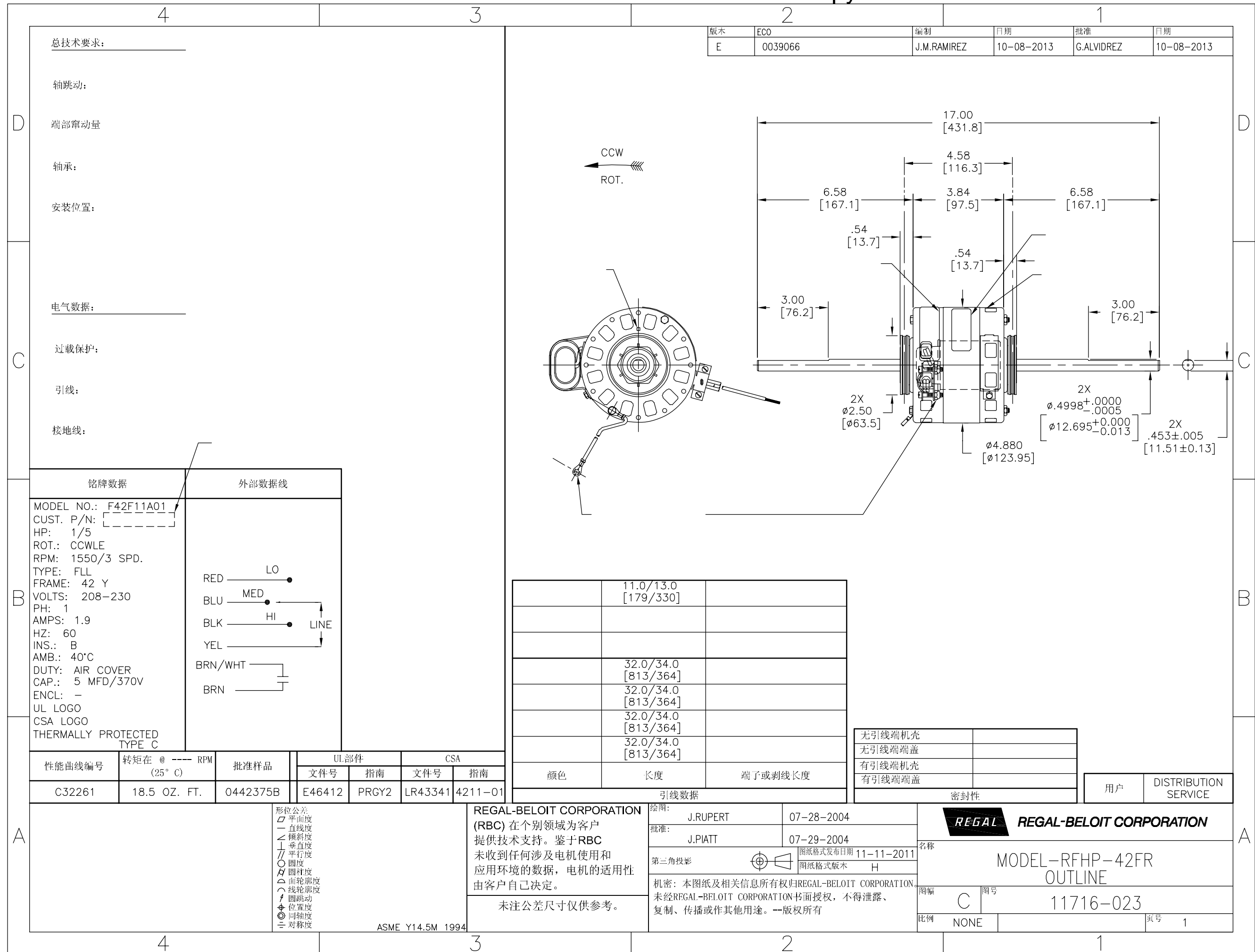
**Nameplate Specifications**

Phase	1	Output HP	1/5 Hp
Output KW	0.15 kW	Voltage	208-230 V
Speed	1550 rpm	Service Factor	1.0
Frame	42Y	Enclosure	Open Air Over
Thermal Protection	Automatic	Ambient Temperature	40 °C
Frequency	60 Hz	Current	1.9 A
Duty	Air Over	Insulation Class	B
UL	Recognized	CSA	Y
CE	N	Number of Speeds	3

**Technical Specifications**

Electrical Type	Permanent Split Capacitor	Starting Method	Across The Line
Poles	4	Rotation	Counterclockwise Lead End
Mounting	Resilient Rings	Motor Orientation	Horizontal
Drive End Bearing	Sleeve	Opp Drive End Bearing	Sleeve
Frame Material	Na	Shaft Type	Flat
Overall Length	17.00 in	Shaft Diameter	0.500 in
Shaft Extension	6.6 X.5 X6.6 in		
Connection Drawing	2485A52F01	Outline Drawing	11716-023

This is an uncontrolled document once printed or downloaded and is subject to change without notice. Date Created:02/10/2025



版本	ECO	编制	日期	批准	日期
E	0039066	J.M.RAMIREZ	10-08-2013	G.ALVIDREZ	10-08-2013

总技术要求:  
轴跳动:  
端部窜动量  
轴承:  
安装位置:  
电气数据:  
过载保护:  
引线:  
接地线:

铭牌数据	外部数据线														
MODEL NO.: F42F11A01 CUST. P/N: HP: 1/5 ROT.: CCWLE RPM: 1550/3 SPD. TYPE: FLL FRAME: 42 Y VOLTS: 208-230 PH: 1 AMPS: 1.9 HZ: 60 INS.: B AMB.: 40°C DUTY: AIR COVER CAP.: 5 MFD/370V ENCL: - UL LOGO CSA LOGO THERMALLY PROTECTED TYPE C	<table border="1"> <tr> <td>RED</td> <td>LO</td> <td rowspan="4">LINE</td> </tr> <tr> <td>BLU</td> <td>MED</td> </tr> <tr> <td>BLK</td> <td>HI</td> </tr> <tr> <td>YEL</td> <td></td> </tr> <tr> <td>BRN/WHT</td> <td></td> <td rowspan="2">GND</td> </tr> <tr> <td>BRN</td> <td></td> </tr> </table>	RED	LO	LINE	BLU	MED	BLK	HI	YEL		BRN/WHT		GND	BRN	
RED	LO	LINE													
BLU	MED														
BLK	HI														
YEL															
BRN/WHT		GND													
BRN															

	11.0/13.0 [279/330]	
	32.0/34.0 [813/364]	
	32.0/34.0 [813/364]	
	32.0/34.0 [813/364]	
	32.0/34.0 [813/364]	
颜色	长度	端子或剥线长度

无引线端机壳	
无引线端端盖	
有引线端机壳	
有引线端端盖	

性能曲线编号	转矩在 @ --- RPM (25° C)	批准样品	UL部件		CSA	
C32261	18.5 OZ. FT.	0442375B	文件号	指南	文件号	指南
			E46412	PRGY2	LR43341	4211-01

形位公差 □ 平面度 — 直线度 < 倾斜度 ⊥ 垂直度 // 平行度 ○ 圆度 ⊙ 圆柱度 △ 面轮廓度 ⊖ 线轮廓度 ↻ 圆跳动 ⊕ 位置度 ⊙ 同轴度 ≡ 对称度	ASME Y14.5M 1994
---	------------------

REGAL-BELOIT CORPORATION (RBC) 在个别领域为客户提供技术支持。鉴于RBC未收到任何涉及电机使用和应用环境的数据，电机的适用性由客户自己决定。

未注公差尺寸仅供参考。

绘图:	J.RUPERT	07-28-2004
批准:	J.PIATT	07-29-2004
第三角投影		图纸格式发布日期 11-11-2011 图纸格式版本 H
机密: 本图纸及相关信息所有权归REGAL-BELOIT CORPORATION。未经REGAL-BELOIT CORPORATION书面授权, 不得泄露、复制或传播作其他用途。—版权所有		

<b>REGAL REGAL-BELOIT CORPORATION</b>	
名称	MODEL-RFHP-42FR OUTLINE
图幅	C
图号	11716-023
比例	NONE
页号	1

4

3

2

1

REV	ECO	REV BY	DATE	APPD	DATE
E	0039066	J.M.RAMIREZ	10-08-2013	G.ALVIDREZ	10-08-2013

GENERAL INFORMATION:

SHAFT RUNOUT: .001[.03] T.I.R. PER INCH LENGTH OF EXTENSION

END PLAY: .010[.25] TO .063[1.60]

BEARINGS: SLEEVE

MOUNTING POSITION: HORIZONTAL

ELECTRICAL DATA:

OVERLOAD PROTECTOR: AUTOMATIC RESET (T.I. 7AM 304)

LEADS: NO. 18 GA. , .06[1.5] THK. , 125°C INSUL.

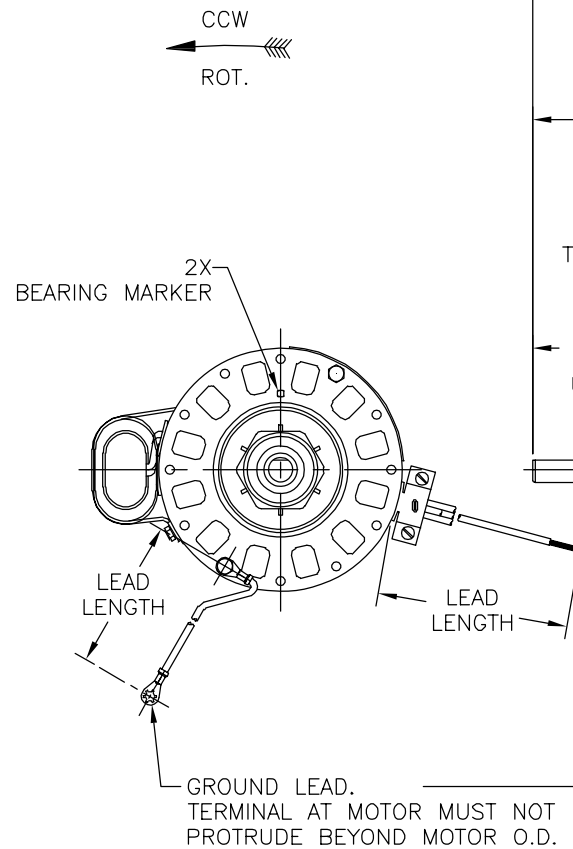
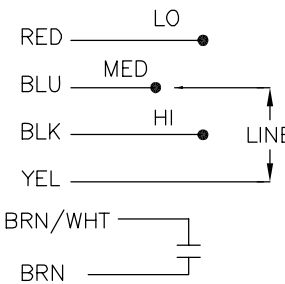
GROUND LEAD: NO. 18 GA. , .03[.8] THK. , (GREEN) INSUL.

SEE NOTE

NAMEPLATE DATA:

EXTERNAL CONNECTION DIAGRAM

MODEL NO.: F42F11A01  
 CUST. P/N: [ ]  
 HP: 1/5  
 ROT.: CCWLE  
 RPM: 1550/3 SPD.  
 TYPE: FLL  
 FRAME: 42 Y  
 VOLTS: 208-230  
 PH: 1  
 AMPS: 1.9  
 HZ: 60  
 INS.: B  
 AMB.: 40°C  
 DUTY: AIR COVER  
 CAP.: 5 MFD/370V  
 ENCL: -  
 UL LOGO  
 CSA LOGO  
 THERMALLY PROTECTED TYPE C



GREEN(GRD)	11.0/13.0 [179/330]	#10 EYELET
BROWN	CONNECTED TO CAPACITOR	.25[6.4] FLAG
BROWN/WHITE	CONNECTED TO CAPACITOR	.25[6.4] FLAG
RED	32.0/34.0 [813/364]	.50[12.7] SKIN
BLUE	32.0/34.0 [813/364]	.50[12.7] SKIN
BLACK	32.0/34.0 [813/364]	.50[12.7] SKIN
YELLOW	32.0/34.0 [813/364]	.50[12.7] SKIN
COLOR	LENGTH	TERMINAL OR STRIP LENGTH

NOTES:

- DISTRIBUTION PART NUMBER MOTOR DCA4522.
- GRAINGER PART NUMBER MOTOR 4ME15.

MAIN FRAME - OLE	OPEN
END FRAME - OLE	OPEN
MAIN FRAME - LE	OPEN
END FRAME - LE	OPEN

CUSTOMER	DISTRIBUTION SERVICE
----------	----------------------

GEOMETRIC CHARACTERISTICS & SYMBOLS  
 ▢ FLATNESS  
 - STRAIGHTNESS  
 < ANGLARITY  
 ⊥ PERPENDICULARITY (SQUARENESS)  
 // PARALLELISM  
 ○ ROUNDNESS (CIRCULARITY)  
 ∅ CYLINDRICITY  
 △ PROFILE OF ANY SURFACE  
 ∩ PROFILE OF ANY LINE  
 ↗ RUNOUT  
 ⊕ TRUE POSITION  
 ⊙ CONCENTRICITY  
 = SYMMETRY  
 ASME Y14.5M 1994

REGAL-BELOIT CORPORATION (RBC) PROVIDES TECHNICAL ASSISTANCE TO OUR CUSTOMERS IN SEVERAL AREAS. SINCE RBC DOES NOT RECEIVE ALL DATA CONCERNING THE USE AND APPLICATION OF THE MOTOR, THE SUITABILITY OF THE MOTOR FOR THE APPLICATION MUST BE DETERMINED BY THE CUSTOMER.

DIMENSIONS WITHOUT TOLERANCES ARE FOR REFERENCE ONLY.

DR BY:	J.RUPERT	07-28-2004
APPD:	J.PIATT	07-29-2004
THIRD ANGLE PROJECTION	EDS DATE 11-11-2011 FORMAT REV H	

CONFIDENTIAL: THIS DRAWING AND ITS INFORMATION ARE THE EXCLUSIVE AND CONFIDENTIAL PROPERTY OF REGAL-BELOIT CORPORATION AND ARE NOT TO BE DISCLOSED, DUPLICATED, DISTRIBUTED OR OTHERWISE USED WITHOUT THE WRITTEN CONSENT OF REGAL-BELOIT CORPORATION. -ALL RIGHTS RESERVED.

**REGAL** REGAL-BELOIT CORPORATION

DESCRIPTION	
MODEL-RFHP-42FR OUTLINE	
SIZE C	DWG NO 11716-023
SCALE NONE	SHEET 1

4

3

2

1

4

3

2

1

REVISION:	ECO	REVISADO POR:	FECHA:	APROBADO POR:	FECHA:
E	0039066	J.M.RAMIREZ	10-08-2013	G.ALVIDREZ	10-08-2013

INFORMACION GENERAL:

OSCILACION DE FLECHA: .001[.03] L.T.I. POR PULG. LONG. DE EXTENSION

JUEGO AXIAL: .010[.25] A .063[1.60]

BALEROS: MANGA

POSICION DEL MONTAJE: HORIZONTAL

INFORMACION ELECTRICA:

PROTECTOR DE SOBRECARGA: REINICIO AUTOMATICO (T.I. 7AM 304)

CABLES: CALIBRE NO. 18, .06[1.5] ESPESOR, AISL. 125°C

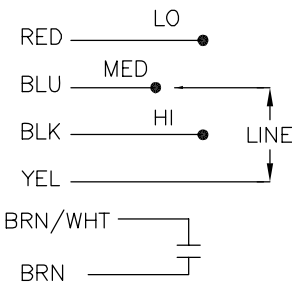
CABLE DE TIERRA: CALIBRE NO. 18, .03[.8] ESPESOR, AISL. (VERDE)

VER NOTA

INFORMACION DE ETIQUETA:

DIAGRAMA DE CONEXION EXTRNA

MODEL NO.: F42F11A01  
 CUST. P/N: [ ]  
 HP: 1/5  
 ROT.: CCWLE  
 RPM: 1550/3 SPD.  
 TYPE: FLL  
 FRAME: 42 Y  
 VOLTS: 208-230  
 PH: 1  
 AMPS: 1.9  
 HZ: 60  
 INS.: B  
 AMB.: 40°C  
 DUTY: AIR COVER  
 CAP.: 5 MFD/370V  
 ENCL: -  
 UL LOGO  
 CSA LOGO  
 THERMALLY PROTECTED TYPE C



CURVAS DE FUNCIONAMIENTO	TORSION @1550 RPM (25°C)	MUESTRA APROBADA	COMPONENTE UL		CSA	
			#ARCHIVO	CCN #	#ARCHIVO	CLASE #
C32261	18.5 OZ. FT.	0442375B	E46412	PRGY2	LR43341	4211-01

CARACTERISTICAS DE GEOMETRIA Y SIMBOLOS  
 ▽ PLANICIDAD  
 — RECTITUD  
 ∠ ANGULARIDAD  
 ⊥ PERPENDICULARIDAD (A ESCUADRA)  
 // PARALELISMO  
 ○ REDONDEZ (CIRCULARIDAD)  
 ∅ CILINDRICIDAD  
 △ PERFIL DE CUALQUIER SUPERFICIE  
 ∩ PERFIL DE CUALQUIER LINEA  
 ↗ VARIACION  
 ⊕ POSICION REAL  
 ⊙ CONCENTRICIDAD  
 = SIMETRIA  
 ASME Y14.5M 1994

REGAL-BELOIT CORPORATION (RBC) PROVEE ASISTENCIA TECNICA A NUESTROS CLIENTES EN VARIAS AREAS. DESDE QUE RBC NO RECIBE TODOS LOS DATOS EN RELACION AL USO Y A LA APLICACION DEL MOTOR, LA APLICACION ADECUADA DEL MOTOR DEBE SER DETERMINADA POR EL CLIENTE.

DIMENSIONES SIN TOLERANCIA SON DE REFERENCIA SOLAMENTE

DIBUJADO POR: J.RUPERT

07-28-2004

APROBADO POR: J.PIATT

07-29-2004

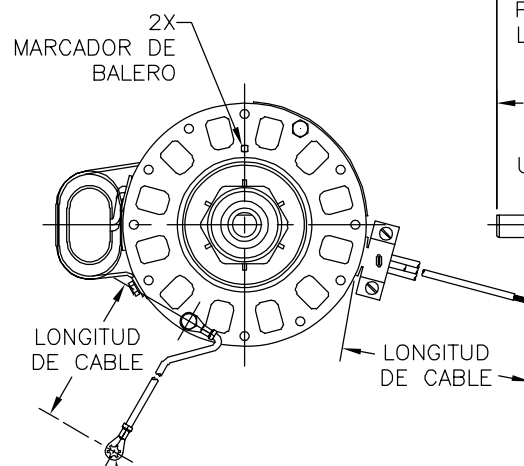
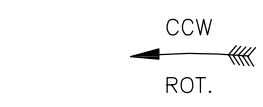
TERCER ANGULO DE PROYECCION

FECHA EDS: 11-11-2011  
 REV. FORMATO: H

CONFIDENCIAL: ESTE DIBUJO Y SU INFORMACION SON PROPIEDAD DE USO EXCLUSIVO Y CONFIDENCIAL DE REGAL-BELOIT CORPORATION. Y NO DEBERAN SER REVELADOS, DUPLICADOS, DISTRIBUIDOS O USARSE DE OTRA MANERA SIN EL CONSENTIMIENTO ESCRITO DE REGAL-BELOIT CORPORATION. -TODOS LOS DERECHOS RESERVADOS.



DESCRIPCION: MODEL-RFHP-42FR OUTLINE  
 TAMAÑO: C NUMERO DE DIBUJO: 11716-023  
 ESCALA: NONE HOJA: 1



TORNILLO A TIERRA. TERMINAL EN EL MOTOR NO DEBERA SOBRESALIR MAS ALLA DEL DIAMETRO EXTERNO DEL MOTOR.

TUERCAS AJUSTADAS HASTA QUE ESTEN BAJO TENSION. CLIENTE AJUSTA CONECTOR .38[9.7] EN EL CONDUCTO.

VERDE(TIERRA)	11.0/13.0 [179/330]	#10 TERMINAL DE OJO
CAFE	CONECTADO AL CAPACITOR	.25[6.4] BANDERA
CAFE/BLANCO	CONECTADO AL CAPACITOR	.25[6.4] BANDERA
ROJO	32.0/34.0 [813/364]	.50[12.7] DESFORRE
AZUL	32.0/34.0 [813/364]	.50[12.7] DESFORRE
NEGRO	32.0/34.0 [813/364]	.50[12.7] DESFORRE
AMARILLO	32.0/34.0 [813/364]	.50[12.7] DESFORRE
COLOR	LONGITUD	TERMINAL O LONGITUD DE DESFORRE

NOTAS:

1. NUMERO DE PARTE DEL MOTOR DISTRIBUTION DCA4522.
2. NUMERO DE PARTE DEL MOTOR GRAINGER 4ME15.

CARCASA - LOC	ABIERTO
TAPA - LOC	ABIERTO
CARCASA - LC	ABIERTO
TAPA - LC	ABIERTO

CLIENTE	DISTRIBUTION SERVICE
---------	----------------------

4

3

2

1