

PRODUCT INFORMATION PACKET

Model No: DL003

Catalog No: DL003

Fan and Blower Motor, 1/3 HP, 1 Ph, 60 Hz, 115 V, 1075 RPM, 2 Speed, 48 Frame, OPEN



Regal and are trademarks of Regal Rexnord Corporation or one of its affiliated companies.
©2022 Regal Rexnord Corporation, All Rights Reserved. MC017097E

Nameplate Specifications

Output HP	1/3 Hp	Output KW	0.25 kW
Frequency	60 Hz	Voltage	115 V
Current	4.9 A	Speed	1075 rpm
Service Factor	1	Phase	1
Duty	Air Over	Insulation Class	B
Frame	48Y	Enclosure	Open Enclosed
Thermal Protection	Automatic	Ambient Temperature	40 °C
UL	Recognized	CSA	Y
CE	N	Number of Speeds	2

Technical Specifications

Electrical Type	Permanent Split Capacitor	Starting Method	Across The Line
Poles	6	Rotation	Reversible
Mounting	Resilient Rings	Motor Orientation	Horizontal
Drive End Bearing	Sleeve	Opp Drive End Bearing	Sleeve
Frame Material	Rolled Steel	Shaft Type	Flat
Overall Length	9.36 in	Frame Length	3.75 in
Shaft Diameter	0.500 in	Shaft Extension	4.5 in
Outline Drawing	11760-088-S01	Connection Drawing	614131-171

This is an uncontrolled document once printed or downloaded and is subject to change without notice. Date Created:09/15/2022

REV	ECO	REV BY	DATE	APPD	DATE
D	0025543	I. ORTIZ	04-26-2012	D. BALDERRAMA	04-26-2012

GENERAL INFORMATION:

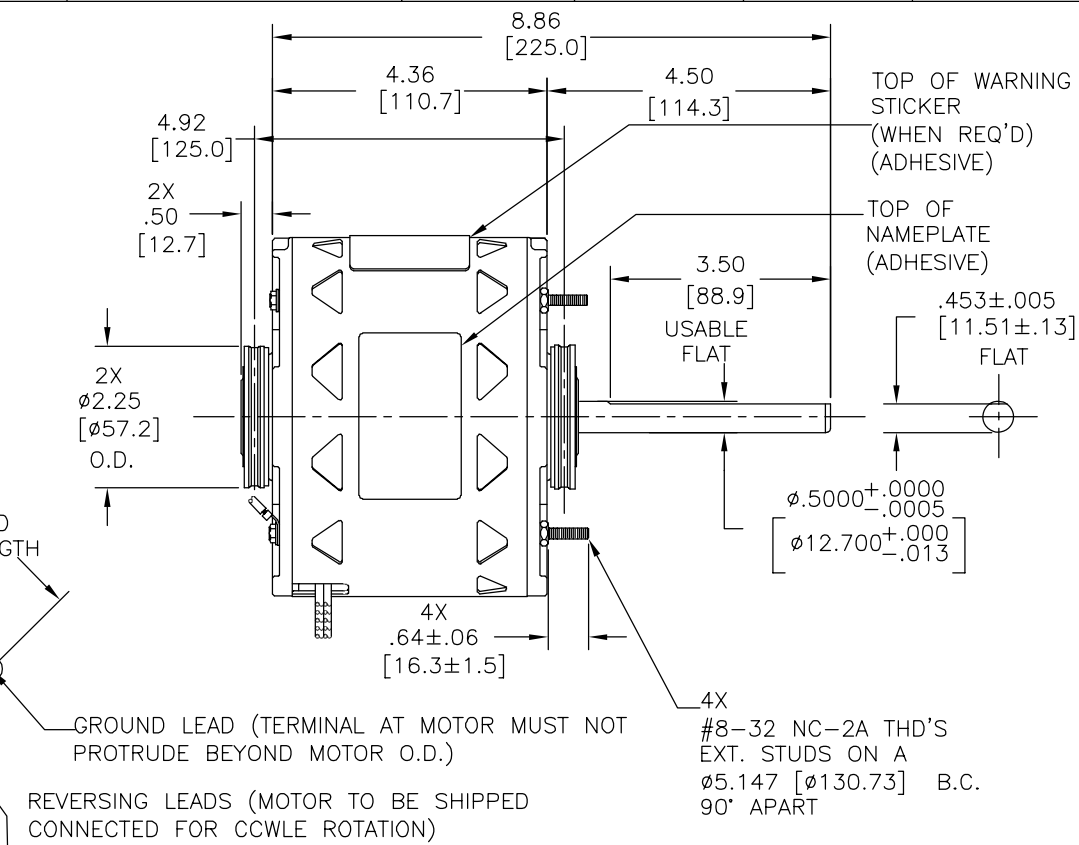
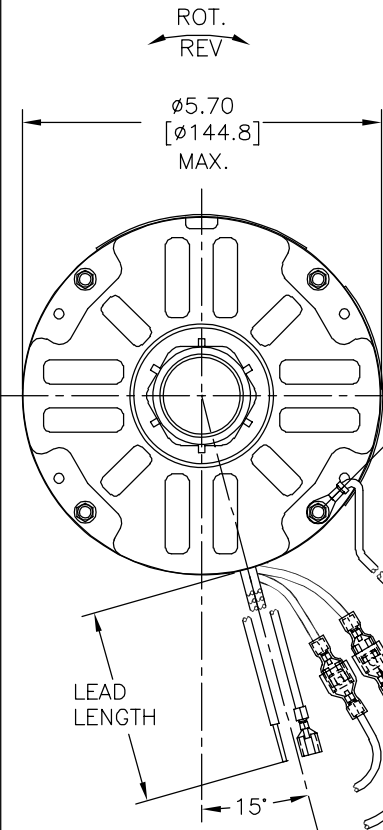
SHAFT RUNOUT: .001 [.03] T.I.R. PER INCH LENGTH OF EXTENSION
 END PLAY: .010 TO .063 [.25 TO 1.60]
 BEARINGS: SLEEVE
 MOUNTING POSITION: HORIZONTAL

ELECTRICAL DATA:

OVERLOAD PROTECTOR: AUTOMATIC RESET (T.I. 7AM 036)
 LINE LEADS: NO. 18 GA., .06 [1.5] THK., PVC. 125°C INSUL.
 REVERSING LEADS: NO. 18 GA., .03 [.8] THK., CROSS-LINKED POLYETHELENE 125°C INSUL.
 GROUND LEADS: NO. 18 GA., .03 [.8] THK., (GREEN)INSUL.

- NOTE:
 1. SPLIT RING ADAPTOR 615035 (4 REQ'D) TO BE PACKED WITH EACH MOTOR.
 2. DISTRIBUTION : CUST P/N: DL003
 GRAINGER: CUST P/N:4KA26

SEE NOTE 2



GROUND LEAD (TERMINAL AT MOTOR MUST NOT PROTRUDE BEYOND MOTOR O.D.)
 REVERSING LEADS (MOTOR TO BE SHIPPED CONNECTED FOR CCWLE ROTATION)

GREEN (GRD)	9.0/11.0 [229/279]	10# EYELET
WHITE (REV)	4.0/6.0 [102/152]	.25[6.4] PER-INSUL. FEMALE SPADE
PURPLE(REV)	4.0/6.0 [102/152]	.25[6.4] PER-INSUL. FEMALE SPADE
ORANGE(REV)	4.0/6.0 [102/152]	.25[6.4] PER-INSUL. FEMALE SPADE
BROWN (REV)	4.0/6.0 [102/152]	.25[6.4] PER-INSUL. FEMALE SPADE
BROWN	25.0/27.0 [635/686]	.25[6.4] FEMALE SPADE
BROWN/WHITE	25.0/27.0 [635/686]	.25[6.4] FEMALE SPADE
YELLOW	25.0/27.0 [635/686]	.60[15.2] SKIN
BLACK	25.0/27.0 [635/686]	.60[15.2] SKIN
RED	25.0/27.0 [635/686]	.60[15.2] SKIN
COLOR	LENGTH	TERMINAL OR STRIP LENGTH

NAMEPLATE DATA:	EXTERNAL CONNECTION DIAGRAM
MODEL: F48N03A01 CUST. P/N: [-----] HP: 1/3 ROT: REVERSIBLE RPM: 1075/2 SPD TYPE: UF FRAME: 48Y VOLTS: 115 PH: 1 AMPS: 4.9 (6.4 MAX.) HZ: 60 INS: B AMB: 40 °C DUTY: AIR OVER CODE: - CAP.: 7.5 MFD/370V ENCL: OPEN UL LOGO CSA LOGO THERMALLY PROTECTED	

PERFORMANCE CURVE NO.	TORQUE @ 1075 RPM (25°C)	APPROVED SAMPLE	UL COMPONENT FILE #	CCN #	CSA FILE #	CLASS #
C31363	39.1 OZ.FT.	---	E46412	PRGY2	LR43341	4211-01

MAIN FRAME - OLE	OPEN
END FRAME - OLE	OPEN
MAIN FRAME - LE	OPEN
END FRAME - LE	OPEN

CUSTOMER	DISTRIBUTION SERVICES
----------	-----------------------

GEOMETRIC CHARACTERISTICS & SYMBOLS
 ▮ FLATNESS
 — STRAIGHTNESS
 < ANGLARITY
 ⊥ PERPENDICULARITY (SQUARENESS)
 // PARALLELISM
 ○ ROUNDNESS (CIRCULARITY)
 ∅ CYLINDRICITY
 △ PROFILE OF ANY SURFACE
 ∩ PROFILE OF ANY LINE
 ↗ RUNOUT
 ⊕ TRUE POSITION
 ⊙ CONCENTRICITY
 = SYMMETRY
 ASME Y14.5M 1994

REGAL-BELOIT CORPORATION (RBC) PROVIDES TECHNICAL ASSISTANCE TO OUR CUSTOMERS IN SEVERAL AREAS. SINCE RBC DOES NOT RECEIVE ALL DATA CONCERNING THE USE AND APPLICATION OF THE MOTOR, THE SUITABILITY OF THE MOTOR FOR THE APPLICATION MUST BE DETERMINED BY THE CUSTOMER.
 DIMENSIONS WITHOUT TOLERANCES ARE FOR REFERENCE ONLY.

DR BY: D M JONES 04-06-1999
 APPD: J P MU 04-07-1999
 THIRD ANGLE PROJECTION
 EDS DATE 11-11-2011
 FORMAT REV G
 CONFIDENTIAL: THIS DRAWING AND ITS INFORMATION ARE THE EXCLUSIVE AND CONFIDENTIAL PROPERTY OF REGAL-BELOIT CORPORATION AND ARE NOT TO BE DISCLOSED, DUPLICATED, DISTRIBUTED OR OTHERWISE USED WITHOUT THE WRITTEN CONSENT OF REGAL-BELOIT CORPORATION. -ALL RIGHTS RESERVED.

REGAL-BELOIT CORPORATION

DESCRIPTION: MODEL-RFHP-48FR OUTLINE

SIZE: C DWG NO: 11760-088

SCALE: NONE SHEET: 1

4

3

2

1

REVISION:	ECO	REVISADO POR:	FECHA:	APROBADO POR:	FECHA:
D	0025543	I. ORTIZ	04-26-2012	D. BALDERRAMA	04-26-2012

INFORMACION GENERAL:

OSCILACION DE FLECHA: .001 [.03] L.T.I. POR EXTENSION DE PULGADA POR LARGO

JUEGO AXIAL: .010 A .063 [.25 A 1.60]

BALEROS: MANGA

POSICION DEL MONTAJE: HORIZONTAL

INFORMACION ELECTRICA:

SOBRECARGA DEL PROTECTOR: REINICIO AUTOMATICO (T.I. 7AM 036)

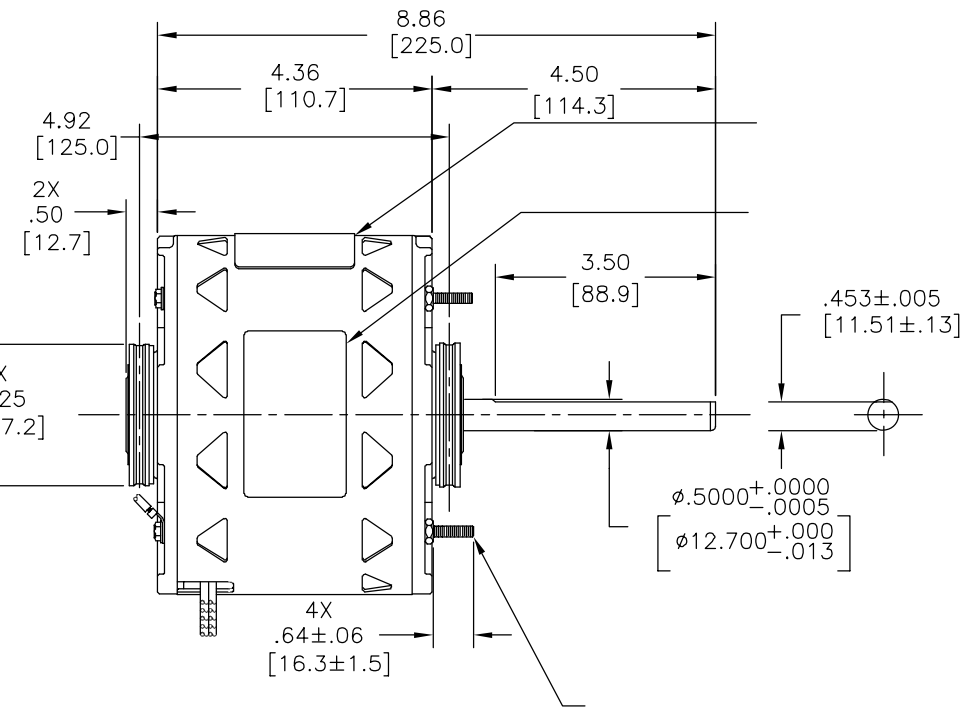
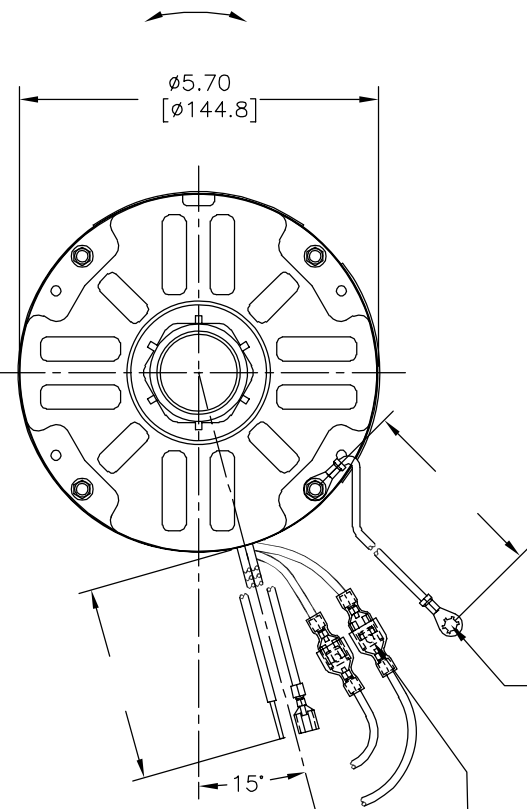
CABLES EN LINEA: NO. 18 GA., .06 [1.5] THK. PVC 125°C AISLANTE

CABLES DE CONTRAMARCHA: NO. 18 GA., .03 [.8] THK., LIGADO EN CRUZ DE POLIETILENO 125°C AISLANTE

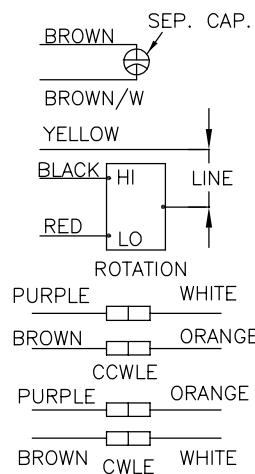
CABLES DE TIERRA: NO. 18 GA., .03 [.8] THK. (VERDE) AISLANTE

2. DISTRIBUTION : CUST P/N: DL003
GRAINGER: CUST P/N:4KA26

VER NOTA 2



MODEL: F48N03A01
CUST. P/N: [-----]
HP: 1/3
ROT: REVERSIBLE
RPM: 1075/2 SPD
TYPE: UF
FRAME: 48Y
VOLTS: 115
PH: 1
AMPS: 4.9 (6.4 MAX.)
HZ: 60
INS: B
AMB: 40 °C
DUTY: AIR OVER
CODE: -
CAP.: 7.5 MFD/370V
ENCL: OPEN
UL LOGO
CSA LOGO
THERMALLY PROTECTED



	9.0/11.0	
	[229/279]	
	4.0/6.0	
	[102/152]	
	4.0/6.0	
	[102/152]	
	4.0/6.0	
	[102/152]	
	4.0/6.0	
	[102/152]	
	25.0/27.0	
	[635/686]	
	25.0/27.0	
	[635/686]	
	25.0/27.0	
	[635/686]	
	25.0/27.0	
	[635/686]	

DESEMPEÑO DE NO CURVA	TORQUE @ 1075 RPM (25°C)	MUESTRA APROVADA	UL COMPONENTE	CSA
C31363	39.1 OZ.FT.	---	#ARCHIVO	#TIPO
			E46412 PRGY2	LR43341 4211-01

CARACTERISTICAS DE GEOMETRIA Y SIMBOLOS

- ∠ PLANICIDAD
- RECTITUD
- ∠ ANGULARIDAD
- ⊥ PERPENDICULARIDAD (A ESCUADRA)
- // PARALELISMO
- REDONDEZ (CIRCULARIDAD)
- ∅ CILINDRICIDAD
- △ PERFIL DE CUALQUIER SUPERFICIE
- ∩ PERFIL DE CUALQUIER LINEA
- ∧ VARIACION
- ⊕ POSICION REAL
- ◎ CONCENTRICIDAD
- = SIMETRIA

ASME Y14.5M 1994

REGAL-BELOIT CORPORATION (RBC) PROVEE ASISTENCIA TECNICA A NUESTROS CLIENTES EN VARIAS AREAS. DESDE QUE RBC NO RECIBE TODOS LOS DATOS EN RELACION AL USO Y A LA APLICACION DEL MOTOR, LA APLICACION ADECUADA DEL MOTOR DEBE SER DETERMINADA POR EL CLIENTE.

DIMENSIONES SIN TOLERANCIA SON DE REFERENCIA SOLAMENTE

DIBUJADO POR: D M JONES 04-06-1999

APROBADO POR: J P MU 04-07-1999

TERCER ANGULO DE PROYECCION

FECHA EDS: 11-11-2011
REV. FORMATO: G

CONFIDENCIAL: ESTE DIBUJO Y SU INFORMACION SON PROPIEDAD DE USO EXCLUSIVO Y CONFIDENCIAL DE REGAL-BELOIT CORPORATION. Y NO DEBERAN SER REVELADOS, DUPLICADOS, DISTRIBUIDOS O USARSE DE OTRA MANERA SIN EL CONSENTIMIENTO ESCRITO DE REGAL-BELOIT CORPORATION. -TODOS LOS DERECHOS RESERVADOS.



DESCRIPCION: MODEL-RFHP-48FR OUTLINE

TAMAÑO: C NUMERO DE DIBUJO: 11760-088

ESCALA: NONE HOJA: 1

4

3

2

1

4

3

2

1

版本	ECO	编制	日期	批准	日期
D	0025543	I. ORTIZ	04-26-2012	D. BALDERRAMA	04-26-2012

总要求:

轴跳动: .001/1 [.03/25.4] (外伸轴)
 端部窜动量: .010 - .063 [.25 - 1.60]
 轴承: 含油轴承
 安装位置: 水平

电气数据:

过载保护: 自动复位 (T. I. 7AM 036)
 18 GA., .06[1.5] 厚. 125° C 绝缘
 换向引线: 18 GA., .03[.8] 厚. 聚乙烯 125° C 绝缘
 接地线: 18 GA., .03 [.8] 厚. (绿色) 绝缘

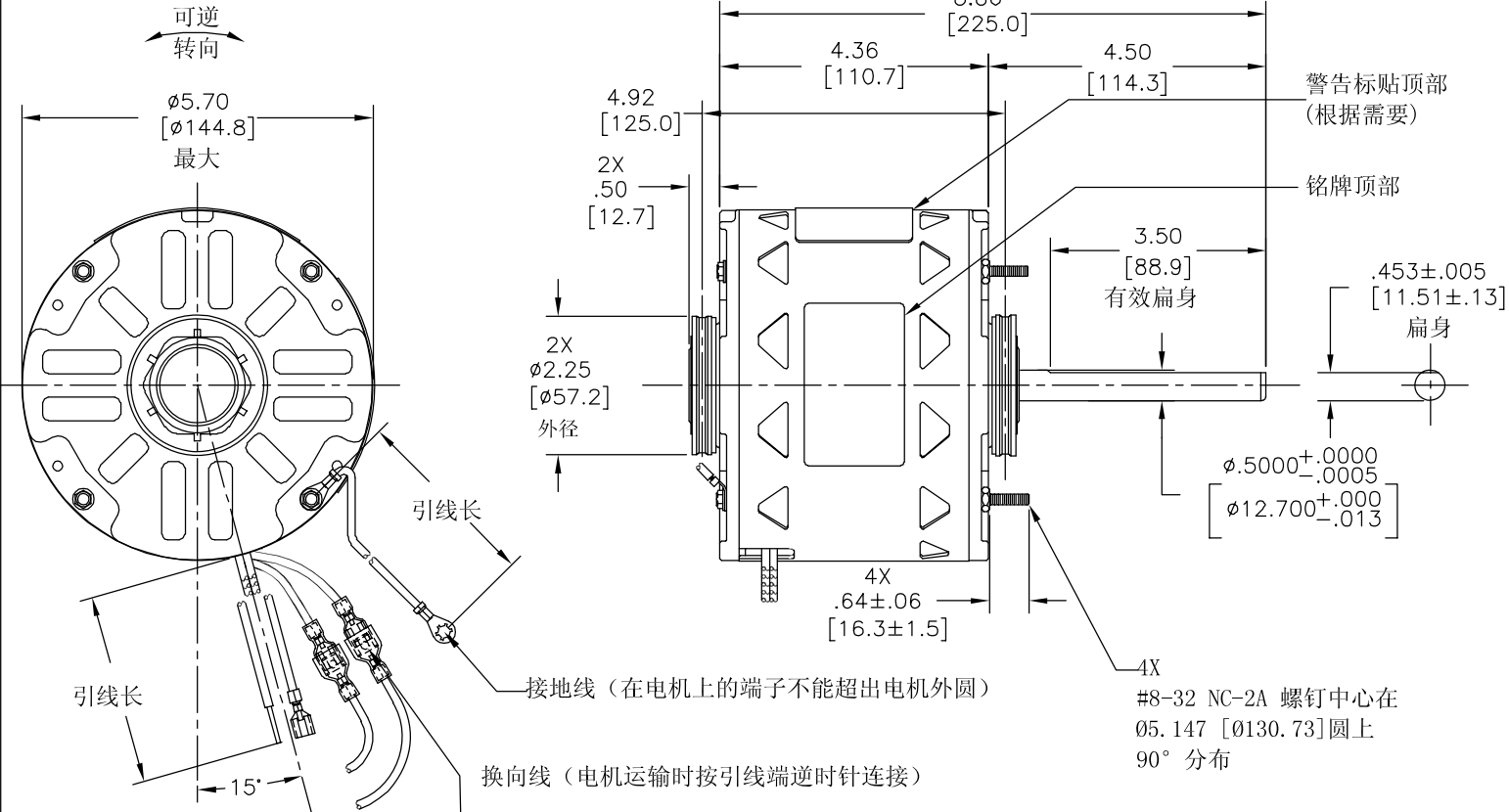
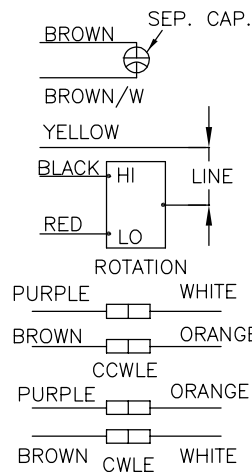
技术要求:
 1. 每台电机包装时附带4个减振圈 (680198-001).
 2. DISTRIBUTION : CUST P/N: DL003
 GRAINGER: CUST P/N:4KA26

SEE NOTE 2

铭牌数据

MODEL: F48N03A01
 CUST. P/N: [-----]
 HP: 1/3
 ROT: REVERSIBLE
 RPM: 1075/2 SPD
 TYPE: UF
 FRAME: 48Y
 VOLTS: 115
 PH: 1
 AMPS: 4.9 (6.4 MAX.)
 HZ: 60
 INS: B
 AMB: 40 °C
 DUTY: AIR OVER
 CODE: -
 CAP.: 7.5 MFD/370V
 ENCL: OPEN
 UL LOGO
 CSA LOGO
 THERMALLY PROTECTED

外部连接详图



绿色 (接地)	9.0/11.0 [229/279]	10# 端子
白色 (换向)	4.0/6.0 [102/152]	.25[6.4] 母铲形插带绝缘套
紫色 (换向)	4.0/6.0 [102/152]	.25[6.4] 母铲形插带绝缘套
橙色 (换向)	4.0/6.0 [102/152]	.25[6.4] 母铲形插带绝缘套
棕色 (换向)	4.0/6.0 [102/152]	.25[6.4] 母铲形插带绝缘套
棕色	25.0/27.0 [635/686]	.25[6.4] 母铲形插
棕色/白色	25.0/27.0 [635/686]	.25[6.4] 母铲形插
黄色	25.0/27.0 [635/686]	.60[15.2] 剥线长
黑色	25.0/27.0 [635/686]	.60[15.2] 剥线长
红色	25.0/27.0 [635/686]	.60[15.2] 剥线长
颜色	长度	端子或剥线长度

非引线端机壳	开放
非引线端端盖	开放
引线端机壳	开放
引线端端盖	开放

用户	DISTRIBUTION SERVICES
----	-----------------------

性能曲线编号	转矩在1075RPM (25° C)	批准样品	UL部件	CSA
C31363	39.1 OZ.FT.	---	文件号 指南	文件号 指南
			E46412 PRGY2	LR43341 4211-01

- 形位公差
- 平面度
- 直线度
- ∠ 倾斜度
- ⊥ 垂直度
- // 平行度
- 圆度
- ⊘ 圆柱度
- ⊙ 圆轮廓度
- △ 面轮廓度
- ∩ 线轮廓度
- ↗ 圆跳动
- ⊕ 位置度
- ⊙ 同轴度
- ≡ 对称度

ASME Y14.5M 1994

REGAL-BELOIT CORPORATION (RBC) 在个别领域为客户提供技术支持。鉴于RBC未收到任何涉及电机使用和应用环境的数据, 电机的适用性由客户自己决定。

未注公差尺寸仅供参考。

绘图:	D M JONES	04-06-1999
批准:	J P MU	04-07-1999
第三角投影		图纸格式发布日期 11-11-2011 图纸格式版本 G
机密: 本图纸及相关信息所有权归REGAL-BELOIT CORPORATION。未经REGAL-BELOIT CORPORATION书面授权, 不得泄露、复制、传播或作其他用途。—版权所有		

名称	MODEL-RFHP-48FR OUTLINE
图幅	C
图号	11760-088
比例	NONE
页号	1

4

3

2

1