

PRODUCT INFORMATION PACKET



Model No: DL005

Catalog No: DL005

Fan and Blower Motor, 1/2 HP, 1 Ph, 60 Hz, 115 V, 1075 RPM, 2 Speed, 48 Frame, OPEN



Regal and Century are trademarks of Regal Rexnord Corporation or one of its affiliated companies.
©2025 Regal Rexnord Corporation, All Rights Reserved. MC017097E





Nameplate Specifications

Phase	1	Output HP	1/2 Hp
Output KW	0.37 kW	Voltage	115 V
Speed	1075 rpm	Service Factor	1.0
Frame	48Y	Enclosure	Open Enclosed
Thermal Protection	Automatic	Ambient Temperature	40 °C
Frequency	60 Hz	Current	6.5 A
Duty	Air Over	Insulation Class	B
UL	Recognized	CSA	Y
CE	N	Number of Speeds	2

Technical Specifications

Electrical Type	Permanent Split Capacitor	Starting Method	Across The Line
Poles	6	Rotation	Reversible
Mounting	Resilient Rings	Motor Orientation	Horizontal
Drive End Bearing	Sleeve	Opp Drive End Bearing	Sleeve
Frame Material	Rolled Steel	Shaft Type	Flat
Overall Length	9.86 in	Frame Length	4.25 in
Shaft Diameter	0.500 in	Shaft Extension	4.5 in
Outline Drawing	11760-089-S01	Connection Drawing	614131-171

This is an uncontrolled document once printed or downloaded and is subject to change without notice. Date Created:02/10/2025

4

3

2

1

GENERAL INFORMATION:

SHAFT RUNOUT: .001 [.03] T.I.R. PER INCH LENGTH OF EXTENSION
 END PLAY: .010[.25] TO .063[1.60]
 BEARINGS: SLEEVE
 MOUNTING POSITION: HORIZONTAL

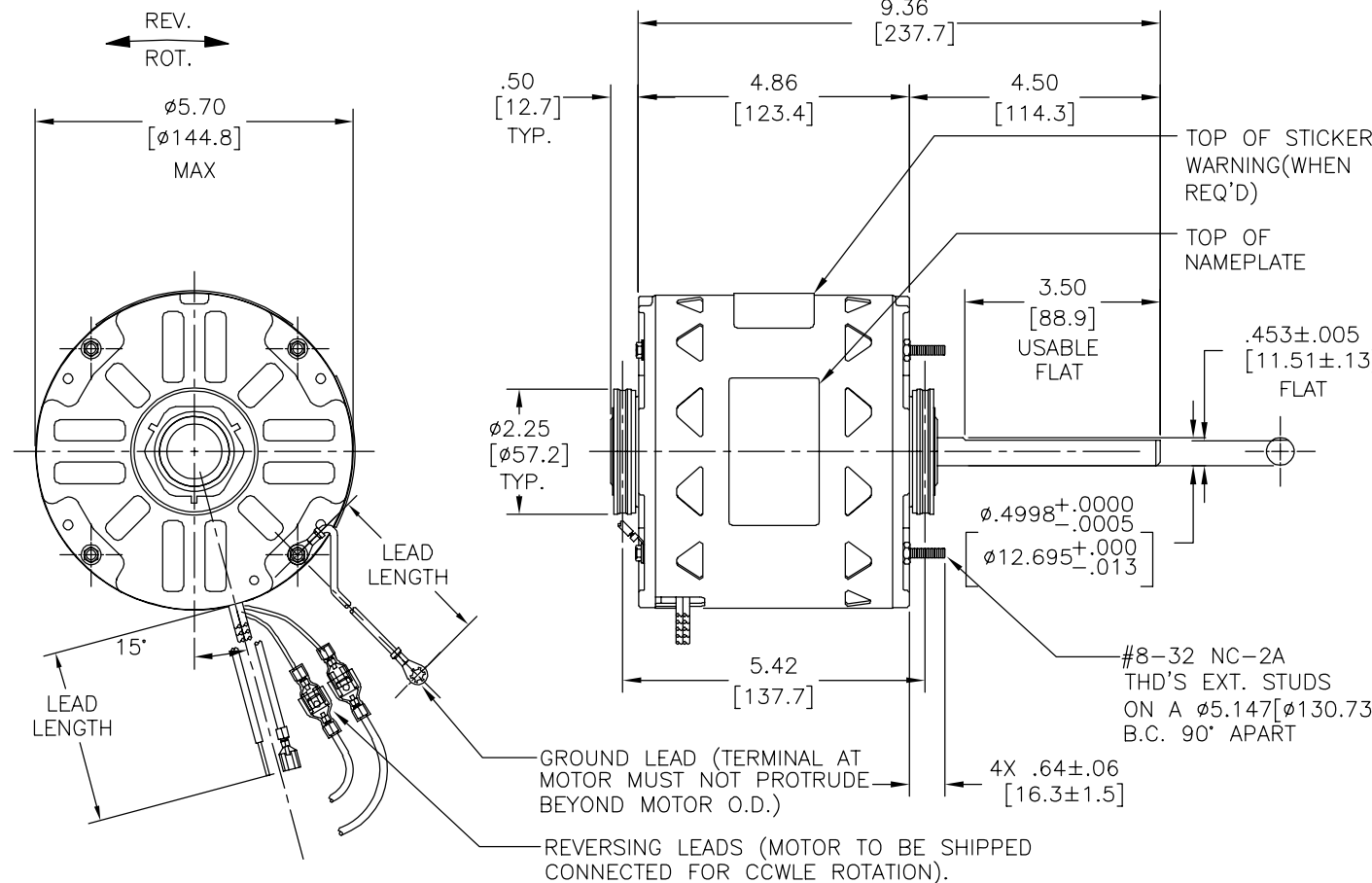
ELECTRICAL DATA:

OVERLOAD PROTECTOR: AUTOMATIC RESET (T.I. 7AM 036)
 LINE LEADS: NO. 18 GA., .06 [1.5] THK. PVC 105°C INSUL.
 REVERSING LEADS: NO. 18 GA., .03 [.8] THK., CROSS-LINKED POLYETHYLENE, 125°C INSUL.
 GROUND LEAD: NO. 18 GA., .03 [.8] THK. (GREEN) INSUL.

- NOTE:
 1. 4X SPLIT RING ADAPTOR 615035 TO BE PACKED WITH EACH MOTOR.
 2. DISTRIBUTION: CUST.P/N: DL005 GRAINGER: CUST.P/N: 4KA28

SEE NOTE 2

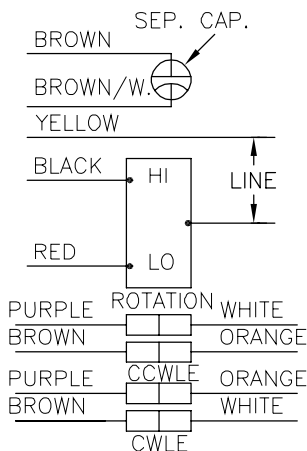
REV	ECO	REV BY	DATE	APPD	DATE
C	0025543	I. ORTIZ	04-26-2012	D. BALDERRAMA	04-26-2012



NAMEPLATE DATA:

EXTERNAL CONNECTION DIAGRAM

MODEL NO.: F48N04A01
 CUST. P/N: []
 HP: 1/2
 ROT.: REVERSIBLE
 RPM: 1075/2 SPD
 TYPE: UF
 FRAME: 48Y
 VOLTS: 115
 PH: 1
 AMPS: 6.5 (9.0 MAX)
 HZ: 60
 INS.: B
 AMB.: 40°C
 DUTY: AIR OVER
 CODE: -
 CAP.: 10.0 MFD/370V
 ENCL: OPEN
 UL LOGO
 CSA LOGO
 THERMALLY PROTECTED



614131-171

GREEN (GRD)	9.0/11.0 [229/279]	#10 EYELET
WHITE (REV)	4.0/6.0 [127/152]	.25[6.4] PRE-INSUL FEMALE SPADE
PURPLE (REV)	4.0/6.0 [127/152]	.25[6.4] PRE-INSUL FEMALE SPADE
ORANGE (REV)	4.0/6.0 [127/152]	.25[6.4] PRE-INSUL FEMALE SPADE
BROWN (REV)	4.0/6.0 [127/152]	.25[6.4] PRE-INSUL FEMALE SPADE
BROWN	25.0/27.0 [635/686]	.25[6.4] FRAME SPADE
BROWN/WHITE	25.0/27.0 [635/686]	.25[6.4] FRAME SPADE
YELLOW	25.0/27.0 [635/686]	.60 [15.2] SKIN
BLACK	25.0/27.0 [635/686]	.60 [15.2] SKIN
RED	25.0/27.0 [635/686]	.60 [15.2] SKIN
COLOR	LENGTH	TERMINAL OR STRIP LENGTH

MAIN FRAME - OLE	OPEN
END FRAME - OLE	OPEN
MAIN FRAME - LE	OPEN
END FRAME - LE	OPEN

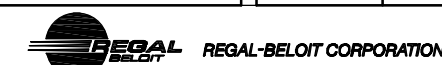
CUSTOMER	DISTRIBUTION SERVICE
----------	----------------------

PERFORMANCE CURVE NO.	TORQUE @ 1075 RPM (25°C)	APPROVED SAMPLE	UL COMPONENT FILE #	CCN #	CSA FILE #	CLASS #
C31357	50.7 OZ. FT.	----	E46412	PRGY2	LR43341	260-φ-0

GEOMETRIC CHARACTERISTICS & SYMBOLS
 ▽ FLATNESS
 — STRAIGHTNESS
 ∠ ANGULARITY
 ⊥ PERPENDICULARITY (SQUARENESS)
 // PARALLELISM
 ○ ROUNDNESS (CIRCULARITY)
 ∅ CYLINDRICITY
 △ PROFILE OF ANY SURFACE
 ∩ PROFILE OF ANY LINE
 ↗ RUNOUT
 ⊕ TRUE POSITION
 ⊙ CONCENTRICITY
 = SYMMETRY
 ASME Y14.5M 1994

REGAL-BELOIT CORPORATION (RBC) PROVIDES TECHNICAL ASSISTANCE TO OUR CUSTOMERS IN SEVERAL AREAS. SINCE RBC DOES NOT RECEIVE ALL DATA CONCERNING THE USE AND APPLICATION OF THE MOTOR, THE SUITABILITY OF THE MOTOR FOR THE APPLICATION MUST BE DETERMINED BY THE CUSTOMER.
 DIMENSIONS WITHOUT TOLERANCES ARE FOR REFERENCE ONLY.

DR BY: D M JONES 04-06-1999
 APPD: J P MU 04-06-1999
 THIRD ANGLE PROJECTION
 EDS DATE 11-11-2011
 FORMAT REV G
 CONFIDENTIAL: THIS DRAWING AND ITS INFORMATION ARE THE EXCLUSIVE AND CONFIDENTIAL PROPERTY OF REGAL-BELOIT CORPORATION AND ARE NOT TO BE DISCLOSED, DUPLICATED, DISTRIBUTED OR OTHERWISE USED WITHOUT THE WRITTEN CONSENT OF REGAL-BELOIT CORPORATION. -ALL RIGHTS RESERVED.



DESCRIPTION	
MODEL-RFHP-48FR OUTLINE	
SIZE C	DWG NO 11760-089
SCALE NONE	SHEET 1

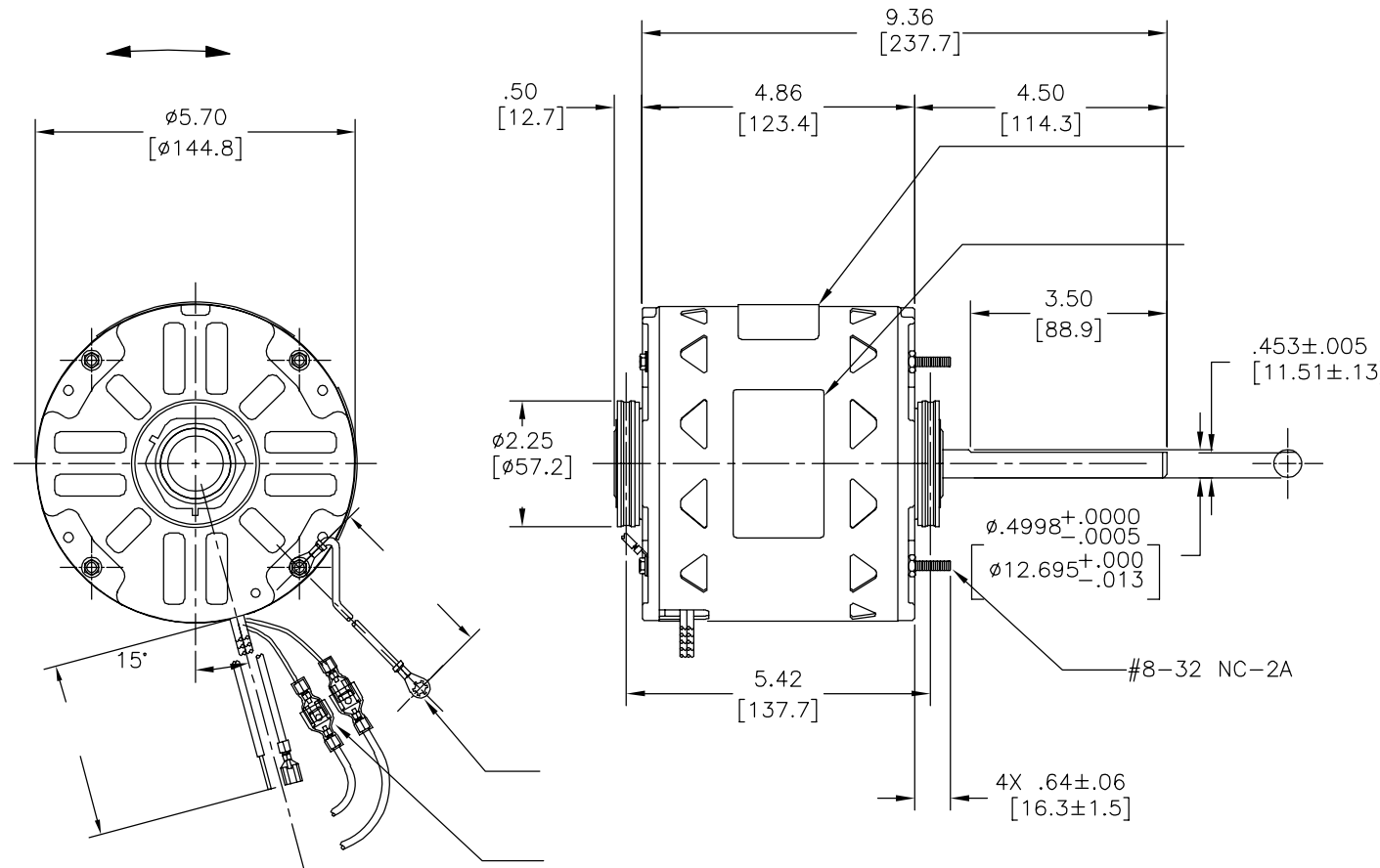
4

3

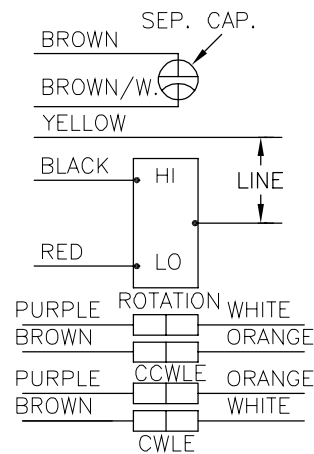
2

1

版本	ECO	编制	日期	批准	日期
C	0025543	I. ORTIZ	04-26-2012	D. BALDERRAMA	04-26-2012



MODEL NO.: F48N04A01
 CUST. P/N: []
 HP: 1/2
 ROT.: REVERSIBLE
 RPM: 1075/2 SPD
 TYPE: UF
 FRAME: 48Y
 VOLTS: 115
 PH: 1
 AMPS: 6.5 (9.0 MAX)
 HZ: 60
 INS.: B
 AMB.: 40°C
 DUTY: AIR OVER
 CODE: -
 CAP.: 10.0 MFD/370V
 ENCL: OPEN
 UL LOGO
 CSA LOGO
 THERMALLY PROTECTED



614131-171

	9.0/11.0 [229/279]	
	4.0/6.0 [127/152]	.25[6.4]
	4.0/6.0 [127/152]	.25[6.4]
	4.0/6.0 [127/152]	.25[6.4]
	4.0/6.0 [127/152]	.25[6.4]
	25.0/27.0 [635/686]	.25[6.4]
	25.0/27.0 [635/686]	.25[6.4]
	25.0/27.0 [635/686]	.60 [15.2]
	25.0/27.0 [635/686]	.60 [15.2]
	25.0/27.0 [635/686]	.60 [15.2]

DISTRIBUTION SERVICE

- 形位公差
- 平面度
- 直线度
- ∠ 倾斜度
- ⊥ 垂直度
- // 平行度
- 圆度
- ⊘ 圆柱度
- ⊙ 面轮廓度
- △ 线轮廓度
- ∩ 圆跳动
- ⊕ 位置度
- ⊙ 同轴度
- ≡ 对称度

ASME Y14.5M 1994

REGAL-BELOIT CORPORATION (RBC) 在个别领域为客户提供技术支持。鉴于RBC未收到任何涉及电机使用和应用环境的数据，电机的适用性由客户自己决定。

未注公差尺寸仅供参考。

绘图: D M JONES

04-06-1999

批准: J P MU

04-06-1999

第三角投影



图纸格式发布日期 11-11-2011
 图纸格式版本 G

机密: 本图纸及相关信息所有权归REGAL-BELOIT CORPORATION。未经REGAL-BELOIT CORPORATION书面授权, 不得泄露、复制、传播或作其他用途。—版权所有



名称

MODEL-RFHP-48FR
 OUTLINE

图幅

C

图号

11760-089

比例

NONE

页号

1

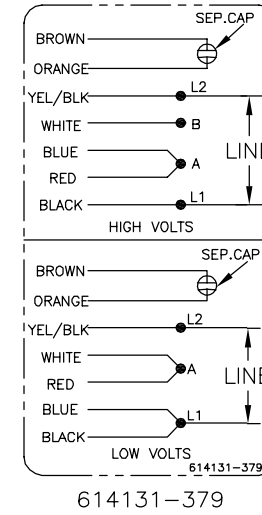
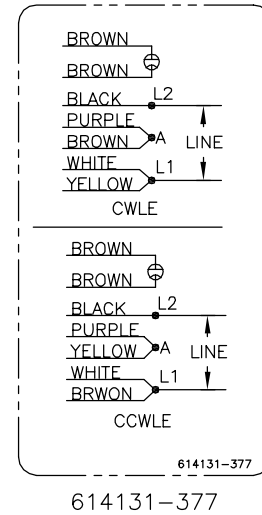
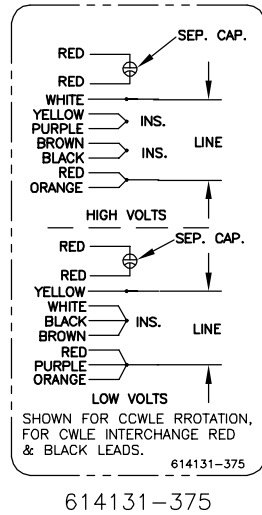
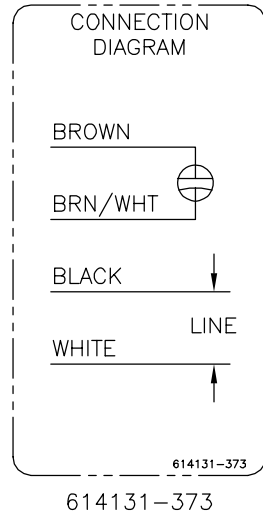
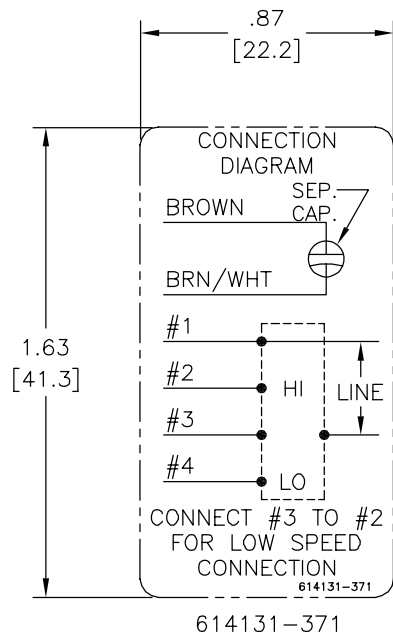
4

3

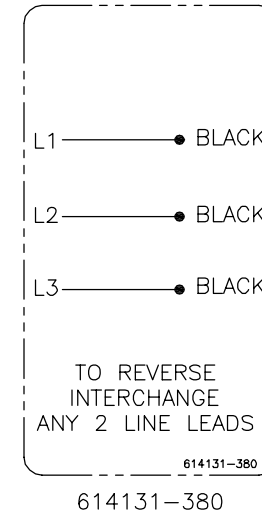
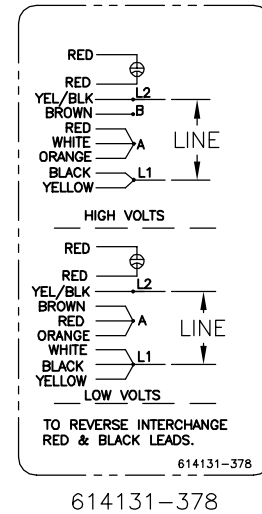
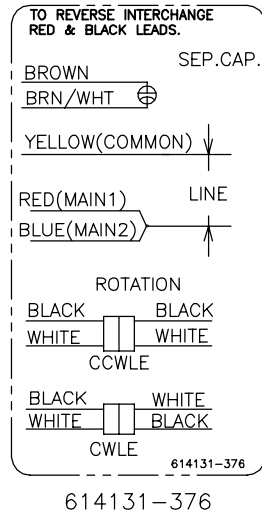
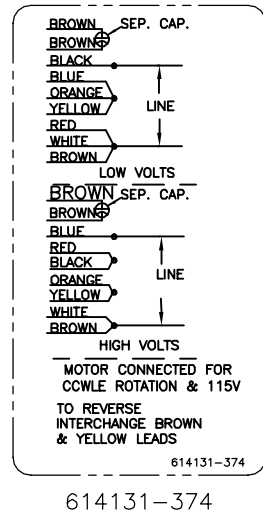
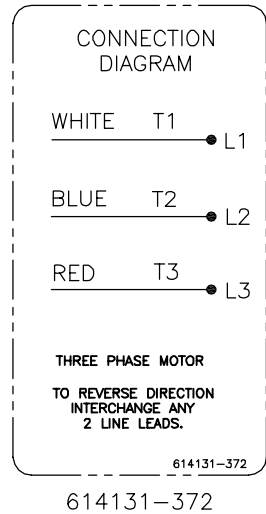
2

1

REV	REFERENCE ECN	REFERENCE PROJECT	REV BY	DATE	APPD	DATE
D.04	00017504	0703436	Hong	04/09/2008		



LOW VOLTS (CWLE)



NOTES:

- FOR USE WITH 614129 NAMEPLATE BLANK
- INDICATES DIMENSION LIMITS
- DIE TO BE MADE FROM MASTER SUPPLIED BY A. O. SMITH CORPORATION
- DIE MUST PRODUCE A LEGIBLE IMPRESSION.

GEOMETRIC CHARACTERISTICS & SYMBOLS

- FLATNESS
- STRAIGHTNESS
- ∠ ANGULARITY
- ⊥ PERPENDICULARITY (SQUARENESS)
- // PARALLELISM
- ROUNDNESS (CIRCULARITY)
- ∅ CYLINDRICITY
- △ PROFILE OF ANY SURFACE
- ∩ PROFILE OF ANY LINE
- ↗ RUNOUT
- ⊕ TRUE POSITION
- ◎ CONCENTRICITY
- ≡ SYMMETRY

UNLESS OTHERWISE SPECIFIED DIM. TOLERANCES ARE AS FOLLOWS:

INCH	X	XX	XXX	XXXX
	±.1	±.02	±.005	±.0005
mm	±0.5	±0.13	±0.013	
ANG. ±.50 DEG				
REMOVE BURRS & BREAK SHARP EDGES:				
INCH	.003-.015	mm	0.1-0.4	
CORNER FILLETS TO:				
INCH	.020	mm	0.5	
MACHINE SURFACES:				
INCH	125	mm	3.2	
METRIC DIMS. SHOWN IN [BRACKETS]				

DR BY:	jrupert	08-15-2007
APPD:	cbranch	08/15/2007
THIRD ANGLE PROJECTION	⊕	EDS DATE 01-21-2007 FORMAT REV E
CONFIDENTIAL: THIS DRAWING AND ITS INFORMATION ARE THE EXCLUSIVE AND CONFIDENTIAL PROPERTY OF A.O. SMITH CORP. AND ARE NOT TO BE DISCLOSED, DUPLICATED, DISTRIBUTED OR OTHERWISE USED WITHOUT THE WRITTEN CONSENT OF A.O. SMITH CORP. -ALL RIGHTS RESERVED. ASME Y14.5M 1994		

A.O. SMITH ELECTRICAL PRODUCTS COMPANY TIPP CITY, OHIO		A DIVISION OF A. O. SMITH CORPORATION COPYRIGHT 1995	
DESCRIPTION CONN DIAGRAM - EXTERNAL			
SIZE C	DWG NO 614131	-371 THRU -380	
SCALE NONE			SHEET 38

4

3

2

1

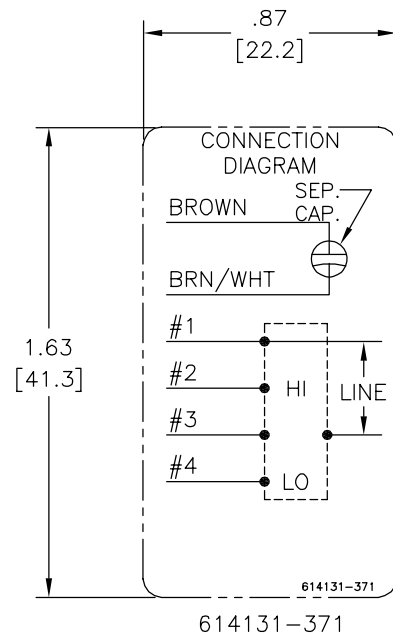
4

3

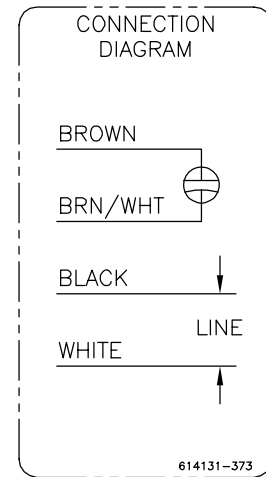
2

1

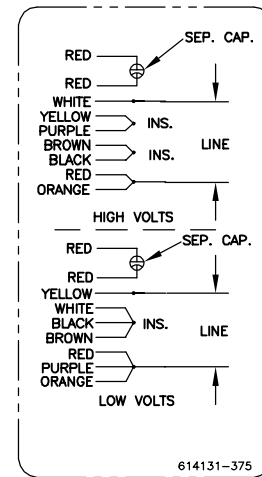
REVISION: D.04	ECN REFERENCIA: 00017504	PROYECTO REFERENCIA: 0703436	REVISADO POR: Hong	FECHA: 04/09/2008	APROBADO POR:	FECHA:
----------------	--------------------------	------------------------------	--------------------	-------------------	---------------	--------



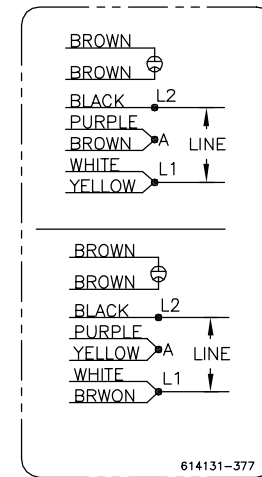
614131-371



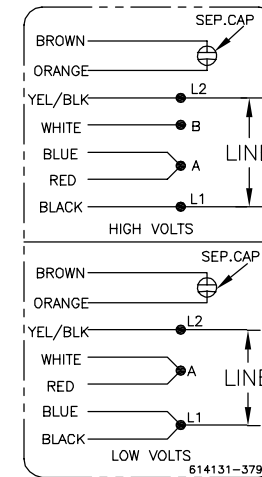
614131-373



614131-375

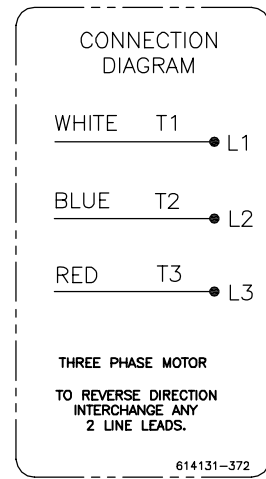


614131-377

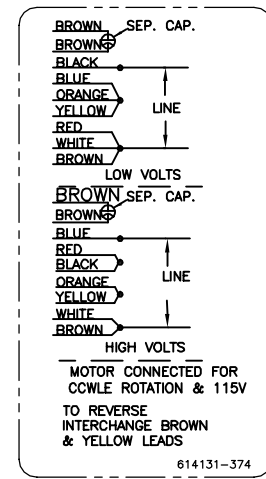


614131-379

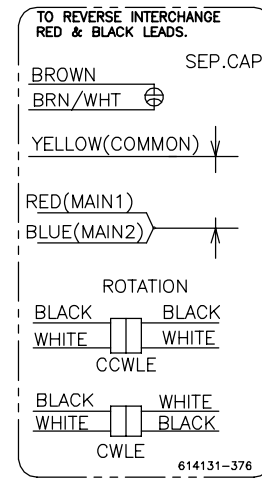
LOW VOLTS (CWLE)



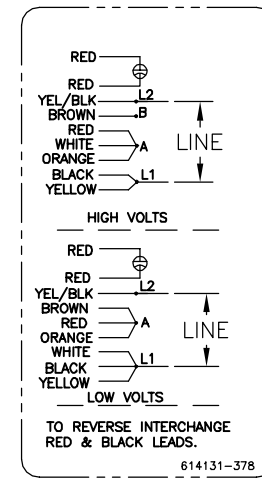
614131-372



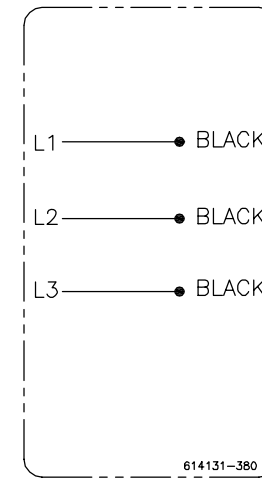
614131-374



614131-376



614131-378



614131-380

NOTES:

- FOR USE WITH 614129 NAMEPLATE BLANK
- INDICATES DIMENSION LIMITS
- DIE TO BE MADE FROM MASTER SUPPLIED BY A. O. SMITH CORPORATION
- DIE MUST PRODUCE A LEGIBLE IMPRESSION.

CARACTERISTICAS DE GEOMETRIA Y SIMBOLOS

- PLANICIDAD
- RECTITUD
- ∠ ANGULARIDAD
- ⊥ PERPENDICULARIDAD (A ESCUADRA)
- // PARALELISMO
- REDONDEZ (CIRCULARIDAD)
- ∅ CILINDRICIDAD
- △ PERFIL DE CUALQUIER SUPERFICIE
- ∧ PERFIL DE CUALQUIER LINEA
- ∩ VARIACION
- ⊕ POSICION REAL
- ⊙ CONCENTRICIDAD
- = SIMETRIA

A MENOS QUE SE ESPECIFIQUE DE OTRA MANERA, LAS TOLERANCIAS DE LAS DIMS; SON LAS SIGUIENTES:

mm ±0.5 ±0.13 ±0.013

PULG ±.1 ±.02 ±.005 ±.0005

FILETEAR ESQUINA: PULG .020 mm 0.5

MAQUINAR SUPERFICIES

PULG 125 mm 3.2

DIMS METRICAS MOSTRADAS [PARENTESIS]

DIBUJADO POR: jrupert

APROBADO POR: cbranh

TERCER ANGULO DE PROYECCION

CONFIDENCIAL: ESTE DIBUJO Y SU INFORMACION SON PROPIEDAD DE USO EXCLUSIVO Y CONFIDENCIAL DE A.O.SMITH CORP. Y NO DEBERAN SER REVELADOS, DUPLICADOS, DISTRIBUIDOS O USARSE DE OTRA MANERA SIN EL CONSENTIMIENTO ESCRITO DE A.O. SMITH CORP. -TODOS LOS DERECHOS RESERVADOS.ASME Y14.5M 1994

DIBUJADO POR: jrupert

APROBADO POR: cbranh

TERCER ANGULO DE PROYECCION

CONFIDENCIAL: ESTE DIBUJO Y SU INFORMACION SON PROPIEDAD DE USO EXCLUSIVO Y CONFIDENCIAL DE A.O.SMITH CORP. Y NO DEBERAN SER REVELADOS, DUPLICADOS, DISTRIBUIDOS O USARSE DE OTRA MANERA SIN EL CONSENTIMIENTO ESCRITO DE A.O. SMITH CORP. -TODOS LOS DERECHOS RESERVADOS.ASME Y14.5M 1994

DESCRIPCION: CONN DIAGRAM - EXTERNAL

TAMAÑO: C

NUMERO DE DIBUJO: 614131 -371 THRU -380

ESCALA: NONE

HOJA: 38

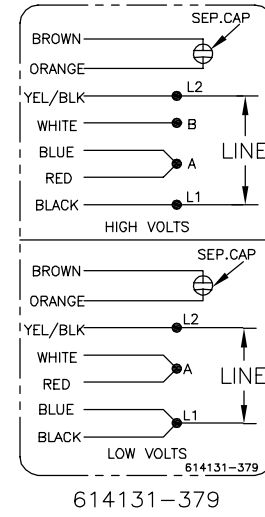
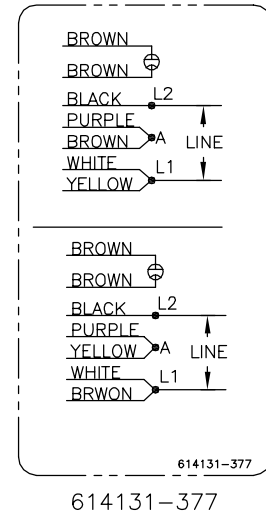
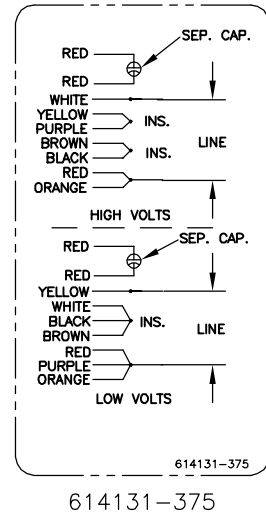
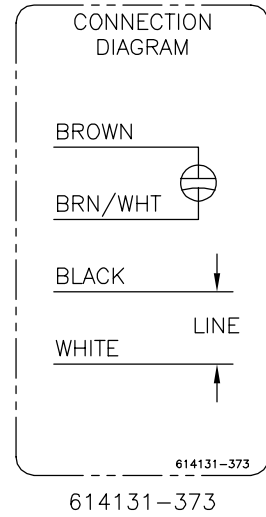
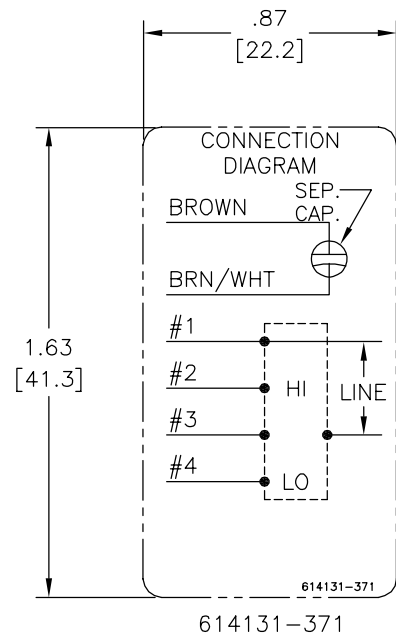
4

3

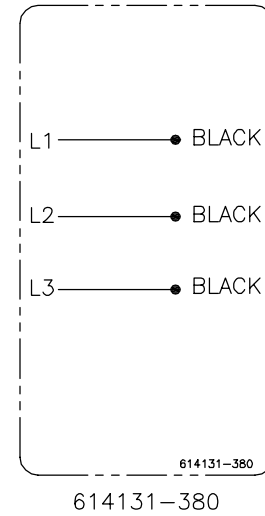
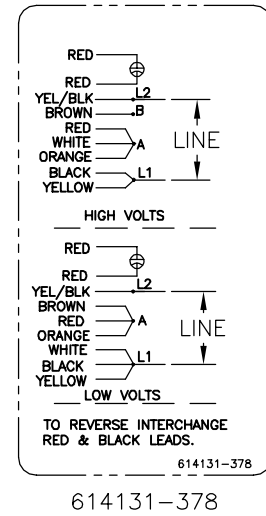
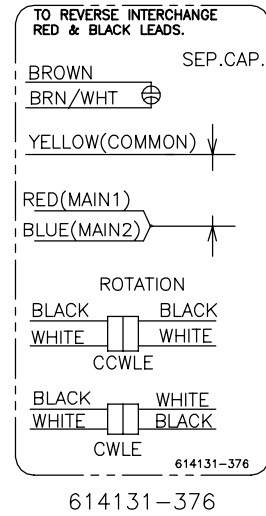
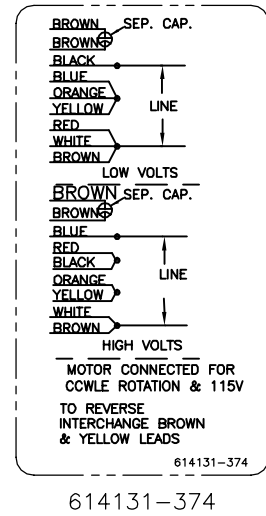
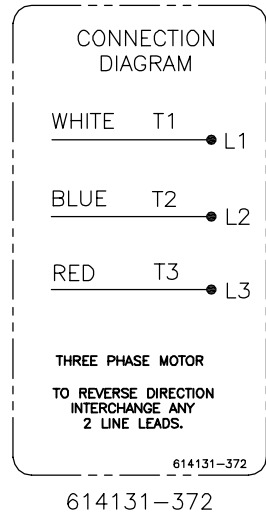
2

1

??	?????	???	??	??	??	??
D.04	00017504	0703436	Hong	04/09/2008		



LOW VOLTS (CWLE)



- NOTES:
- FOR USE WITH 614129 NAMEPLATE BLANK
 - INDICATES DIMENSION LIMITS
 - DIE TO BE MADE FROM MASTER SUPPLIED BY A. O. SMITH CORPORATION
 - DIE MUST PRODUCE A LEGIBLE IMPRESSION.

□ ???
- ???
< ???
↑ ???
// ???
○ ??
△ ???
▽ ???
∠ ???
∩ ???
∪ ???
⊕ ???
⊗ ???
= ???

????
??????
?? X XX XXX XXXX
?? ±.1 ±.02 ±.005 ±.0005
?? ±0.5 ±0.13 ±0.013
?? ±50 ?
??????
?? .003-.015 ?? 0.1-0.4
??
?? .020 ?? 0.5
????
?? 125 ?? 3.2
?????? []

??:	jrupert	08-15-2007
??:	cbranch	08/15/2007
?????		01-21-2007
??:	????????	01-21-2007
??:	????????	E
??:	????????	A.O.SMITH?????
??:	????????	A.O.SMITH?????
??:	??????	??????
ASME	Y14.5M	1994

A.O. SMITH		A DIVISION OF A. O. SMITH CORPORATION	
ELECTRICAL PRODUCTS COMPANY		TIPP CITY, OHIO	
COPYRIGHT 1995		FS	
CONN DIAGRAM - EXTERNAL			
C	614131	-371 THRU	-380
NONE			38