

PRODUCT INFORMATION PACKET



Model No: DL007

Catalog No: DL007

Fan and Blower Motor, 3/4 HP, 1 Ph, 60 Hz, 115 V, 1075 RPM, 2 Speed, 48 Frame, OPEN



Regal and Century are trademarks of Regal Rexnord Corporation or one of its affiliated companies.
©2025 Regal Rexnord Corporation, All Rights Reserved. MC017097E





Nameplate Specifications

Phase	1	Output HP	3/4 Hp
Output KW	0.56 kW	Voltage	115 V
Speed	1075 rpm	Service Factor	1.0
Frame	48Y	Enclosure	Open Enclosed
Thermal Protection	Automatic	Ambient Temperature	50 °C
Frequency	60 Hz	Current	8.9 A
Duty	Air Over	Insulation Class	B
UL	Recognized	CSA	Y
CE	N	Number of Speeds	2

Technical Specifications

Electrical Type	Permanent Split Capacitor	Starting Method	Across The Line
Poles	6	Rotation	Reversible
Mounting	Resilient Rings	Motor Orientation	Any
Drive End Bearing	Sleeve	Opp Drive End Bearing	Sleeve
Frame Material	Rolled Steel	Shaft Type	Flat
Overall Length	10.61 in	Frame Length	5.00 in
Shaft Diameter	0.500 in	Shaft Extension	4.5 in
Outline Drawing	11760-082-S01	Connection Drawing	614131-171

This is an uncontrolled document once printed or downloaded and is subject to change without notice. Date Created:02/10/2025

4

3

2

1

REV	ECO	REV BY	DATE	APPD	DATE
B	0025543	I. ORTIZ	04-26-2012	D. BALDERRAMA	04-26-2012

GENERAL INFORMATION:

SHAFT RUNOUT: .001 [.03] T.I.R. PER INCH LENGTH OF EXTENSION

END PLAY: .010 TO .063 [.25 TO 1.60]

BEARINGS: SLEEVE

MOUNTING POSITION: ALL ANGLE

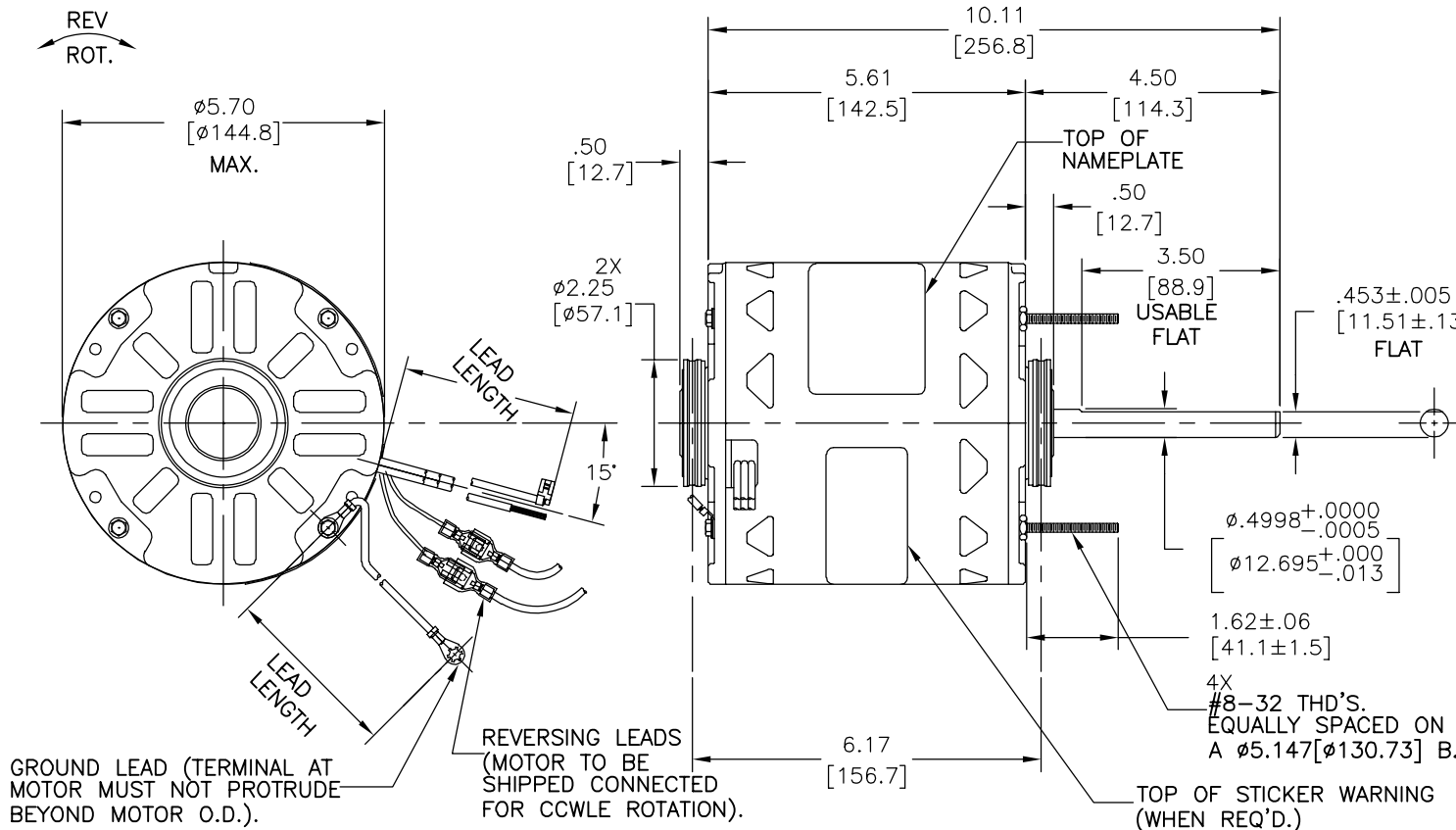
ELECTRICAL DATA:

OVERLOAD PROTECTOR: AUTOMATIC RESET (T.I. 7AM 036)

LEADS: NO. 18 GA., .06 [1.5] THK., 105°C INSUL.

REVERSING LEADS: NO. 18 GA., .03 [.8] THK., 125°C INSUL.

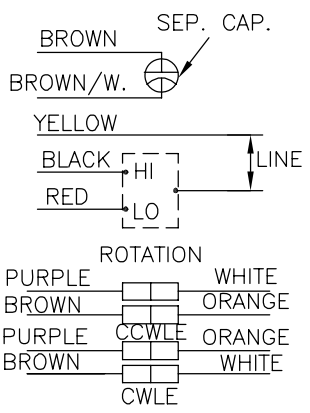
GROUND LEADS: NO. 18 GA., .03 [.8] THK., (GREEN) INSUL.



NAMEPLATE DATA:

EXTERNAL CONNECTION DIAGRAM

MODEL NO.: F48M87A01
 CUST. P/N:
 HP: 3/4
 ROT: REVERSIBLE
 RPM: 1075/2 SPD.
 TYPE: UF
 FRAME: 48Y
 VOLTS: 115
 PH: 1
 AMPS: 8.9 (10.3 MAX)
 HZ: 60
 INS: B
 AMB: 50°C
 DUTY: AIR OVER
 CAP.: 15 MFD/370V
 ENCL: OPEN
 CSA LOGO
 UL LOGO
 THERMALLY PROTECTED



* C24158 EXCEPT HI & LO SPEEDS ONLY

614131-171

GREEN (GRD)	12/13 [305/330]	10# EYELET
BROWN (REV)	4.5/5.5 [114/140]	.25[6.4]. FEMALE INSUL SPADE
WHITE (REV)	4.5/5.5 [114/140]	.25[6.4]. MALE INSUL. SPADE
ORANGE (REV)	4.5/5.5 [114/140]	.25[6.4]. MALE INSUL. SPADE
PURPLE (REV)	4.5/5.5 [114/140]	.25[6.4]. FEMALE INSUL SPADE
BROWN	26/28 [660/711]	.25[6.4] FLAG
BROWN/WHITE	26/28 [660/711]	.25[6.4] FLAG
YELLOW	26/28 [660/711]	.50[12.7] SKIN
BLACK	26/28 [660/711]	.50[12.7] SKIN
RED	26/28 [660/711]	.50[12.7] SKIN
COLOR	LENGTH	TERMINAL OR STRIP LENGTH

- NOTE:
- SNAP RINGS 615035 (4 REQ'D) TO BE PACKED WITH EACH MOTOR
 - DISTRIBUTION PART NUMBER: DL007
GRAINGER PART NUMBER: 4KA30

MAIN FR. - OLE	OPEN
END FR. - OLE	OPEN
MAIN FR. - LE	OPEN
END FR. - LE	OPEN

CUST.	DISTRIBUTION SERVICES
-------	-----------------------

PERFORMANCE CURVE NO.	TORQUE @ 1075 RPM (25°C)	APPROVED SAMPLE	UL COMPONENT FILE #	CSA GUIDE #
*	64.6 OZ. FT.	-----	E46412 PRGY2	LR43341 260-0-0

GEOMETRIC CHARACTERISTICS & SYMBOLS
 ▽ FLATNESS
 - STRAIGHTNESS
 < ANGLARITY
 ⊥ PERPENDICULARITY (SQUARENESS)
 // PARALLELISM
 ○ ROUNDNESS (CIRCULARITY)
 ∅ CYLINDRICITY
 △ PROFILE OF ANY SURFACE
 ∩ PROFILE OF ANY LINE
 ↗ RUNOUT
 ⊕ TRUE POSITION
 ⊙ CONCENTRICITY
 = SYMMETRY
 ASME Y14.5M 1994

REGAL-BELOIT CORPORATION (RBC) PROVIDES TECHNICAL ASSISTANCE TO OUR CUSTOMERS IN SEVERAL AREAS. SINCE RBC DOES NOT RECEIVE ALL DATA CONCERNING THE USE AND APPLICATION OF THE MOTOR, THE SUITABILITY OF THE MOTOR FOR THE APPLICATION MUST BE DETERMINED BY THE CUSTOMER.
 DIMENSIONS WITHOUT TOLERANCES ARE FOR REFERENCE ONLY.

DR BY: D M JONES 03-15-1999
 APPD: J P MU 03-15-1999
 THIRD ANGLE PROJECTION
 EDS DATE 11-11-2011
 FORMAT REV G
 CONFIDENTIAL: THIS DRAWING AND ITS INFORMATION ARE THE EXCLUSIVE AND CONFIDENTIAL PROPERTY OF REGAL-BELOIT CORPORATION AND ARE NOT TO BE DISCLOSED, DUPLICATED, DISTRIBUTED OR OTHERWISE USED WITHOUT THE WRITTEN CONSENT OF REGAL-BELOIT CORPORATION. -ALL RIGHTS RESERVED.

REGAL-BELOIT CORPORATION

DESCRIPTION: MODEL-RFHP-48FR OUTLINE

SIZE: C DWG NO: 11760-082

SCALE: NONE SHEET: 1

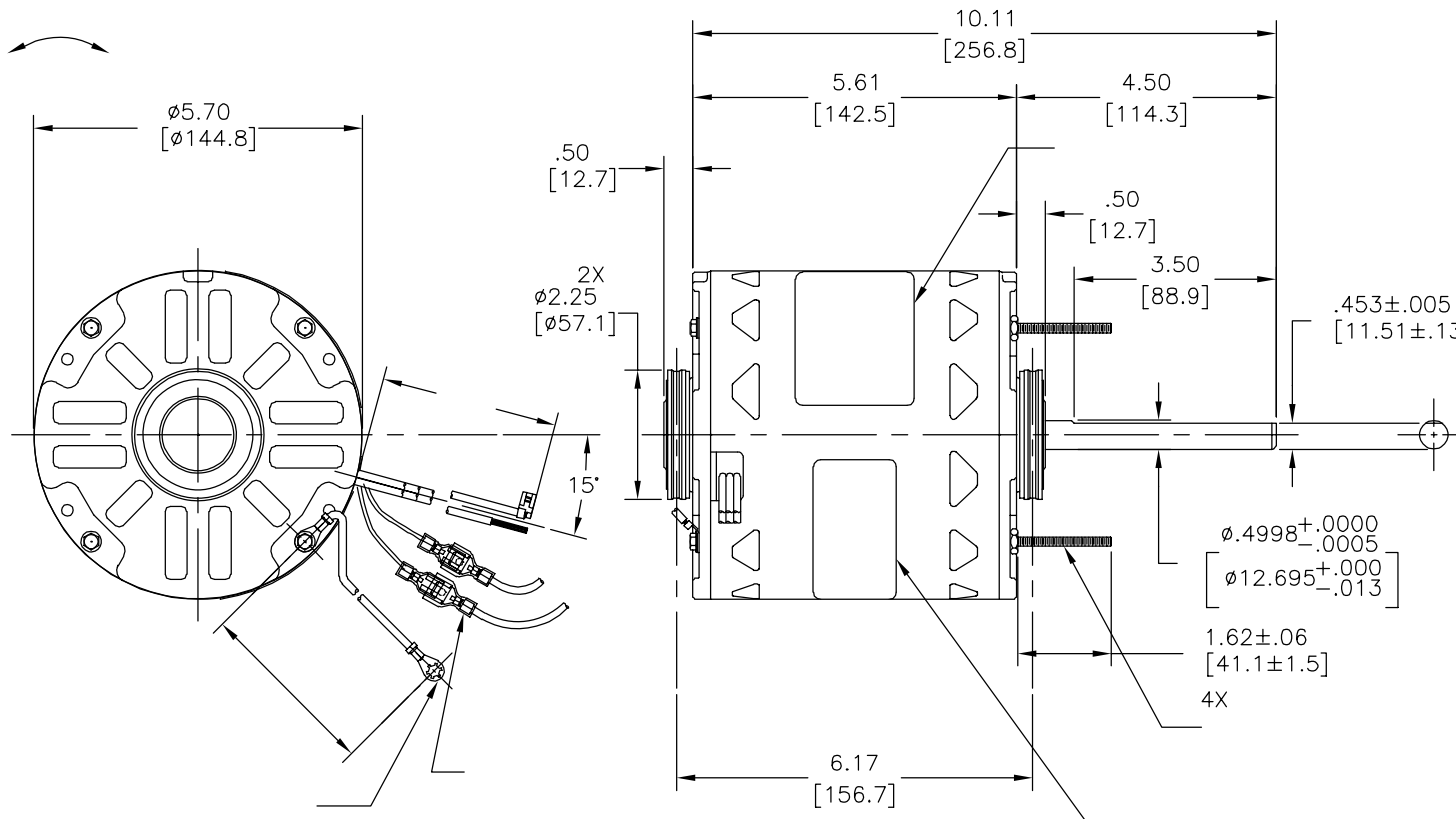
4

3

2

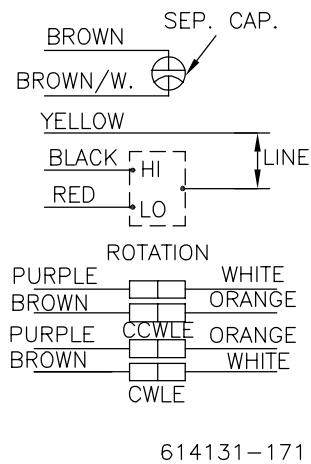
1

REVISION:	ECO	REVISADO POR:	FECHA:	APROBADO POR:	FECHA:
B	0025543	I. ORTIZ	04-26-2012	D. BALDERRAMA	04-26-2012



SEE NOTE 2

MODEL NO.: F48M87A01
 CUST. P/N: □□□□
 HP: 3/4
 ROT: REVERSIBLE
 RPM: 1075/2 SPD.
 TYPE: UF
 FRAME: 48Y
 VOLTS: 115
 PH: 1
 AMPS: 8.9 (10.3 MAX)
 HZ: 60
 INS: B
 AMB: 50°C
 DUTY: AIR OVER
 CAP.: 15 MFD/370V
 ENCL: OPEN
 CSA LOGO
 UL LOGO
 THERMALLY PROTECTED



614131-171

	12/13	
	[305/330]	
	4.5/5.5	.25[6.4].
	[114/140]	
	4.5/5.5	.25[6.4].
	[114/140]	
	4.5/5.5	.25[6.4].
	[114/140]	
	4.5/5.5	.25[6.4].
	[114/140]	
	26/28	.25[6.4].
	[660/711]	
	26/28	.25[6.4].
	[660/711]	
	26/28	.50[12.7]
	[660/711]	
	26/28	.50[12.7]
	[660/711]	
	26/28	.50[12.7]
	[660/711]	

DISTRIBUTION SERVICES

CARACTERISTICAS DE GEOMETRIA Y SIMBOLOS
 ▽ PLANICIDAD
 — RECTITUD
 ∠ ANGULARIDAD
 ⊥ PERPENDICULARIDAD (A ESCUADRA)
 // PARALELISMO
 ○ REDONDEZ (CIRCULARIDAD)
 ∅ CILINDRICIDAD
 △ PERFIL DE CUALQUIER SUPERFICIE
 ∩ PERFIL DE CUALQUIER LINEA
 ↗ VARIACION
 ⊕ POSICION REAL
 ⊙ CONCENTRICIDAD
 = SIMETRIA
 ASME Y14.5M 1994

REGAL-BELOIT CORPORATION (RBC)
 PROVEE ASISTENCIA TECNICA A
 NUESTROS CLIENTES EN VARIAS AREAS.
 DESDE QUE RBC NO RECIBE TODOS
 LOS DATOS EN RELACION AL USO Y A
 LA APLICACION DEL MOTOR, LA
 APLICACION ADECUADA DEL MOTOR
 DEBE SER DETERMINADA POR EL
 CLIENTE.

DIMENSIONES SIN TOLERANCIA SON
 DE REFERENCIA SOLAMENTE

DIBUJADO POR:
 D M JONES
 03-15-1999

APROBADO POR:
 J P MU
 03-15-1999

TERCER ANGULO
 DE PROYECCION

CONFIDENCIAL: ESTE DIBUJO Y SU INFORMACION
 SON PROPIEDAD DE USO EXCLUSIVO Y CONFIDENCIAL DE
 REGAL-BELOIT CORPORATION. Y NO DEBERAN SER REVELADOS,
 DUPLICADOS, DISTRIBUIDOS O USARSE DE OTRA MANERA
 SIN EL CONSENTIMIENTO ESCRITO DE REGAL-BELOIT
 CORPORATION. -TODOS LOS DERECHOS RESERVADOS.



DESCRIPCION:
 MODEL-RFHP-48FR
 OUTLINE

TAMAÑO: C NUMERO DE DIBUJO:
 11760-082

ESCALA: NONE HOJA: 1

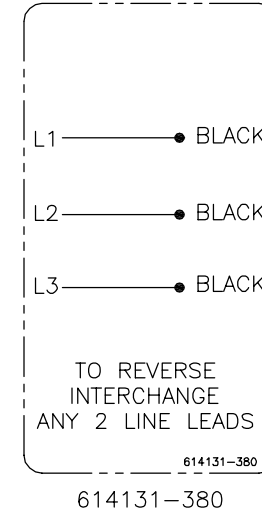
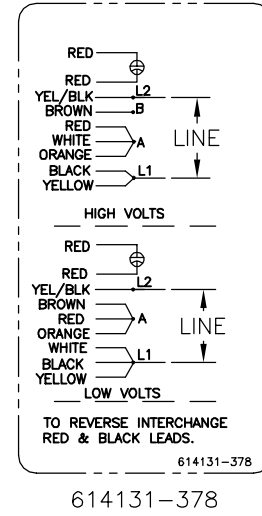
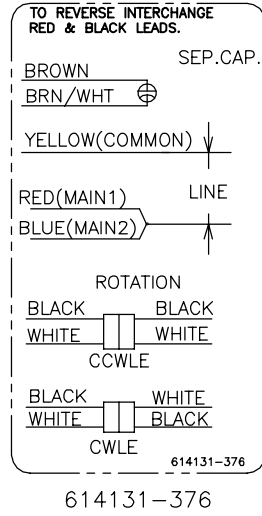
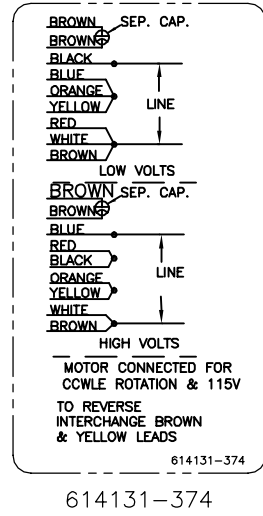
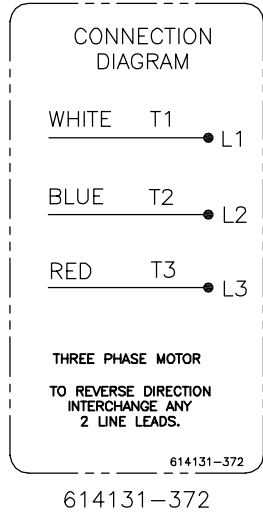
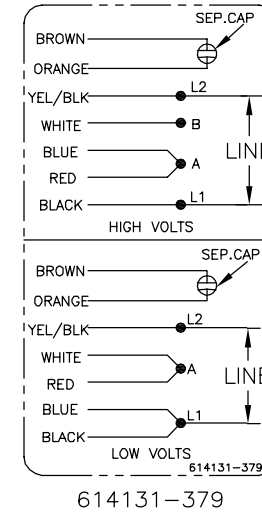
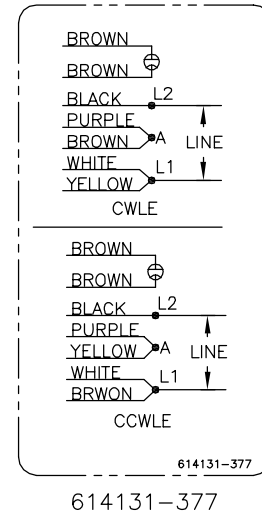
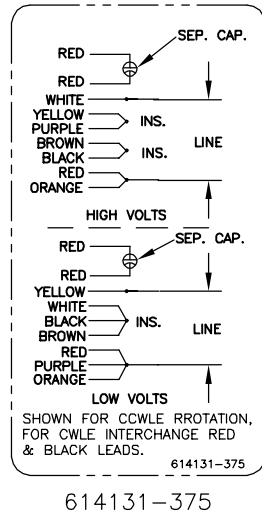
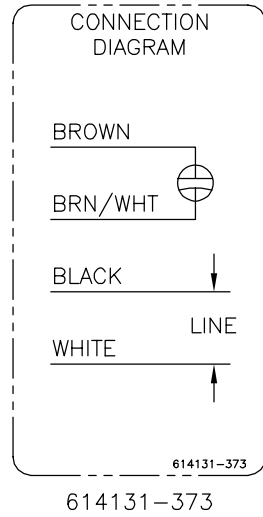
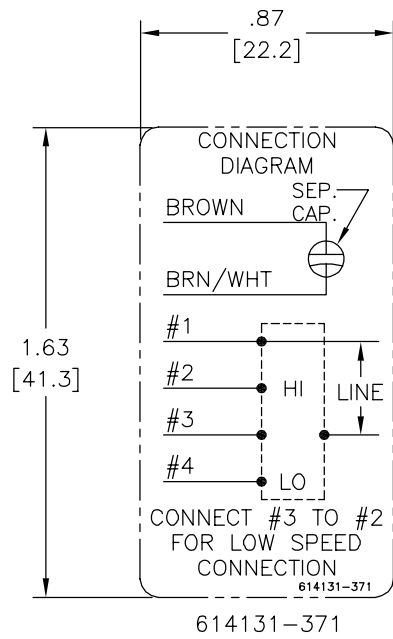
4

3

2

1

REV	REFERENCE ECN	REFERENCE PROJECT	REV BY	DATE	APPD	DATE
D.04	00017504	0703436	Hong	04/09/2008		



- NOTES:
- FOR USE WITH 614129 NAMEPLATE BLANK
 - INDICATES DIMENSION LIMITS
 - DIE TO BE MADE FROM MASTER SUPPLIED BY A. O. SMITH CORPORATION
 - DIE MUST PRODUCE A LEGIBLE IMPRESSION.

GEOMETRIC CHARACTERISTICS & SYMBOLS

- FLATNESS
- STRAIGHTNESS
- ∠ ANGULARITY
- ⊥ PERPENDICULARITY (SQUARENESS)
- // PARALLELISM
- ROUNDNESS (CIRCULARITY)
- ⊘ CYLINDRICITY
- △ PROFILE OF ANY SURFACE
- ∇ PROFILE OF ANY LINE
- ↗ RUNOUT
- ⊕ TRUE POSITION
- ◎ CONCENTRICITY
- ≡ SYMMETRY

UNLESS OTHERWISE SPECIFIED DIM. TOLERANCES ARE AS FOLLOWS:

INCH	X	XX	XXX	XXXX
	±.1	±.02	±.005	±.0005
mm	±0.5	±0.13	±0.013	
ANG. ±.50 DEG				
REMOVE BURRS & BREAK SHARP EDGES:				
INCH	.003-.015	mm	0.1-0.4	
CORNER FILLETS TO:				
INCH	.020	mm	0.5	
MACHINE SURFACES:				
INCH	125	mm	3.2	
METRIC DIMS. SHOWN IN [BRACKETS]				

DR BY: jrupert 08-15-2007

APPD: cbran 08/15/2007

THIRD ANGLE PROJECTION

EDS DATE 01-21-2007
 FORMAT REV E

CONFIDENTIAL: THIS DRAWING AND ITS INFORMATION ARE THE EXCLUSIVE AND CONFIDENTIAL PROPERTY OF A.O. SMITH CORP. AND ARE NOT TO BE DISCLOSED, DUPLICATED, DISTRIBUTED OR OTHERWISE USED WITHOUT THE WRITTEN CONSENT OF A.O. SMITH CORP.
 -ALL RIGHTS RESERVED. ASME Y14.5M 1994

A.O. SMITH A DIVISION OF A. O. SMITH CORPORATION
 ELECTRICAL PRODUCTS COMPANY TIPP CITY, OHIO COPYRIGHT 1995

DESCRIPTION
CONN DIAGRAM - EXTERNAL

SIZE C DWG NO 614131 -371 THRU -380

SCALE NONE SHEET 38

4

3

2

1

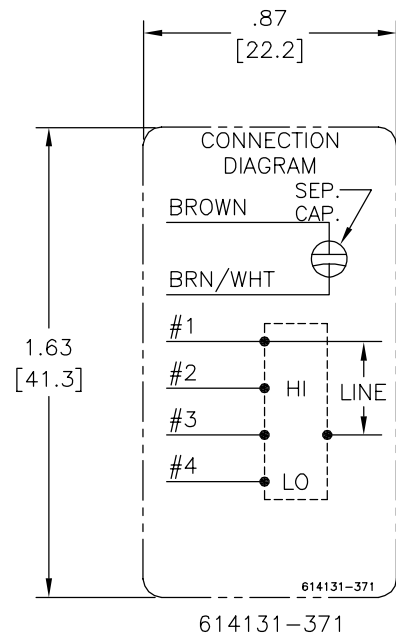
4

3

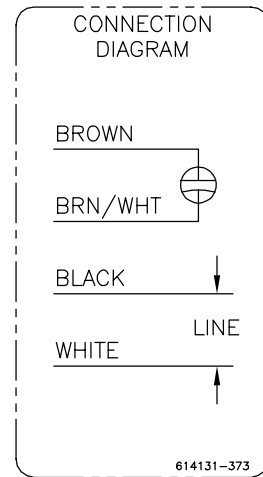
2

1

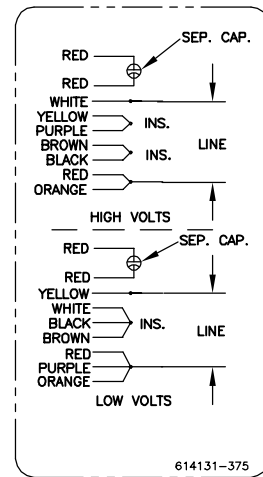
REVISION: D.04	ECN REFERENCIA: 00017504	PROYECTO REFERENCIA: 0703436	REVISADO POR: Hong	FECHA: 04/09/2008	APROBADO POR:	FECHA:
----------------	--------------------------	------------------------------	--------------------	-------------------	---------------	--------



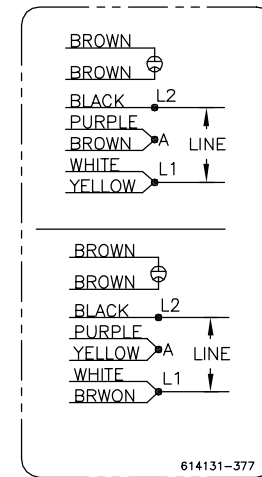
614131-371



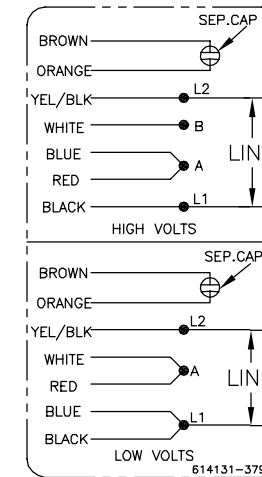
614131-373



614131-375

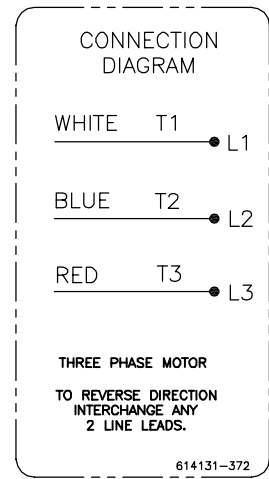


614131-377

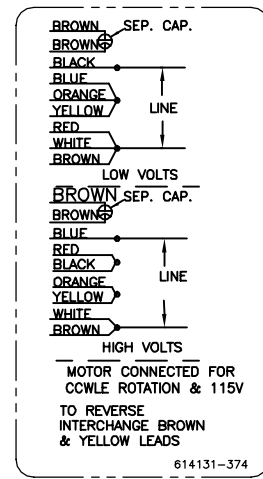


614131-379

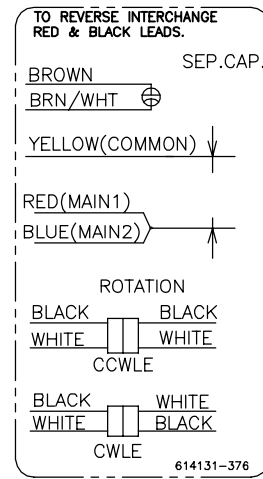
LOW VOLTS (CWLE)



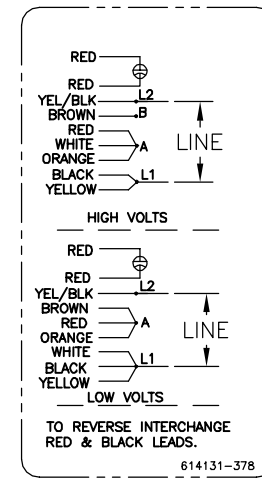
614131-372



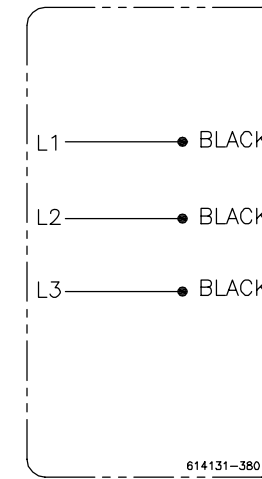
614131-374



614131-376



614131-378



614131-380

NOTES:

- FOR USE WITH 614129 NAMEPLATE BLANK
- INDICATES DIMENSION LIMITS
- DIE TO BE MADE FROM MASTER SUPPLIED BY A. O. SMITH CORPORATION
- DIE MUST PRODUCE A LEGIBLE IMPRESSION.

CARACTERISTICAS DE GEOMETRIA Y SIMBOLOS

- PLANICIDAD
- RECTITUD
- ∠ ANGULARIDAD
- ⊥ PERPENDICULARIDAD (A ESCUADRA)
- // PARALELISMO
- REDONDEZ (CIRCULARIDAD)
- ∅ CILINDRICIDAD
- △ PERFIL DE CUALQUIER SUPERFICIE
- ∧ PERFIL DE CUALQUIER LINEA
- ∩ VARIACION
- ⊕ POSICION REAL
- ⊙ CONCENTRICIDAD
- = SIMETRIA

A MENOS QUE SE ESPECIFIQUE DE OTRA MANERA, LAS TOLERANCIAS DE LAS DIMS; SON LAS SIGUIENTES:

mm ±0.1 ±0.02 ±0.005 ±0.0005
 PULG ±.1 ±.02 ±.005 ±.0005

mm ±0.5 ±0.13 ±0.013
 PULG ±.5 ±.13 ±.013

ANG. ±.50 GRADOS

ELIMINAR REBABAS Y ORILLAS FILOSAS DEL BORDE.

PULG .003-.015 mm 0.1-0.4
 FILETEAR ESQUINA: PULG .020 mm 0.5
 MAQUINAR SUPERFICIES

PULG 125 mm 3.2

DIMS METRICAS MOSTRADAS [PARENTESIS]

DIBUJADO POR: jrupert

APROBADO POR: cbranh

TERCER ANGULO DE PROYECCION

CONFIDENCIAL: ESTE DIBUJO Y SU INFORMACION SON PROPIEDAD DE USO EXCLUSIVO Y CONFIDENCIAL DE A.O.SMITH CORP. Y NO DEBERAN SER REVELADOS, DUPLICADOS, DISTRIBUIDOS O USARSE DE OTRA MANERA SIN EL CONSENTIMIENTO ESCRITO DE A.O. SMITH CORP. -TODOS LOS DERECHOS RESERVADOS.ASME Y14.5M 1994

DIBUJADO POR: jrupert

APROBADO POR: cbranh

TERCER ANGULO DE PROYECCION

CONFIDENCIAL: ESTE DIBUJO Y SU INFORMACION SON PROPIEDAD DE USO EXCLUSIVO Y CONFIDENCIAL DE A.O.SMITH CORP. Y NO DEBERAN SER REVELADOS, DUPLICADOS, DISTRIBUIDOS O USARSE DE OTRA MANERA SIN EL CONSENTIMIENTO ESCRITO DE A.O. SMITH CORP. -TODOS LOS DERECHOS RESERVADOS.ASME Y14.5M 1994

DIVISION OF A. O. SMITH CORPORATION

DESCRIPCION: CONN DIAGRAM - EXTERNAL

TAMAÑO: C

NUMERO DE DIBUJO: 614131 -371 THRU -380

ESCALA: NONE

HOJA: 38

4

3

2

1

