

# PRODUCT INFORMATION PACKET



Model No: DLR1026S

Catalog No: DLR1026S

Fan and Blower Motor, 1/4 HP, 1 Ph, 60 Hz, 115 V, 1075 RPM, 1 Speed, 48 Frame, OPEN



Regal and Century are trademarks of Regal Rexnord Corporation or one of its affiliated companies.

©2025 Regal Rexnord Corporation, All Rights Reserved. MC017097E





**Nameplate Specifications**

Phase	1	Output HP	1/4 Hp
Output KW	0.19 kW	Voltage	115 V
Speed	1075 rpm	Service Factor	1.0
Frame	48Y	Enclosure	Open Enclosed
Thermal Protection	Automatic	Ambient Temperature	40 °C
Frequency	60 Hz	Current	3.6 A
Duty	Air Over	Insulation Class	B
UL	Recognized	CSA	Y
CE	N	Number of Speeds	1

**Technical Specifications**

Electrical Type	Permanent Split Capacitor	Starting Method	Across The Line
Poles	6	Rotation	Counterclockwise Lead End
Mounting	Resilient Rings	Motor Orientation	Horizontal
Drive End Bearing	Sleeve	Opp Drive End Bearing	Sleeve
Frame Material	Rolled Steel	Shaft Type	Flat
Overall Length	7.61 in	Frame Length	3.50 in
Shaft Diameter	0.500 in	Shaft Extension	3 in
Connection Drawing	614131-247	Outline Drawing	DLR1026S-S01

This is an uncontrolled document once printed or downloaded and is subject to change without notice. Date Created:02/10/2025

GENERAL INFORMATION:

SHAFT RUNOUT: .001 [.03] T.I.R. PER INCH LENGTH OF EXTENSION

BEARINGS: BALL

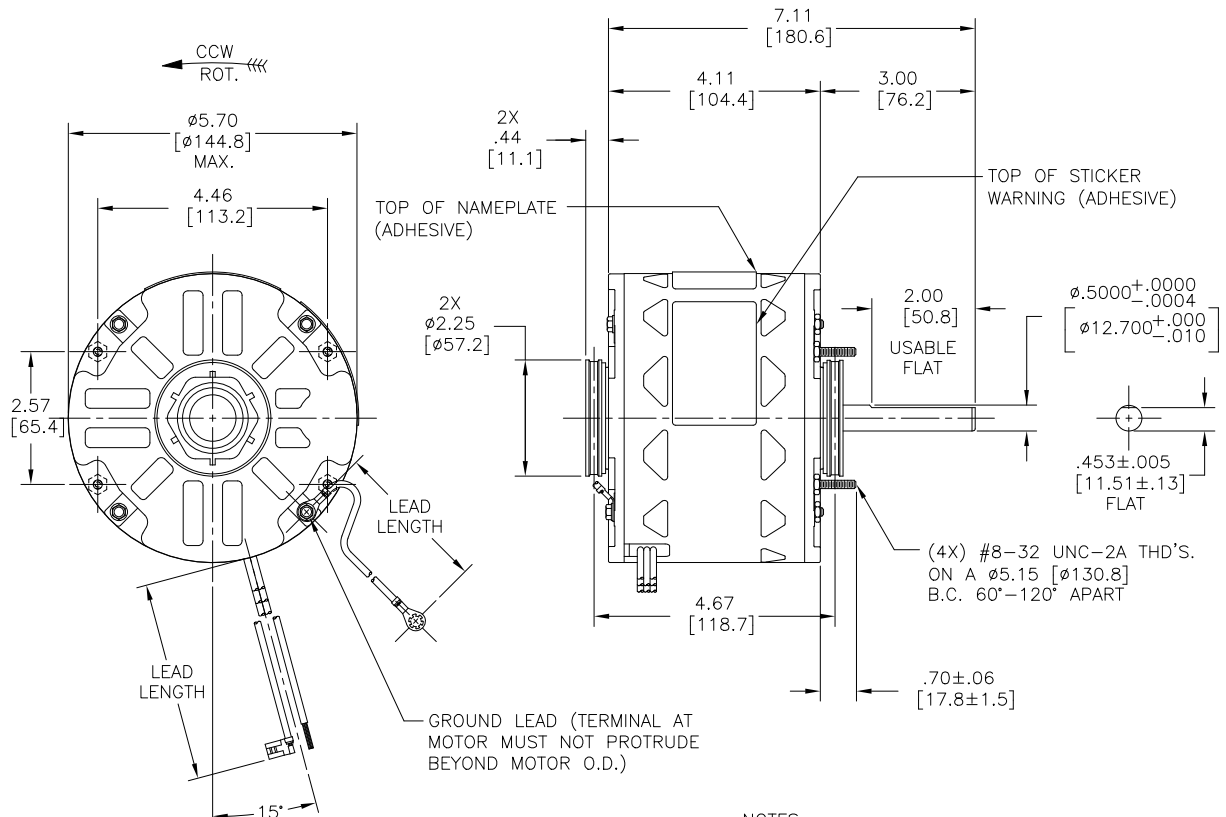
MOUNTING POSITION: HORIZONTAL

ELECTRICAL DATA:

OVERLOAD PROTECTOR: AUTOMATIC RESET (SENSATA 7AM 036)

LEADS: NO. 18 GA., .06 [1.5] THK. PVC 105°C INSULATION.

GROUND LEAD: NO. 18 GA., .03 [.8] THK. (GREEN) INSULATION.



- NOTES:
- (1) CAPACITOR 628316-307  
 (1) CAPACITOR CAP 260B913H01  
 (1) CLAMP 616672  
 (4) SPLIT RING ADAPTORS 53P26-1  
 (1) SCREW 614321-008  
 (1) CAPACITOR HOUSING 616857  
 TO BE PUT IN POLY BAG A PACKED SEPARATE WITH EACH MOTOR.
  - DISTRIBUTION SERVICE CUST. P/N: DLR1026S  
 GRAINGER CUST. P/N: 4UU86.

NAMEPLATE DATA:	EXTERNAL CONNECTION DIAGRAM
MODEL NO.: F48V53A01 CUST. P/N: SEE NOTE 2 HP: 1/4 ROT.: CCWLE RPM: 1075 TYPE: UF FRAME: 48Y VOLTS: 115 PH: 1 AMPS: 3.6 HZ: 60 INS.: B AMB.: 40° C DUTY: AIR OVER CAP.: 5 MFD/370 V ENCL: OPEN UL LOGO CSA LOGO THERMALLY PROTECTED	

614131-247

COLOR	LENGTH	TERMINAL OR STRIP LENGTH
GREEN (GROUND)	12.0/13.0 [305/330]	#10 EYELET
BROWN	26.0/28.0 [660/711]	.25 [6.4] FLAG
BROWN/WHITE	26.0/28.0 [660/711]	.25 [6.4] FLAG
PURPLE	26.0/28.0 [660/711]	.75 [19.1] SKIN
BLACK	26.0/28.0 [660/711]	.75 [19.1] SKIN

PERFORMANCE CURVE NO.	TORQUE @ 1075 RPM (25°C)	APPROVED SAMPLE	UL COMPONENT	CSA	
			FILE #	CCN #	FILE # CLASS #
C32388	20.9 OZ. FT.	0444591C	E27885	XEWR2	LR43341 4211-01

MAIN FRAME - OLE	OPEN
END FRAME - OLE	OPEN
MAIN FRAME - LE	OPEN
END FRAME - LE	OPEN

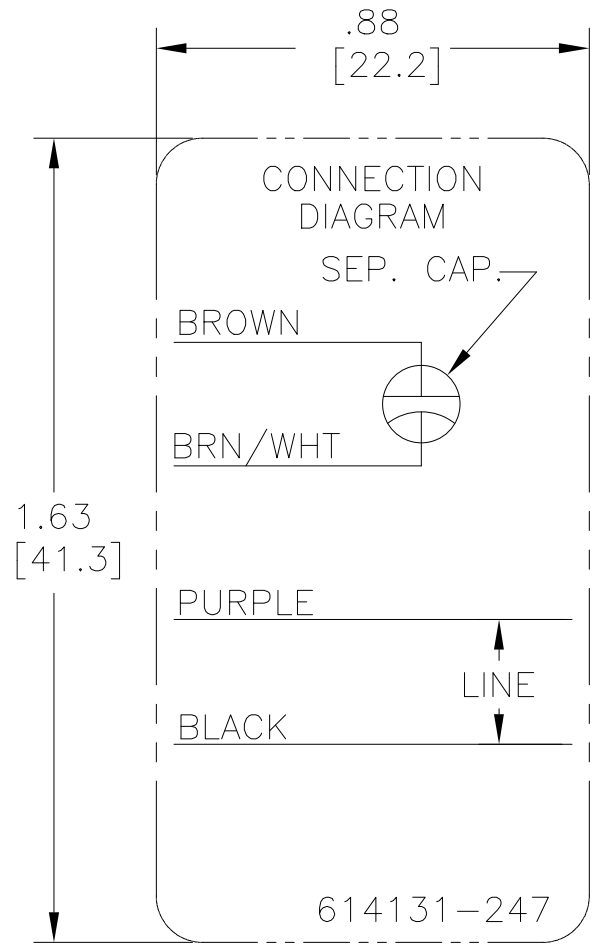
CUSTOMER	DISTRIBUTION SERVICE

DRAWING REVISION	REVISION BY	DATE
D	J. RUPERT	07-18-2023
ECO	APPROVED BY	DATE
NMR-0223961	J. RUPERT	07-18-2023

ECO DESCRIPTION  
CHANGED TO BALL BEARING

COPYRIGHT REGAL BELLOIT AMERICA, INC. ALL RIGHTS RESERVED. PROPRIETARY AND CONFIDENTIAL INFORMATION - THIS DOCUMENT IS THE PROPERTY OF REGAL BELLOIT AMERICA, INC. (OWNER) AND COMPANY OWNER'S PROPRIETARY INFORMATION. ANY PERSON, CORPORATION OR OTHER ENTITY, DUPLICATED, AND/OR USED, EXCEPT BY RECEIVING IT, TO AGREE THAT IT, AND/OR ANY PART OF IT, SHALL NOT BE DISCLOSED TO ANY PERSON, CORPORATION OR OTHER ENTITY, DUPLICATED, AND/OR USED, EXCEPT AS EXPRESSLY APPROVED IN WRITING IN ADVANCE BY OWNER. THIS DOCUMENT SHALL BE RETURNED TO OWNER UPON REQUEST. IT MAY BE SUBJECT TO CERTAIN RESTRICTIONS UNDER APPLICABLE EXPORT CONTROL LAWS AND REGULATIONS.

DRAWING ENCLOSURE		DRAWN BY:	
THIRD ANGLE PROJECTION		J. RUPERT	
DATE:	06-10-2011	DATE:	06-10-2011
APPROVED BY:	J. RUPERT	DATE:	06-10-2011
REFERENCE:		DESCRIPTION:	MODEL-RFHP-48FR OUTLINE
SIZE:	DWG NO: DLR1026S	MATERIAL:	PROCESS/FINISH:
C			



NOTES:

- FOR USE WITH 614129 NAMEPLATE BLANK
- - - - - INDICATES DIMENSIONAL LIMITS.
- DIE TO BE MADE FROM MASTER SUPPLIED BY REGAL REXNORD CORP.
- DIE MUST PRODUCE A LEGIBLE IMPRESSION.

DRAWING REVISION C		REVISION BY J. RUPERT	DATE 07-21-2023	TOLERANCES UNLESS OTHERWISE SPECIFIED		DRAWN BY: TH		<b>Regal Beloit America, Inc.</b>				
ECO NMR-0223961		APPROVED BY J. RUPERT	DATE 07-21-2023	DEC.	INCH	mm	ANGLE			DATE: 03-30-2011		
ECO DESCRIPTION REVISED FOR UP ISSUE				.X	±0.1	[±2.5]	±0.5°	APPROVED BY: BS	DESCRIPTION  CONN DIAGRAM NAMEPALTE			
<small>COPYRIGHT REGAL BELOIT AMERICA, INC. ALL RIGHTS RESERVED. PROPRIETARY AND CONFIDENTIAL INFORMATION - THIS DOCUMENT IS THE PROPERTY OF REGAL BELOIT AMERICA, INC. ("OWNER") AND CONTAINS OWNER'S PROPRIETARY INFORMATION. ANY PERSON, CORPORATION OR OTHER FIRM RECEIVING IT IS DEEMED, BY RECEIVING IT, TO AGREE THAT IT, AND/OR ANY PART OF IT, SHALL NOT BE DISCLOSED TO ANY PERSON, CORPORATION OR OTHER ENTITY, DUPLICATED, AND/OR USED, EXCEPT AS EXPRESSLY APPROVED IN WRITING IN ADVANCE BY OWNER. THIS DOCUMENT SHALL BE RETURNED TO OWNER UPON REQUEST. IT MAY BE SUBJECT TO CERTAIN RESTRICTIONS UNDER APPLICABLE EXPORT CONTROL LAWS AND REGULATIONS.</small>				.XX	±0.02	[±0.51]		DATE: 03-30-2011				
								.XXX	±0.005	[±0.127]	REFERENCE	MATERIAL
				.XXXX	±0.0005	[±0.0127]		THIRD ANGLE PROJECTION	SIZE	DWG NO	SHEET	
				REMOVE BURRS & BREAK SHARP EDGES .003/.015 [.076/.381] X 45° CORNER FILLETS R.02 [.51] MACHINED SURFACES			125	3.2	A	4 of 4	614131-247	1
				mm SHOWN IN [BRACKETS]								