

# PRODUCT INFORMATION PACKET



Model No: DSB1016HR  
Catalog No: DSB1016HR

Fan Coil & Air Conditioner Motor, 1/6 HP, 1 Ph, 60 Hz, 230 V, 1625 RPM, 2 Speed, 48 Frame,  
SEMI ENCLOSED



Regal and Century are trademarks of Regal Rexnord Corporation or one of its affiliated companies.  
©2022 Regal Rexnord Corporation, All Rights Reserved. MC017097E





**Nameplate Specifications**

Output HP	1/6 Hp	Output KW	0.13 kW
Frequency	60 Hz	Voltage	230 V
Current	1.3 A	Speed	1625 rpm
Service Factor	1	Phase	1
Duty	Continuous Air Over	Insulation Class	B
Frame	48Y	Enclosure	Semi Enclosed
Thermal Protection	Automatic	Ambient Temperature	40 °C
UL	Recognized	CSA	Y
CE	N	Number of Speeds	2

**Technical Specifications**

Electrical Type	Permanent Split Capacitor	Starting Method	Across The Line
Poles	4	Rotation	Reversible
Mounting	Resilient Base	Motor Orientation	Horizontal
Drive End Bearing	Sleeve	Opp Drive End Bearing	Sleeve
Frame Material	Rolled Steel	Shaft Type	Flat
Overall Length	19.11 in	Frame Length	3.63 in
Shaft Diameter	0.500 in	Shaft Extension	7.5X.5X7.5 in
Outline Drawing	F48V79A01-S01	Connection Drawing	614131-109

This is an uncontrolled document once printed or downloaded and is subject to change without notice. Date Created:11/29/2022

GENERAL INFORMATION:

SHAFT RUNOUT: .001[.03] T.I.R. PER INCH LENGTH OF EXTENSION

END PLAY: .010[.25] TO .063[1.60]

BEARINGS: SLEEVE

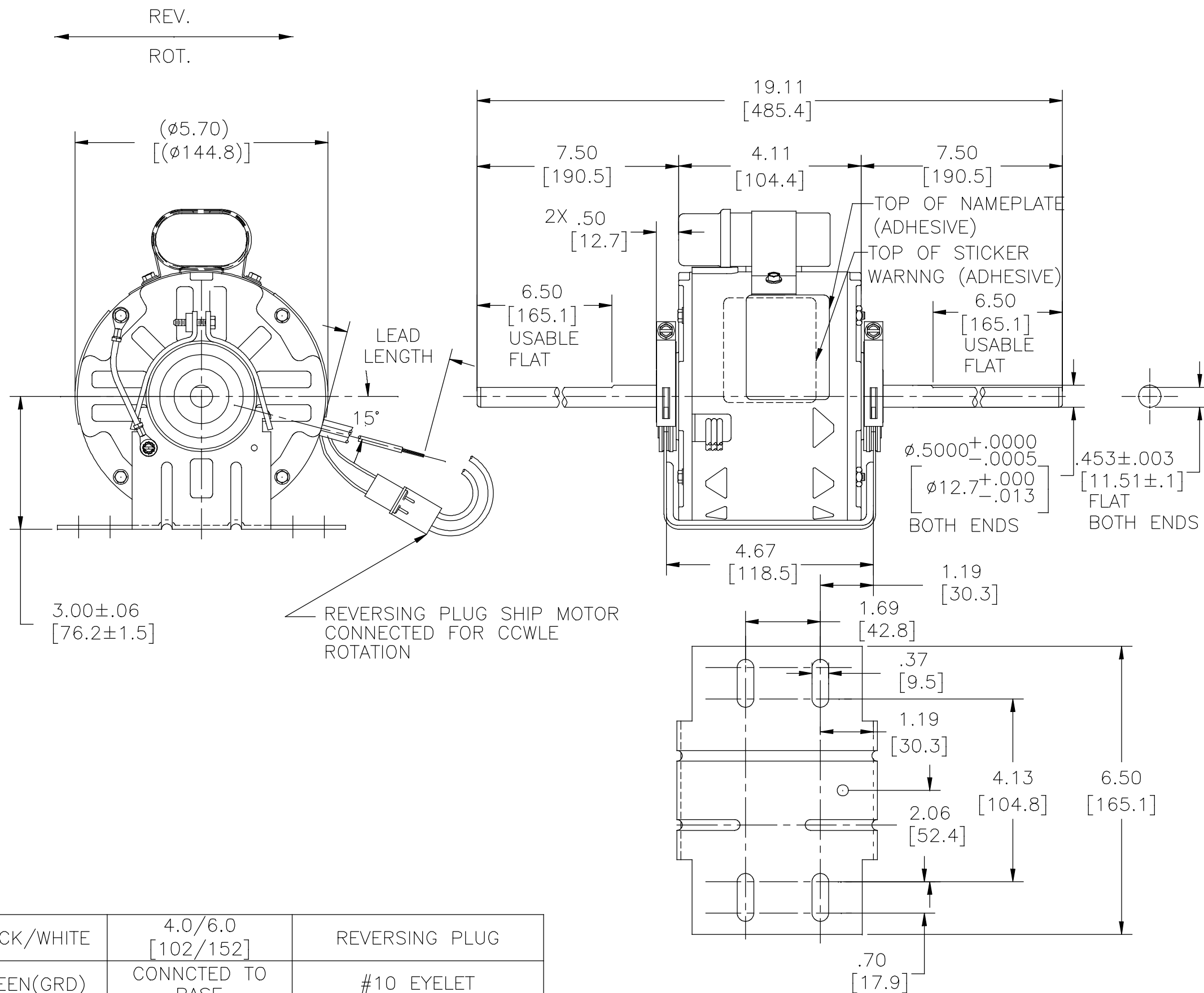
MOUNTING POSITION: HORIZONTAL

ELECTRICAL DATA:

OVERLOAD PROTECTOR: AUTOMATIC RESET (T.I. 7AM 036)

LEADS: NO. 18 GA., .03[.8] THK., 125°C INSUL

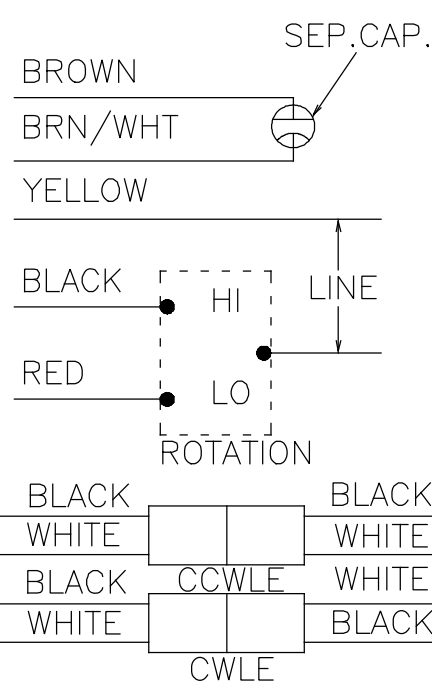
GROUND LEAD: NO. 18 GA., .03[.8] THK., GREEN INSUL



NAMEPLATE DATA:

EXTERNAL CONNECTION DIAGRAM

MODEL NO.: F48V79A01  
 CUST. P/N: DSB1016HR  
 HP: 1/6  
 ROT.: REV  
 RPM: 1625/2 SPD  
 TYPE: UF  
 FRAME: 48Y  
 VOLTS: 230  
 PH: 1  
 AMPS: 1.3  
 HZ: 60  
 INS.: B  
 AMB.: 40° C  
 DUTY: CONT A0  
 CAP.: 5MFD/370V  
 ENCL: SEMI-ENCL  
 UL LOGO  
 CSA LOGO  
 THERMALLY PROTECTED



614131-109

BLACK/WHITE	4.0/6.0 [102/152]	REVERSING PLUG
GREEN(GRD)	CONNECTED TO BASE	#10 EYELET
BROWN	CONNECTED TO BASE	.25[6.4] FLAG
BROWN/WHITE	CONNECTED TO BASE	.25[6.4] FLAG
YELLOW	24.0/26.0 [610/660]	.50[12.7] SKIN
BLACK	24.0/26.0 [610/660]	.50[12.7] SKIN
RED	24.0/26.0 [610/660]	.50[12.7] SKIN
COLOR	LENGTH	TERMINAL OR STRIP LENGTH

MAIN FRAME - OLE	SEMI-ENCLOSED
END FRAME - OLE	OPEN
MAIN FRAME - LE	SEMI-ENCLOSED
END FRAME - LE	OPEN

CUSTOMER	DISTRIBUTION SERVICES
----------	-----------------------

PERFORMANCE CURVE NO.	TORQUE @ 1625 RPM (25°C)	APPROVED SAMPLE	UL COMPONENT FILE #	CCN #	CSA FILE #	CLASS #
C32406	11.1 OZ. FT.	0442681C	E46412	PRGY2	LR43341	4211-01

LEAD DATA

DRAWING REVISION D	REVISION BY HANNA.ZOU	DATE 12-26-2018
ECO-0159049	APPROVED BY Tricia Niederholtmeyer	DATE 12-26-2018
ECO DESCRIPTION SEE ECO		

COPYRIGHT REGAL BELOIT AMERICA, INC. ALL RIGHTS RESERVED. PROPRIETARY AND CONFIDENTIAL INFORMATION - THIS DOCUMENT IS THE PROPERTY OF REGAL BELOIT AMERICA, INC. (OWNER) AND CONTAINS OWNER'S PROPRIETARY INFORMATION. ANY PERSON, CORPORATION OR OTHER FIRM RECEIVING IT IS DEEMED, BY RECEIVING IT, TO AGREE THAT IT, AND/OR ANY PART OF IT, SHALL NOT BE DISCLOSED TO ANY PERSON, CORPORATION OR OTHER ENTITY, DUPLICATED, AND/OR USED, EXCEPT AS EXPRESSLY APPROVED IN WRITING IN ADVANCE BY OWNER. THIS DOCUMENT SHALL BE RETURNED TO OWNER UPON REQUEST. IT MAY BE SUBJECT TO CERTAIN RESTRICTIONS UNDER APPLICABLE EXPORT CONTROL LAWS AND REGULATIONS.

ENCLOSURE

DRAWN BY: DZ
DATE: 02-21-2011
APPROVED BY: DZ
DATE: 02-21-2011
PROCESS/FINISH

<b>REGAL</b> ™ Regal Beloit America, Inc.
DESCRIPTION MODEL-RFHP-48FR OUTLINE
MATERIAL

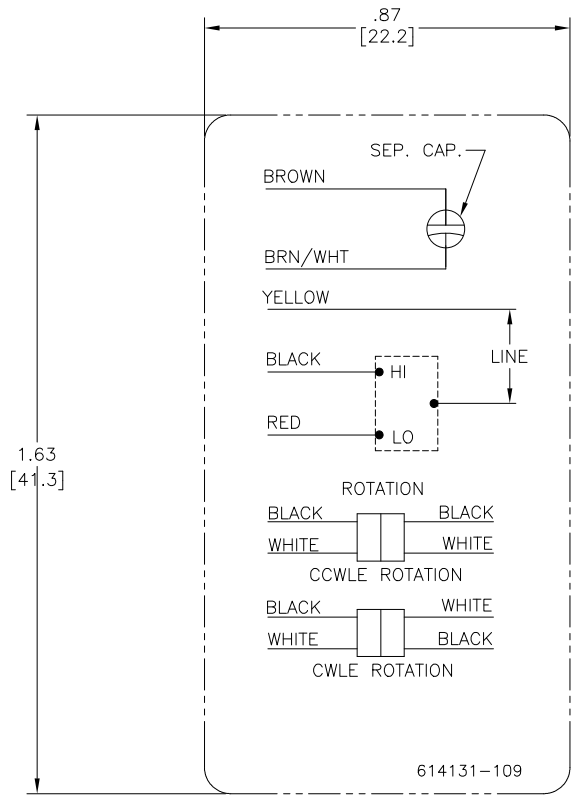
THIRD ANGLE PROJECTION	SIZE DWG NO C F48V79A01	SHEET 1
------------------------	----------------------------	------------

4

3

2

1



NOTES:

1. FOR USE WITH 614129 NAMEPLATE BLANK
2. - - - - - INDICATES DIMENSION LIMITS
3. DIE TO BE MADE FROM MASTER SUPPLIED BY A. O. SMITH CORPORATION
4. DIE MUST PRODUCE A LEGIBLE IMPRESSION.

DRAWING REVISION C		REVISION BY J. RUPERT	DATE 08-24-2021	TOLERANCES UNLESS OTHERWISE SPECIFIED		DRAWN BY: CZ							
ECO NMR-0210151		APPROVED BY J. RUPERT	DATE 08-24-2021	DEC.	INCH	mm	ANGLE			DATE: 11-20-2009			
ECO DESCRIPTION REVISED FOR UP ISSUE				.X	±0.1	[±2.5]	±0.5°	APPROVED BY: TR	DESCRIPTION CONN DIAGRAM-NAMEPLATE				
<small>                 COPYRIGHT REGAL BELOIT AMERICA, INC. ALL RIGHTS RESERVED.                  PROPRIETARY AND CONFIDENTIAL INFORMATION - THIS DOCUMENT IS THE PROPERTY OF REGAL BELOIT AMERICA, INC. (OWNER) AND CONTAINS OWNER'S PROPRIETARY INFORMATION. ANY PERSON, CORPORATION OR OTHER ENTITY, DUPLICATING AND/OR USING, EXCEPT BY RECEIVING IT, TO AGREE THAT IT, AND/OR ANY PART OF IT, SHALL NOT BE DISCLOSED TO ANY PERSON, CORPORATION OR OTHER ENTITY, DUPLICATED, AND/OR USED, EXCEPT AS EXPRESSLY APPROVED IN WRITING IN ADVANCE BY OWNER. THIS DOCUMENT SHALL BE RETURNED TO OWNER UPON REQUEST. IT MAY BE SUBJECT TO CERTAIN RESTRICTIONS UNDER APPLICABLE EXPORT CONTROL LAWS AND REGULATIONS.             </small>				.XX	±0.02	[±0.51]		DATE: 11-20-2009*	REFERENCE	MATERIAL	PROCESS/FINISH		
				.XXX	±0.005	[±0.127]				THIRD ANGLE PROJECTION	SIZE	DWG NO	SHEET
				.XXXX	±0.0005	[±0.0127]					C	614131-109	1
				REMOVE BURRS & BREAK SHARP EDGES .003/.015 [0.076/.381] X 45°		CORNER FILLETS R.02 [5.1]		MACHINED SURFACES		125 / mm			

4

3

2

1