

# PRODUCT INFORMATION PACKET



Model No: DSB1034H  
Catalog No: DSB1034H  
Fan Coil & Air Conditioner Motor, 1/3 HP, 1 Ph, 60 Hz, 230 V, 1625 RPM, 3 Speed, 48 Frame,  
SEMI ENCLOSED



Regal and Century are trademarks of Regal Rexnord Corporation or one of its affiliated companies.  
©2022 Regal Rexnord Corporation, All Rights Reserved. MC017097E





### Nameplate Specifications

Output HP	1/3 Hp	Output KW	0.25 kW
Frequency	60 Hz	Voltage	230 V
Current	2.0 A	Speed	1625 rpm
Service Factor	1	Phase	1
Duty	Air Over	Insulation Class	B
Frame	48Y	Enclosure	Semi Enclosed
Thermal Protection	Automatic	Ambient Temperature	40 °C
UL	Recognized	CSA	Y
CE	N	Number of Speeds	3

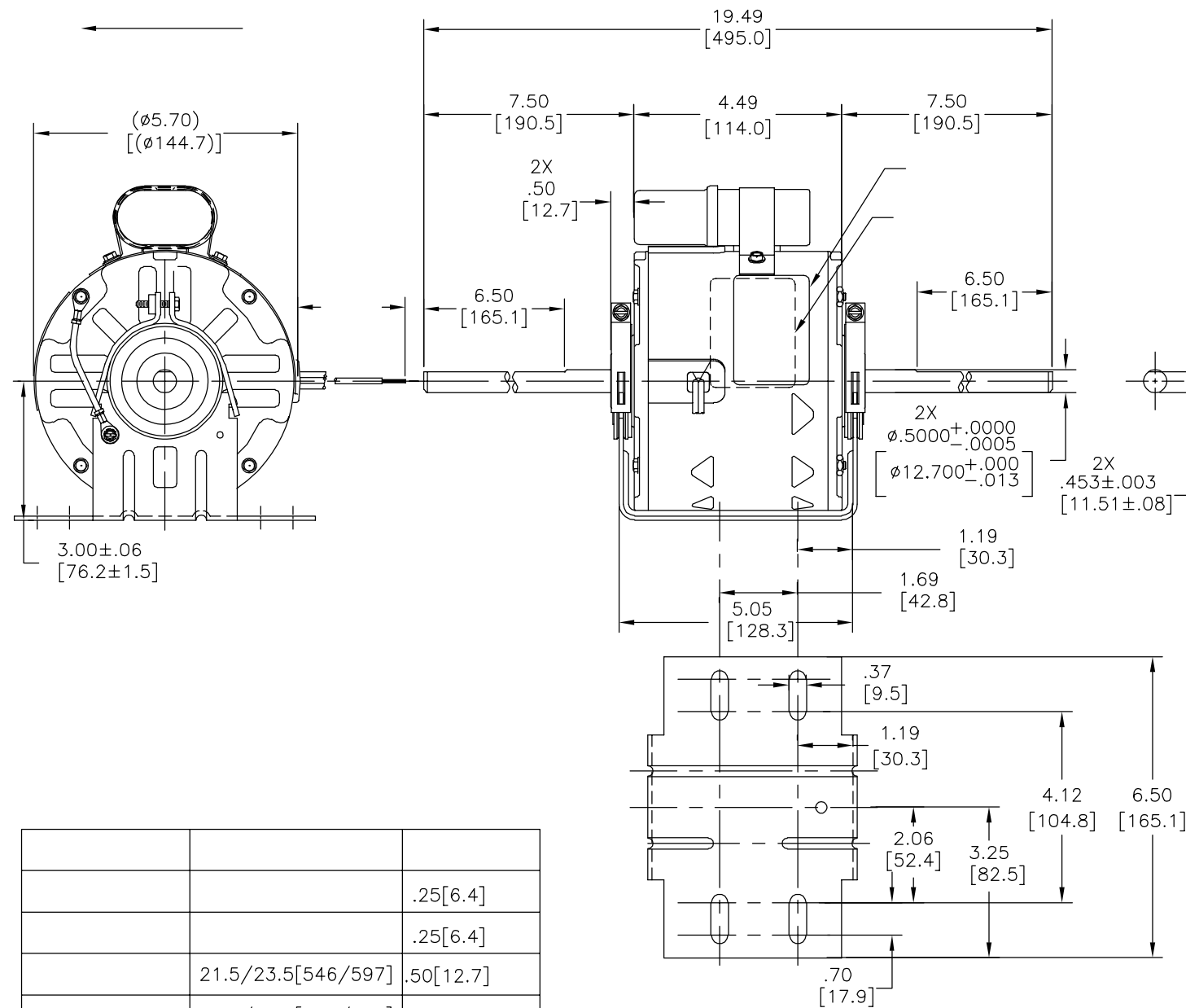
### Technical Specifications

Electrical Type	Permanent Split Capacitor	Starting Method	Across The Line
Poles	4	Rotation	Counterclockwise Lead End
Mounting	Resilient Base	Motor Orientation	Horizontal
Drive End Bearing	Sleeve	Opp Drive End Bearing	Sleeve
Frame Material	Rolled Steel	Shaft Type	Flat
Overall Length	19.49 in	Frame Length	3.88 in
Shaft Diameter	0.500 in	Shaft Extension	7.5X.5X7.5 in
Connection Drawing	614131-106	Outline Drawing	F48V78A01-S01

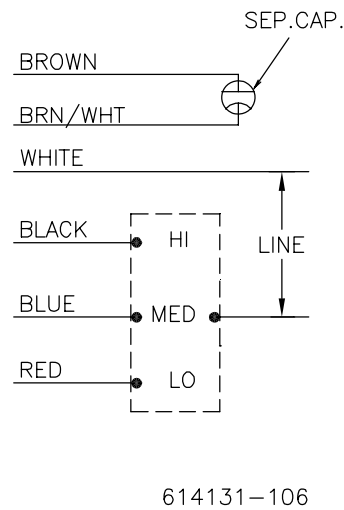
This is an uncontrolled document once printed or downloaded and is subject to change without notice. Date Created:11/28/2022



REVISION:	ECO	REVISADO POR:	FECHA:	APROBADO POR:	FECHA:
B	0025543	A. ARREOLA	04-26-2012	D.BALDERRAMA	04-26-2011



MODEL NO.: F48V78A01  
 CUST. P/N:   
 HP: 1/3  
 ROT: CCWLE  
 RPM: 1625/3 SPD  
 TYPE: UF  
 FRAME: 48Y  
 VOLTS: 230  
 PH: 1  
 AMPS: 2.0  
 HZ: 60  
 INS: B  
 AMB: 40 °C  
 DUTY: AIR OVER  
 CAP.: 7.5 MFD/370V  
 ENCL: SEMI-ENCL  
 UL & CSA LOGO  
 THERMALLY PROTECTED



		.25[6.4]
		.25[6.4]
	21.5/23.5[546/597]	.50[12.7]
	21.5/23.5[546/597]	.50[12.7]
	21.5/23.5[546/597]	.50[12.7]
	21.5/23.5[546/597]	.50[12.7]

					CSA
C32405	21.1 OZ. FT.	0443456B	E46412	PRGY2 LR43341	4211-01

CARACTERISTICAS DE GEOMETRIA Y SIMBOLOS  
 ▧ PLANICIDAD  
 — RECTITUD  
 < ANGULARIDAD  
 ⊥ PERPENDICULARIDAD (A ESCUADRA)  
 // PARALELISMO  
 ○ REDONDEZ (CIRCULARIDAD)  
 ∅ CILINDRICIDAD  
 △ PERFIL DE CUALQUIER SUPERFICIE  
 ∩ PERFIL DE CUALQUIER LINEA  
 ↗ VARIACION  
 ⊕ POSICION REAL  
 ⊙ CONCENTRICIDAD  
 = SIMETRIA  
 ASME Y14.5M 1994

REGAL-BELOIT CORPORATION (RBC)  
 PROVEE ASISTENCIA TECNICA A  
 NUESTROS CLIENTES EN VARIAS AREAS.  
 DESDE QUE RBC NO RECIBE TODOS  
 LOS DATOS EN RELACION AL USO Y A  
 LA APLICACION DEL MOTOR, LA  
 APLICACION ADECUADA DEL MOTOR  
 DEBE SER DETERMINADA POR EL  
 CLIENTE.

DIMENSIONES SIN TOLERANCIA SON  
 DE REFERENCIA SOLAMENTE

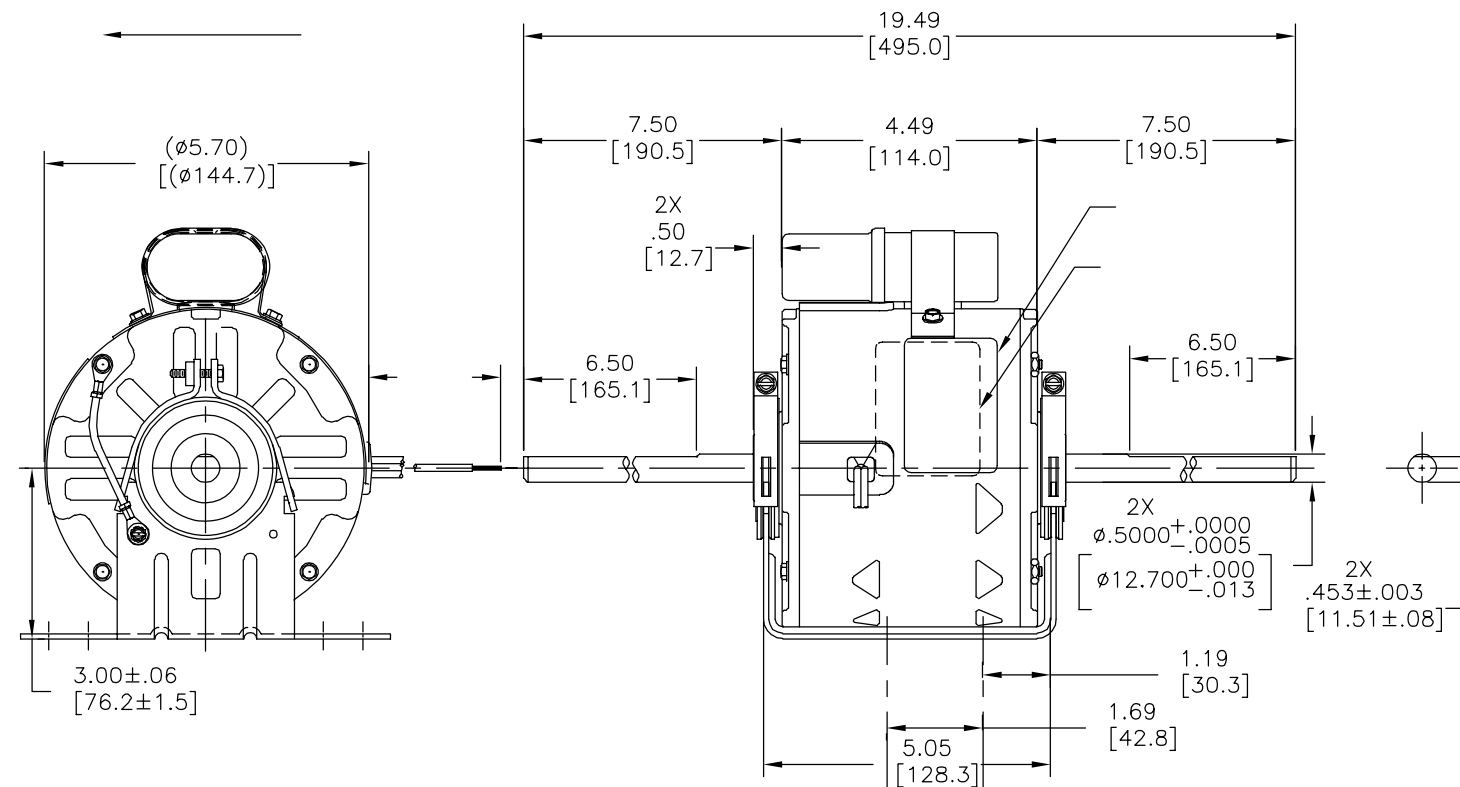
DIBUJADO POR: DZ 02-21-2011  
 APROBADO POR: DZ 02-21-2011  
 TERCER ANGULO DE PROYECCION  
 FECHA EDS: 11-11-2011  
 REV. FORMATO: G  
 CONFIDENCIAL: ESTE DIBUJO Y SU INFORMACION SON PROPIEDAD DE USO EXCLUSIVO Y CONFIDENCIAL DE REGAL-BELOIT CORPORATION. Y NO DEBERAN SER REVELADOS, DUPLICADOS, DISTRIBUIDOS O USARSE DE OTRA MANERA SIN EL CONSENTIMIENTO ESCRITO DE REGAL-BELOIT CORPORATION. -TODOS LOS DERECHOS RESERVADOS.



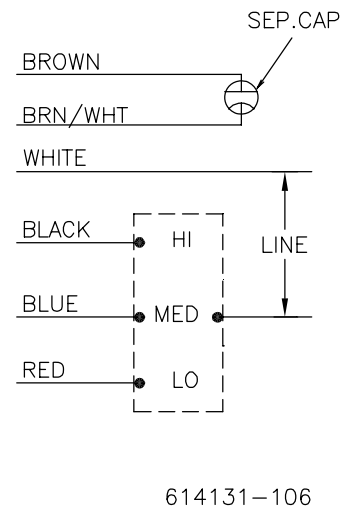
DESCRIPCION: MODEL-RFHP-48FR OUTLINE  
 TAMAÑO: C NUMERO DE DIBUJO: F48V78A01  
 ESCALA: NONE HOJA: 1

DISTRIBUTION SERVICES

版本	ECO	编制	日期	批准	日期
B	0025543	A. ARREOLA	04-26-2012	D.BALDERRAMA	04-26-2011



MODEL NO.: F48V78A01  
 CUST. P/N:   
 HP: 1/3  
 ROT: CCWLE  
 RPM: 1625/3 SPD  
 TYPE: UF  
 FRAME: 48Y  
 VOLTS: 230  
 PH: 1  
 AMPS: 2.0  
 HZ: 60  
 INS: B  
 AMB: 40 °C  
 DUTY: AIR OVER  
 CAP.: 7.5 MFD/370V  
 ENCL: SEMI-ENCL  
 UL & CSA LOGO  
 THERMALLY PROTECTED



		.25[6.4]
		.25[6.4]
	21.5/23.5[546/597]	.50[12.7]
	21.5/23.5[546/597]	.50[12.7]
	21.5/23.5[546/597]	.50[12.7]
	21.5/23.5[546/597]	.50[12.7]


DISTRIBUTION SERVICES

- 形位公差
- 平面度
- 直线度
- ∠ 倾斜度
- ⊥ 垂直度
- ∥ 平行度
- 圆度
- ⊘ 圆柱度
- ⊖ 面轮廓度
- ⊖ 线轮廓度
- ↗ 圆跳动
- ⊕ 位置度
- ⊙ 同轴度
- ≡ 对称度

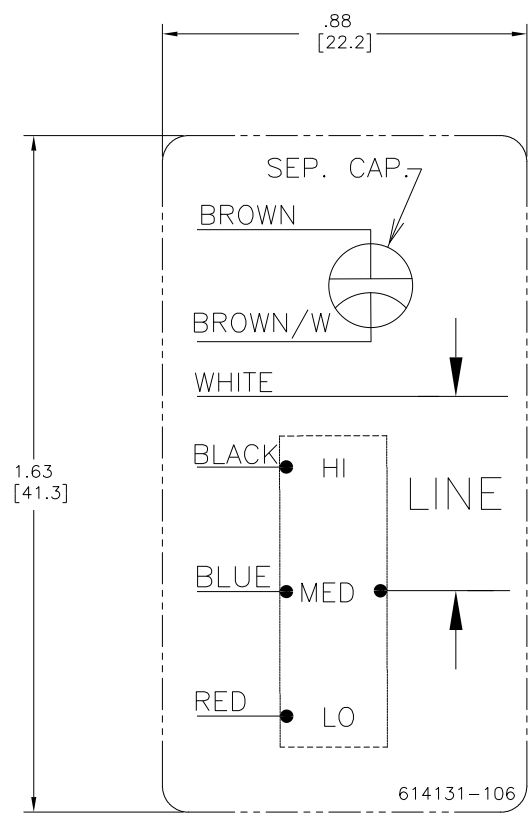
ASME Y14.5M 1994

REGAL-BELOIT CORPORATION (RBC) 在个别领域为客户提供技术支持。鉴于RBC未收到任何涉及电机使用和应用环境的数据，电机的适用性由客户自己决定。  
 未注公差尺寸仅供参考。

绘图: DZ 02-21-2011  
 批准: DZ 02-21-2011  
 第三角投影 图纸格式发布日期 11-11-2011  
 图纸格式版本 G  
 机密: 本图纸及相关信息所有权归REGAL-BELOIT CORPORATION。未经REGAL-BELOIT CORPORATION书面授权, 不得泄露、复制、传播或作其他用途。—版权所有



名称: MODEL-RFHP-48FR OUTLINE  
 图号: F48V78A01  
 图幅: C  
 比例: NONE  
 页号: 1



- NOTES:
1. FOR USE WITH 614129 OR 2513020-001 NAMEPLATE BLANKS
  2. \_\_\_\_\_ INDICATES DIMENSION LIMITS

DRAWING REVISION D	REVISION BY J. RUPERT	DATE 09-08-2022	TOLERANCES UNLESS OTHERWISE SPECIFIED DEC. INCH mm ANGLE .X ±0.1 [±2.5] ±0.5° .XX ±0.02 [±0.51] .XXX ±0.005 [±0.127] XXXX ±0.0005 [±0.0127]	DRAWN BY: PZ	Regal Beloit America, Inc.
ECO NMR-0216370	APPROVED BY J. RUPERT	DATE 09-08-2022	REMOVE BURRS & BREAK SHARP EDGES .003/.015 [0.076/.381] X 45° CORNER FILLETS R.02 [51] MACHINED SURFACES .125/ mm 32/ INCH mm 32/ mm SHOWN IN [BRACKETS]	DATE: 04-12-2011	
ECO DESCRIPTION REVISED FOR UP ISSUE				APPROVED BY: Tiger Wong	DESCRIPTION CONN-DIAGRAM NAMEPLATE
<small>                 COPYRIGHT REGAL BELOIT AMERICA, INC. ALL RIGHTS RESERVED.                  PROPRIETARY AND CONFIDENTIAL INFORMATION - THIS DOCUMENT IS THE PROPERTY OF REGAL BELOIT AMERICA, INC. (OWNER) AND CONTAINS OWNER'S PROPRIETARY INFORMATION. ANY REPRODUCTION OR OTHER FORM RECEIVING IT IS DENIED. BY RECEIVING IT, TO AGREE THAT IT, AND/OR ANY PART OF IT, SHALL NOT BE DISCLOSED TO ANY PERSON, CORPORATION OR OTHER ENTITY, DUPLICATED, AND/OR USED, EXCEPT AS EXPRESSLY APPROVED IN WRITING IN ADVANCE BY OWNER. THIS DOCUMENT SHALL BE RETURNED TO OWNER UPON REQUEST. IT MAY BE SUBJECT TO CERTAIN RESTRICTIONS UNDER APPLICABLE EXPORT CONTROL LAWS AND REGULATIONS.             </small>				DATE: 04-12-2011	MATERIAL
				REFERENCE	PROCESS/FINISH
				THIRD ANGLE PROJECTION	SIZE DWG NO C 614131-106
					SHEET 1