

# PRODUCT INFORMATION PACKET



Model No: DSB1056H  
Catalog No: DSB1056H  
Fan Coil & Air Conditioner Motor, 1/2 HP, 1 Ph, 60 Hz, 230 V, 1075 RPM, 2 Speed, 48 Frame,  
SEMI ENCLOSED



Regal and Century are trademarks of Regal Rexnord Corporation or one of its affiliated companies.  
©2022 Regal Rexnord Corporation, All Rights Reserved. MC017097E





**Nameplate Specifications**

Output HP	1/2 Hp	Output KW	0.37 kW
Frequency	60 Hz	Voltage	230 V
Current	4.0 A	Speed	1075 rpm
Service Factor	1	Phase	1
Duty	Air Over	Insulation Class	B
Frame	48Y	Enclosure	Semi Enclosed
Thermal Protection	Automatic	Ambient Temperature	40 °C
UL	Recognized	CSA	Y
CE	N	Number of Speeds	2

**Technical Specifications**

Electrical Type	Permanent Split Capacitor	Starting Method	Across The Line
Poles	6	Rotation	Counterclockwise Lead End
Mounting	Resilient Base	Motor Orientation	Horizontal
Drive End Bearing	Sleeve	Opp Drive End Bearing	Sleeve
Frame Material	Rolled Steel	Shaft Type	Flat
Overall Length	19.86 in	Frame Length	4.38 in
Shaft Diameter	0.500 in	Shaft Extension	7.5X.5X7.5 in
Outline Drawing	11819-021-S01	Connection Drawing	614131-253

This is an uncontrolled document once printed or downloaded and is subject to change without notice. Date Created:11/28/2022

4

3

2

1

GENERAL INFORMATION:

SHAFT RUNOUT: .001[.03] T.I.R. PER INCH LENGTH OF EXTENSION.

END PLAY: .010[.25] TO .063[1.60]

BEARINGS: SLEEVE

MOUNTING POSITION: HORIZONTAL

ELECTRICAL DATA:

OVERLOAD PROTECTOR: AUTOMATIC RESET (T.I. 7AM 036)

LEADS: NO. 18 GA., .03[.8] THK., 125°C XLP INSUL.

GROUND LEAD: NO. 18 GA., .03[.8] THK., GREEN INSUL.

NOTES:

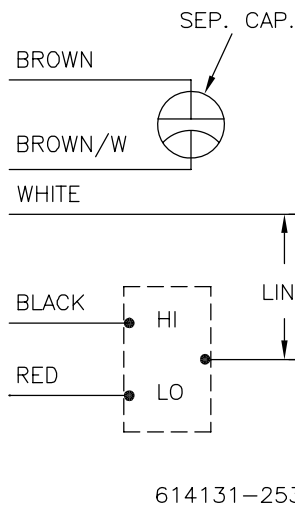
- 1. DISTRIBUTION: CUST. P/N: DSB1056H  
GRAINGER: CUST. P/N: 4UU32

SEE NOTE 1

NAMEPLATE DATA:

MODEL NO.: F48V34A01  
CUST. P/N: [ ]  
HP: 1/2  
ROT: CCWLE  
RPM: 1075/2SPD  
TYPE: UF  
FRAME: 48Y  
VOLTS: 230  
PH: 1  
AMPS: 4.0  
HZ: 60  
INS: B  
AMB: 40°C  
DUTY: AIR OVER  
ENCL.: SEMI-ENCLOSED  
CAP.: 5 MFD/370 VAC  
UL & CSA LOGO  
THERMALLY PROTECTED

EXTERNAL CONNECTION DIAGRAM



614131-253

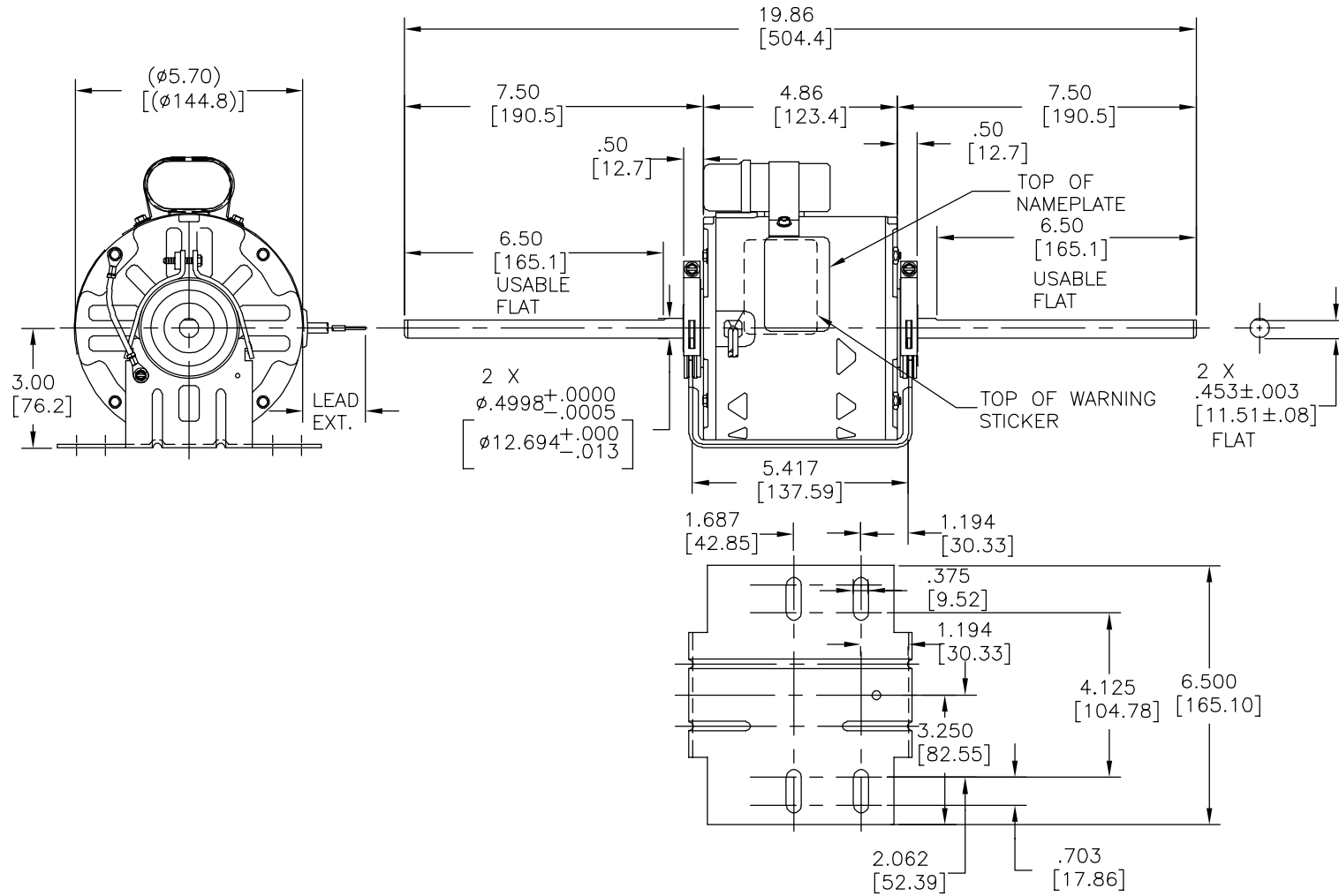
PERFORMANCE CURVE NO.	TORQUE @1075 RPM (25°C)	APPROVED SAMPLE	UL COMPONENT		CSA	
			FILE #	CCN #	FILE #	CLASS #
C32358	50.9 OZ. FT.	0442620A	E46412	PRGY2	LR43341	4211-01

GEOMETRIC CHARACTERISTICS & SYMBOLS  
 □ FLATNESS  
 — STRAIGHTNESS  
 < ANGLARITY  
 ⊥ PERPENDICULARITY (SQUARENESS)  
 // PARALLELISM  
 ○ ROUNDNESS (CIRCULARITY)  
 ∅ CYLINDRICITY  
 △ PROFILE OF ANY SURFACE  
 ∩ PROFILE OF ANY LINE  
 ↗ RUNOUT  
 ⊕ TRUE POSITION  
 ⊙ CONCENTRICITY  
 = SYMMETRY  
 ASME Y14.5M 1994

REGAL-BELOIT CORPORATION (RBC) PROVIDES TECHNICAL ASSISTANCE TO OUR CUSTOMERS IN SEVERAL AREAS. SINCE RBC DOES NOT RECEIVE ALL DATA CONCERNING THE USE AND APPLICATION OF THE MOTOR, THE SUITABILITY OF THE MOTOR FOR THE APPLICATION MUST BE DETERMINED BY THE CUSTOMER.

DIMENSIONS WITHOUT TOLERANCES ARE FOR REFERENCE ONLY.

REV	ECO	REV BY	DATE	APPD	DATE
E	0025544	I.MATA	04-26-2012	R.RASCON	04-26-2012



COLOR	LENGTH	TERMINAL OR STRIP LENGTH
GREEN (GRD)	CONNECTED TO BASE	#8 EYELET
BROWN	CONNECTED TO CAPACITOR	.25 [6.4] FLAG
BROWN/WHITE	CONNECTED TO CAPACITOR	.25 [6.4] FLAG
WHITE	21/23 [533/584]	.50 [12.7] SKIN
BLACK	21/23 [533/584]	.50 [12.7] SKIN
RED	21/23 [533/584]	.50 [12.7] SKIN

LEAD DATA	
MAIN FRAME - OLE	SEMI-ENCLOSED
END FRAME - OLE	OPEN
MAIN FRAME - LE	SEMI-ENCLOSED
END FRAME - LE	OPEN

ENCLOSURE	
MAIN FRAME - OLE	SEMI-ENCLOSED
END FRAME - OLE	OPEN
MAIN FRAME - LE	SEMI-ENCLOSED
END FRAME - LE	OPEN

CUST.	DISTRIBUTION SERVICE

A

A

4

3

2

1



DESCRIPTION	
MODEL-RFHP-48FR OUTLINE	
SIZE C	DWG NO 11819-021
SCALE NONE	SHEET 1

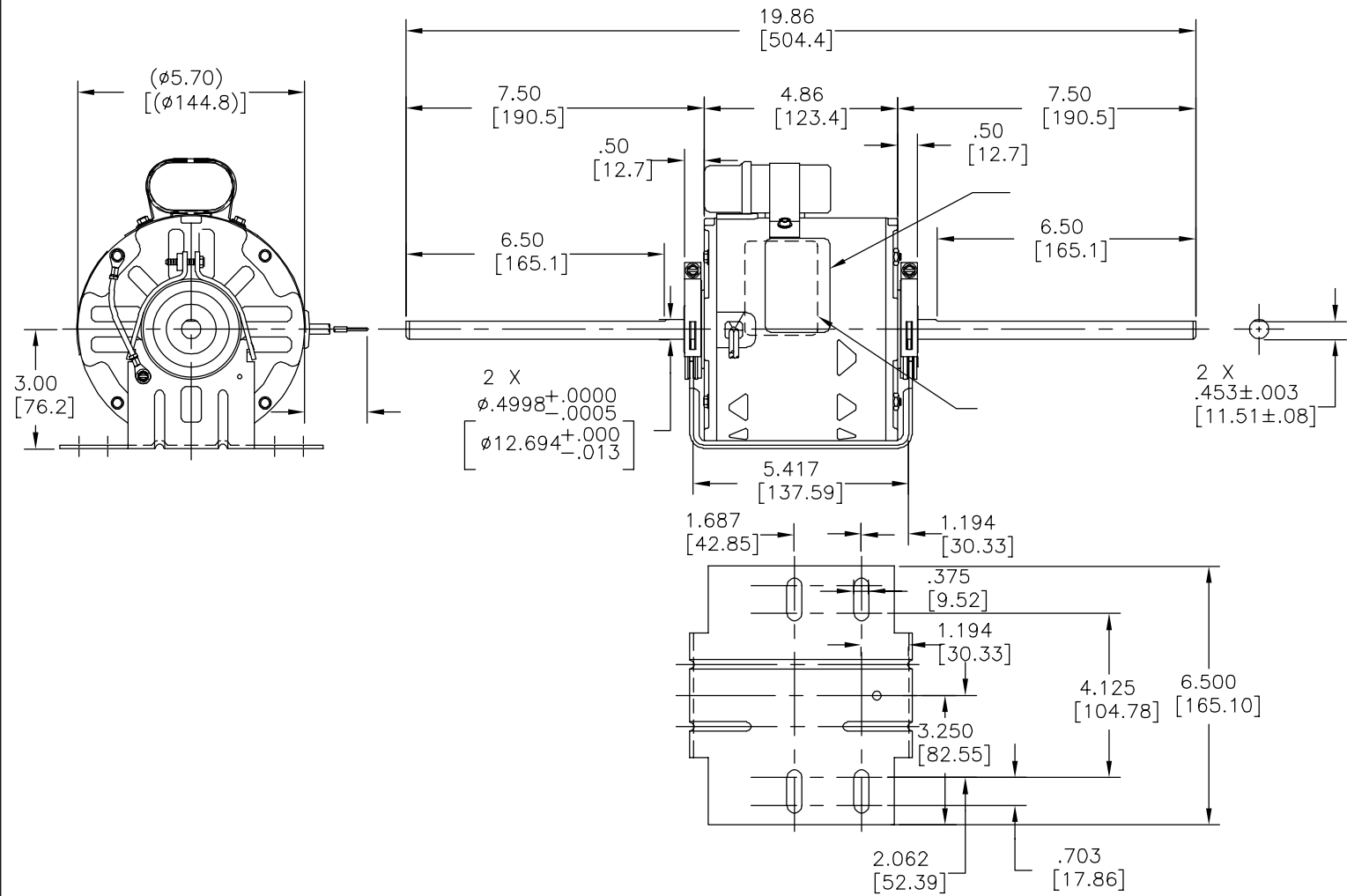
4

3

2

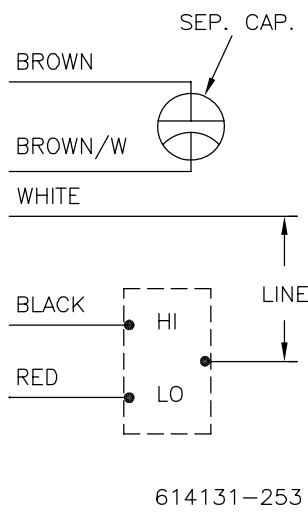
1

REVISION:	ECO	REVISADO POR:	FECHA:	APROBADO POR:	FECHA:
E	0025544	I.MATA	04-26-2012	R.RASCON	04-26-2012



SEE NOTE 1

MODEL NO.: F48V34A01  
 CUST. P/N: [ ]  
 HP: 1/2  
 ROT: CCWLE  
 RPM: 1075/2SPD  
 TYPE: UF  
 FRAME: 48Y  
 VOLTS: 230  
 PH: 1  
 AMPS: 4.0  
 HZ: 60  
 INS: B  
 AMB: 40°C  
 DUTY: AIR OVER  
 ENCL.: SEMI-ENCLOSED  
 CAP.: 5 MFD/370 VAC  
 UL & CSA LOGO  
 THERMALLY PROTECTED



		.25
		[6.4]
		.25
		[6.4]
	21/23	.50
	[533/584]	[12.7]
	21/23	.50
	[533/584]	[12.7]
	21/23	.50
	[533/584]	[12.7]

						CSA
C32358	50.9 OZ. FT.	0442620A	E46412	PRGY2	LR43341	4211-01

CARACTERISTICAS DE GEOMETRIA Y SIMBOLOS  
 ▽ PLANICIDAD  
 — RECTITUD  
 < ANGULARIDAD  
 ⊥ PERPENDICULARIDAD (A ESCUADRA)  
 // PARALELISMO  
 ○ REDONDEZ (CIRCULARIDAD)  
 ∅ CILINDRICIDAD  
 △ PERFIL DE CUALQUIER SUPERFICIE  
 ∩ PERFIL DE CUALQUIER LINEA  
 ↗ VARIACION  
 ⊕ POSICION REAL  
 ⊙ CONCENTRICIDAD  
 = SIMETRIA  
 ASME Y14.5M 1994

REGAL-BELOIT CORPORATION (RBC)  
 PROVEE ASISTENCIA TECNICA A  
 NUESTROS CLIENTES EN VARIAS AREAS.  
 DESDE QUE RBC NO RECIBE TODOS  
 LOS DATOS EN RELACION AL USO Y A  
 LA APLICACION DEL MOTOR, LA  
 APLICACION ADECUADA DEL MOTOR  
 DEBE SER DETERMINADA POR EL  
 CLIENTE.

DIMENSIONES SIN TOLERANCIA SON  
 DE REFERENCIA SOLAMENTE

DIBUJADO POR: J.WILLIAMS 09-15-2004  
 APROBADO POR: T.RILE 09-20-2004  
 TERCER ANGULO DE PROYECCION  
 FECHA EDS: 11-11-2011  
 REV. FORMATO: G  
 CONFIDENCIAL: ESTE DIBUJO Y SU INFORMACION SON PROPIEDAD DE USO EXCLUSIVO Y CONFIDENCIAL DE REGAL-BELOIT CORPORATION. Y NO DEBERAN SER REVELADOS, DUPLICADOS, DISTRIBUIDOS O USARSE DE OTRA MANERA SIN EL CONSENTIMIENTO ESCRITO DE REGAL-BELOIT CORPORATION. -TODOS LOS DERECHOS RESERVADOS.



DESCRIPCION: MODEL-RFHP-48FR  
 OUTLINE

TAMAÑO: C NUMERO DE DIBUJO: 11819-021

ESCALA: NONE HOJA: 1

4

3

2

1

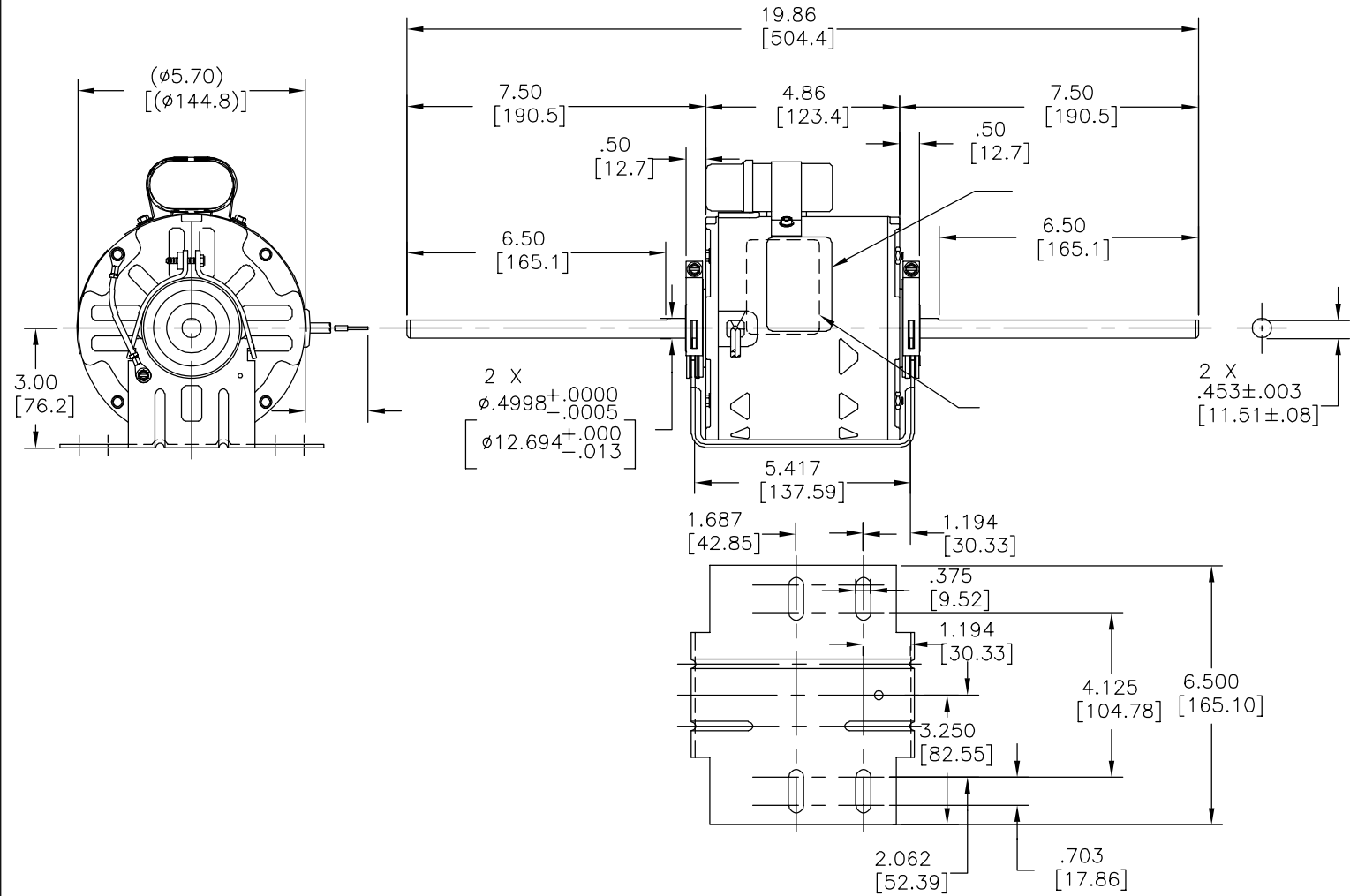
4

3

2

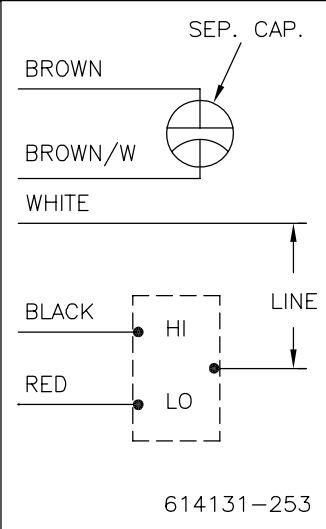
1

版本	ECO	编制	日期	批准	日期
E	0025544	I.MATA	04-26-2012	R.RASCON	04-26-2012



SEE NOTE 1

MODEL NO.: F48V34A01  
 CUST. P/N: [ ]  
 HP: 1/2  
 ROT: CCWLE  
 RPM: 1075/2SPD  
 TYPE: UF  
 FRAME: 48Y  
 VOLTS: 230  
 PH: 1  
 AMPS: 4.0  
 HZ: 60  
 INS: B  
 AMB: 40°C  
 DUTY: AIR OVER  
 ENCL.: SEMI-ENCLOSED  
 CAP.: 5 MFD/370 VAC  
 UL & CSA LOGO  
 THERMALLY PROTECTED



		.25
		[6.4]
		.25
		[6.4]
21/23	[533/584]	.50
		[12.7]
21/23	[533/584]	.50
		[12.7]
21/23	[533/584]	.50
		[12.7]

						CSA
C32358	50.9 OZ. FT.	0442620A	E46412	PRGY2	LR43341	4211-01

- 形位公差
- 平面度
- 直线度
- ∠ 倾斜度
- ⊥ 垂直度
- ∥ 平行度
- 圆度
- ⊘ 圆柱度
- ⊖ 面轮廓度
- ⊖ 线轮廓度
- ↗ 圆跳动
- ⊕ 位置度
- ◎ 同轴度
- ≡ 对称度

ASME Y14.5M 1994

REGAL-BELOIT CORPORATION (RBC) 在个别领域为客户提供技术支持。鉴于 RBC 未收到任何涉及电机使用和应用环境的数据，电机的适用性由客户自己决定。

未注公差尺寸仅供参考。

绘图: J.WILLIAMS 09-15-2004  
 批准: T.RILE 09-20-2004  
 第三角投影  
 机密: 本图纸及相关信息所有权归 REGAL-BELOIT CORPORATION 未经 REGAL-BELOIT CORPORATION 书面授权, 不得泄露、复制、传播或作其他用途。— 版权所有

REGAL-BELOIT CORPORATION

名称: MODEL-RFHP-48FR OUTLINE

图幅: C 图号: 11819-021

比例: NONE 页号: 1

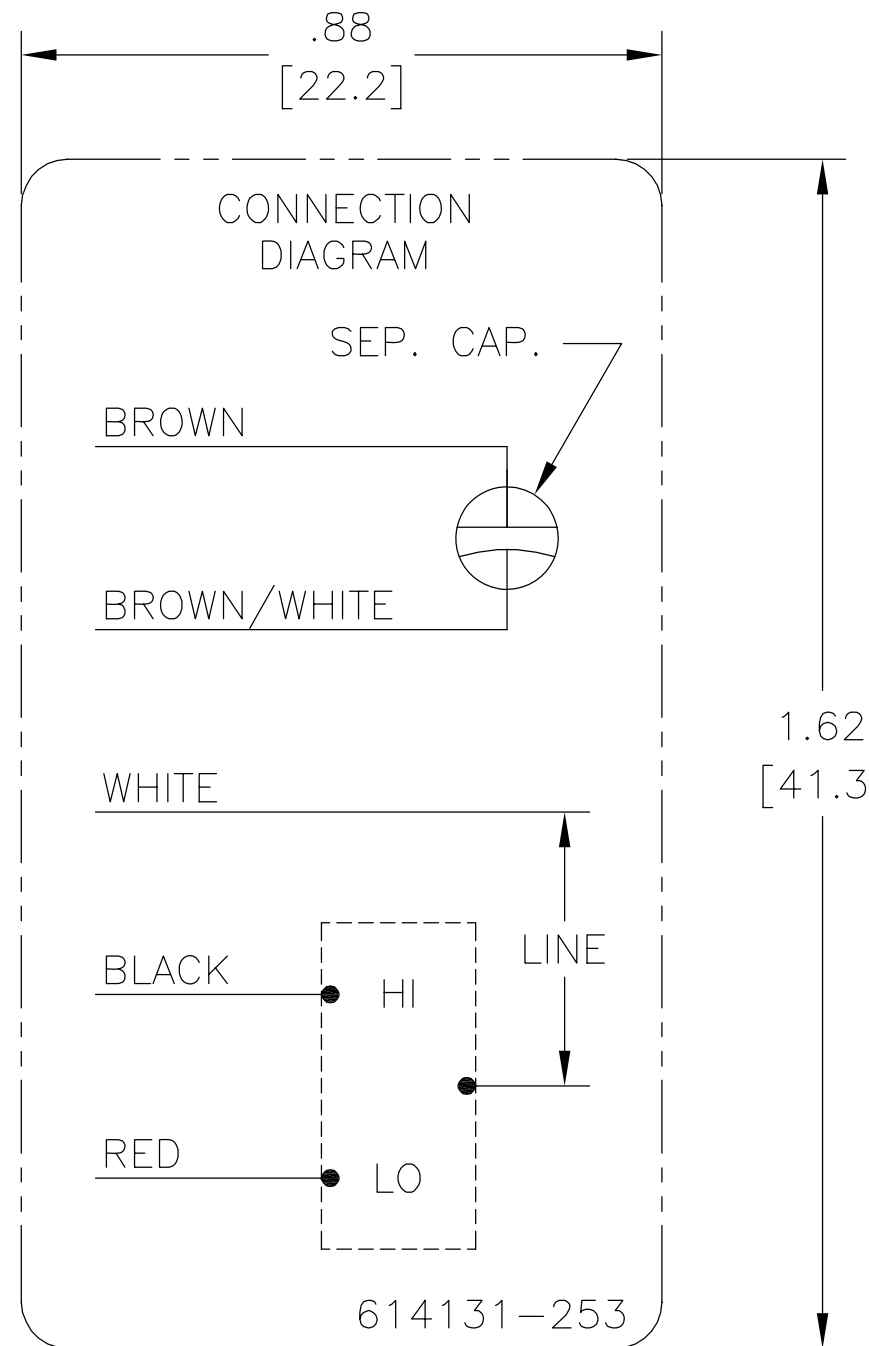
4

3

2

1

REV	ECO	REV BY	DATE	APPD	DATE
C	0024359	G. ALVIDREZ	02-15-2012	M. ARGUELLES	02-15-2012



NOTES:

1. FOR USE WITH 614129 NAMEPLATE BLANK
2. — — — — — INDICATES DIMENSION LIMITS
3. DIE TO BE MADE FROM MASTER SUPPLIED BY A. O. SMITH CORPORATION
4. DIE MUST PRODUCE A LEGIBLE IMPRESSION.

GEOMETRIC CHARACTERISTICS & SYMBOLS

- ▭ FLATNESS
- STRAIGHTNESS
- ∠ ANGULARITY
- ⊥ PERPENDICULARITY (SQUARENESS)
- // PARALLELISM
- ROUNDNESS (CIRCULARITY)
- ⊘ CYLINDRICITY
- △ PROFILE OF ANY SURFACE
- ⌒ PROFILE OF ANY LINE
- ↗ RUNOUT
- ⊕ TRUE POSITION
- ◎ CONCENTRICITY
- ≡ SYMMETRY

ASME Y14.5M 1994

UNLESS OTHERWISE SPECIFIED  
DIM. TOLERANCES ARE AS FOLLOWS:

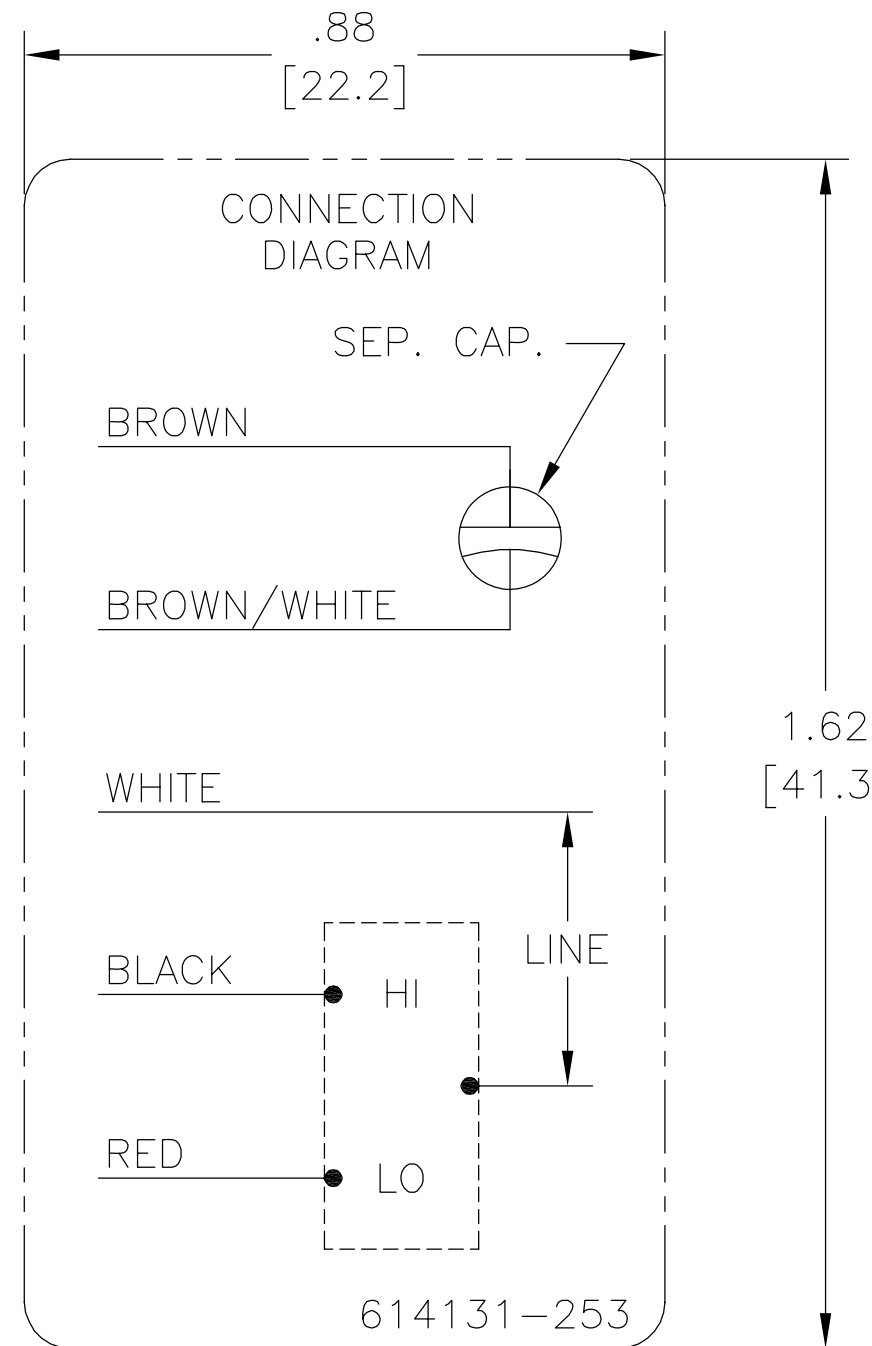
INCH	±.1	±.02	±.005	±.0005
mm	±0.5	±0.13	±0.013	

ANG. ±.50 DEG  
REMOVE BURRS & BREAK SHARP EDGES:  
INCH .003-.015 mm 0.1-0.4  
CORNER FILLETS TO:  
INCH .020 mm 0.5  
MACHINE SURFACES:  
INCH  $\sqrt{125}$  mm  $\sqrt{3.2}$   
METRIC DIMS. SHOWN IN [BRACKETS]

DR BY:	J. RUPERT	09-30-2009
APPD:	DEXIAN LI	09-30-2009
THIRD ANGLE PROJECTION		EDS DATE 11-11-2011 FORMAT REV G
CONFIDENTIAL: THIS DRAWING AND ITS INFORMATION ARE THE EXCLUSIVE AND CONFIDENTIAL PROPERTY OF REGAL-BELOIT CORPORATION AND ARE NOT TO BE DISCLOSED, DUPLICATED, DISTRIBUTED OR OTHERWISE USED WITHOUT THE WRITTEN CONSENT OF REGAL-BELOIT CORPORATION. -ALL RIGHTS RESERVED.		

DESCRIPTION CONN DIAGRAM-EXTERNAL	
SIZE A	DWG NO 614131-253
SCALE NONE	SHEET 1

REVISION:	ECO	REVISADO POR:	FECHA:	APROBADO POR:	FECHA:
C	0024359	G. ALVIDREZ	02-15-2012	M. ARGUELLES	02-15-2012

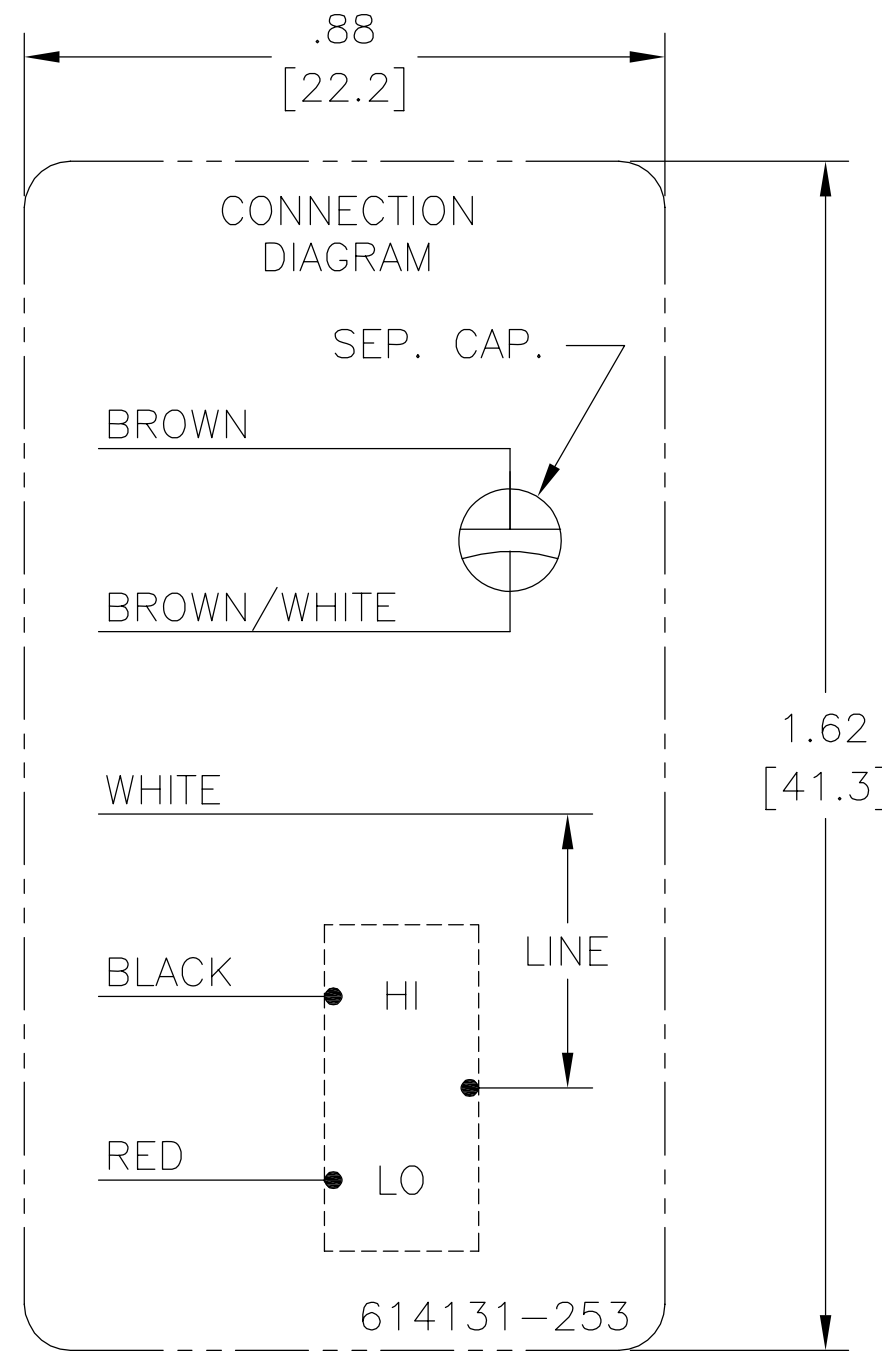


NOTES:

1. FOR USE WITH 614129 NAMEPLATE BLANK
2. — — — — — INDICATES DIMENSION LIMITS
3. DIE TO BE MADE FROM MASTER SUPPLIED BY A. O. SMITH CORPORATION
4. DIE MUST PRODUCE A LEGIBLE IMPRESSION.

CARACTERISTICAS DE GEOMETRIA Y SIMBOLOS ▽ PLANICIDAD — RECTITUD < ANGULARIDAD ⊥ PERPENDICULARIDAD (A ESCUADRA) // PARALELISMO ○ REDONDEZ (CIRCULARIDAD) ⌀ CILINDRICIDAD △ PERFIL DE CUALQUIER SUPERFICIE ∩ PERFIL DE CUALQUIER LINEA ↗ VARIACION ⊕ POSICION REAL ⊙ CONCENTRICIDAD = SIMETRIA	A MENOS QUE SE ESPECIFIQUE DE OTRA MANERA, LAS TOLERANCIAS DE LAS DIMS; SON LAS SIGUIENTES: PULG ±.1 ±.02 ±.005 ±.0005 mm ±0.5 ±0.13 ±0.013 ANG. ±.50 GRADOS ELIMINAR REBABAS Y ORILLAS FILOSAS DEL BORDE. PULG .003-.015 mm 0.1-0.4 FILETEAR ESQUINA: PULG .020 mm 0.5 MAQUINAR SUPERFICIES PULG 125 mm 3.2 DIMS METRICAS MOSTRADAS [PARENTESIS]	DIBUJADO POR: J. RUPERT	09-30-2009		DESCRIPCION: CONN DIAGRAM-EXTERNAL
		APROBADO POR: DEXIAN LI	09-30-2009		
CONFIDENCIAL: ESTE DIBUJO Y SU INFORMACION SON PROPIEDAD DE USO EXCLUSIVO Y CONFIDENCIAL DE REGAL-BELOIT CORPORATION Y NO DEBERAN SER REVELADOS, DUPLICADOS, DISTRIBUIDOS O USARSE DE OTRA MANERA SIN EL CONSENTIMIENTO ESCRITO DE REGAL-BELOIT CORPORATION.-TODOS LOS DERECHOS RESERVADOS.				TAMAÑO: A	NUMERO DE DIBUJO: 614131-253
				ESCALA: NONE	HOJA: 1

版本	ECO	编制	日期	批准	日期
C	0024359	G. ALVIDREZ	02-15-2012	M. ARGUELLES	02-15-2012



NOTES:

1. FOR USE WITH 614129 NAMEPLATE BLANK
2. — — — — — INDICATES DIMENSION LIMITS
3. DIE TO BE MADE FROM MASTER SUPPLIED BY A. O. SMITH CORPORATION
4. DIE MUST PRODUCE A LEGIBLE IMPRESSION.

形位公差 □ 平面度 — 直线度 < 倾斜度 ⊥ 垂直度 // 平行度 ○ 圆度 ⊙ 圆柱度 △ 面轮廓度 ⊖ 线轮廓度 ↗ 圆跳动 ⊕ 位置度 ◎ 同轴度 ≡ 对称度	除另有注明 尺寸公差如下: 英寸 X XX XXX XXXX ±.1 ±.02 ±.005 ±.0005 毫米 ±0.5 ±0.13 ±0.013 角度 ±.50 度 清理毛刺和尖棱 英寸 .003-.015 毫米 0.1-0.4 内圆角 英寸 .020 毫米 0.5 表面粗糙度 英制 125 米制 3.2 米制尺寸显示在 [ ]	绘图: J. RUPERT 09-30-2009 批准: DEXIAN LI 09-30-2009 第三角投影  图纸格式发布日期 11-11-2011 图纸格式版本 G	
	名称 CONN DIAGRAM-EXTERNAL		
	图幅 A 图号 614131-253		
	比例 NONE 页号 1		
ASME Y14.5M 1994	机密:本图纸及相关信息所有权归REGAL-BELOIT CORPORATION. 未经REGAL-BELOIT CORPORATION书面授权,不得泄露、 复制、传播或作其他用途。—版权所有		