

PRODUCT INFORMATION PACKET



Model No: E100010.00

Catalog No: E100010.00

ecoSaver™ General Purpose Motor, 0.33 HP, 1 Ph, 60 Hz, 115/230 V, 1800 RPM, S56 Frame, DP



Regal and LEESON are trademarks of Regal Rexnord Corporation or one of its affiliated companies.

©2025 Regal Rexnord Corporation, All Rights Reserved. MC017097E





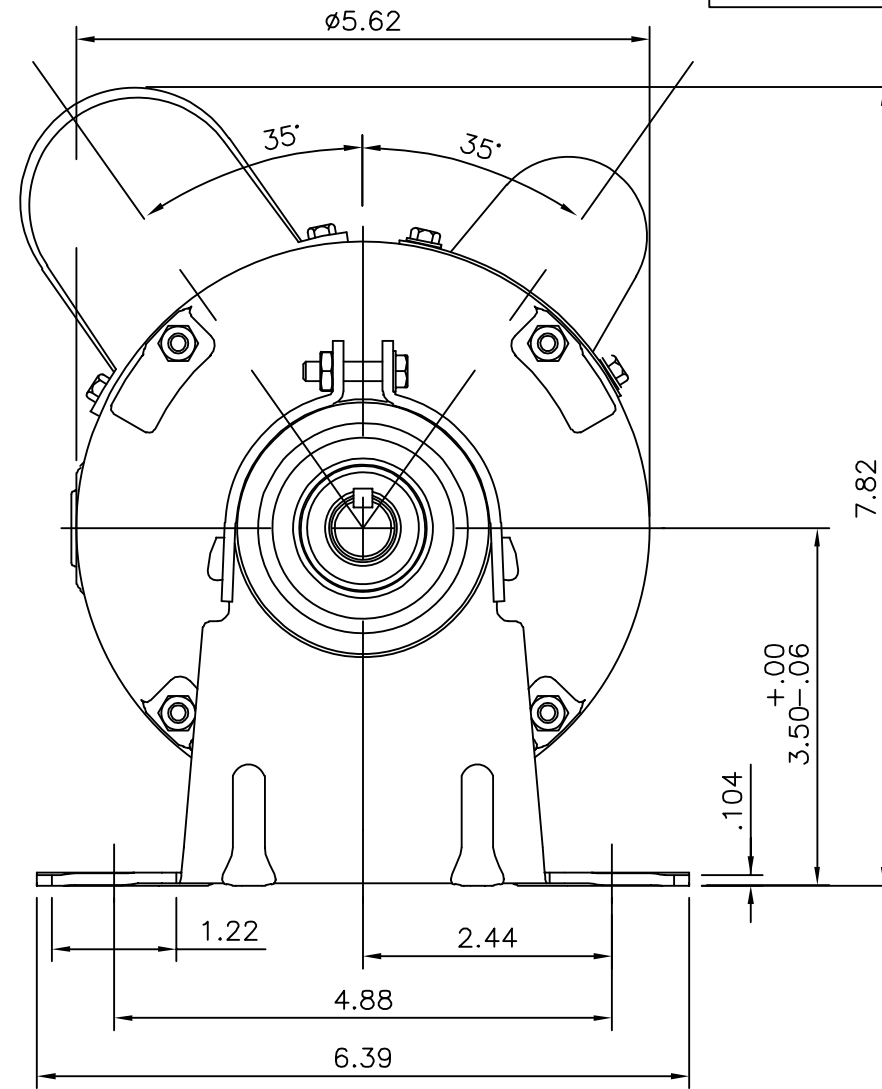
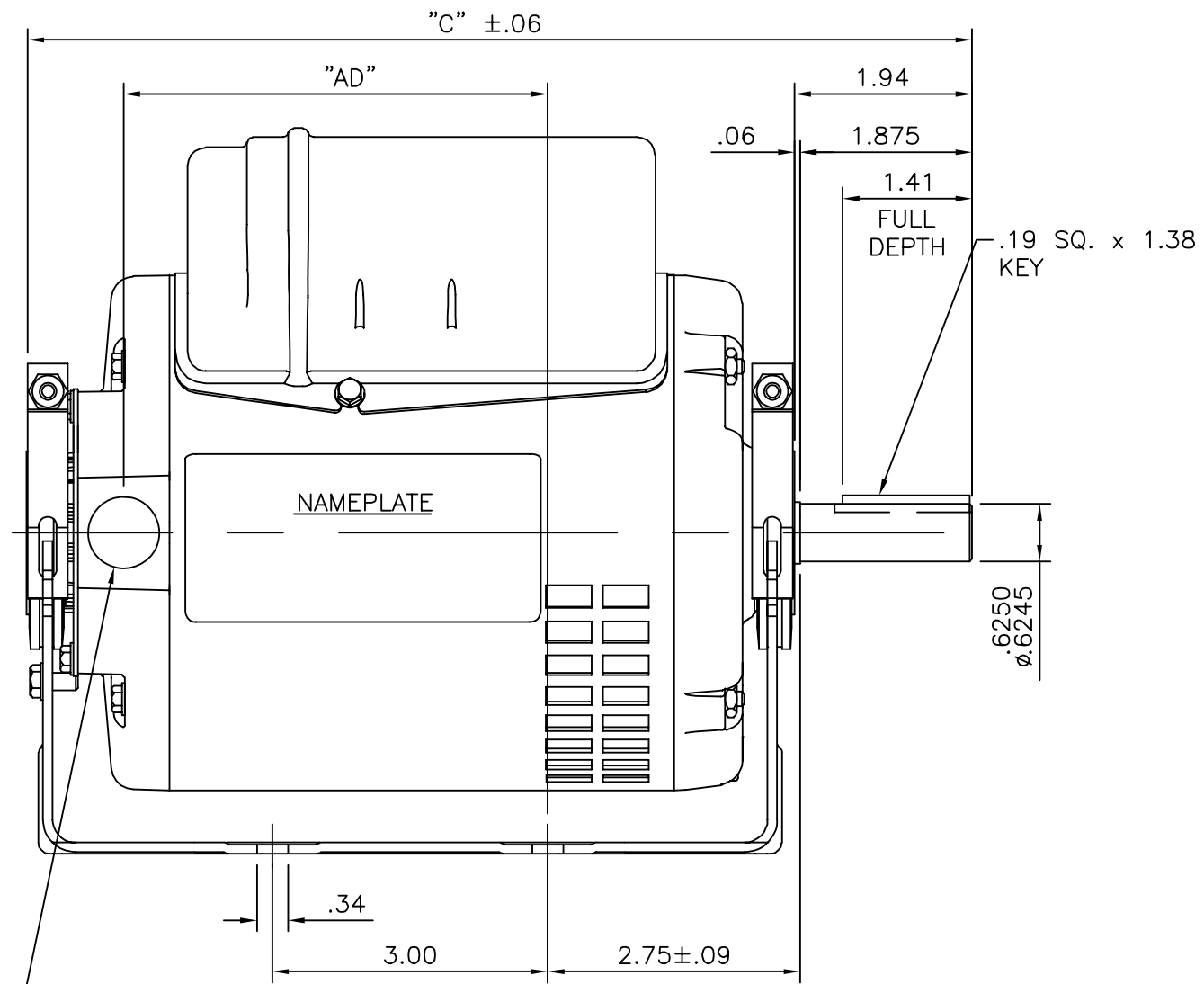
Nameplate Specifications

Phase	1	Output HP	0.33 Hp
Output KW	0.25 kW	Voltage	115/230 V
Speed	1725 rpm	Service Factor	1.35
Frame	S56	Enclosure	Drip Proof
Thermal Protection	Automatic	Efficiency	72.4 %
Ambient Temperature	40 °C	Frequency	60 Hz
Current	3.8/1.9 A	Power Factor	79
Duty	Continuous	Insulation Class	F
Design Code	N	KVA Code	L
Drive End Bearing Size	6203	Opp Drive End Bearing Size	6203
UL	Recognized	CSA	Y
CE	Y	IP Code	22
Number of Speeds	1		

Technical Specifications

Electrical Type	Capacitor Start Capacitor Run	Starting Method	Across The Line
Poles	4	Rotation	Selective Counterclockwise
Resistance Main	0 Ohms	Mounting	Resilient Base
Motor Orientation	Horizontal	Drive End Bearing	Ball
Opp Drive End Bearing	Ball	Frame Material	Rolled Steel
Shaft Type	NEMA 56	Overall Length	11.81 in
Frame Length	7.00 in	Shaft Diameter	0.500 in
Shaft Extension	1.5 in	Assembly/Box Mounting	F1 ONLY
Connection Drawing	005053.40	Outline Drawing	SS404125-700

SS404125



1/2-14 NPT
CONDUIT HOLE
(PLUGGED)

DASH NO.	"C"	"AD"
700	11.81	6.12
750	12.31	6.62

TOLERANCES
UNLESS SPECIFIED

DEC.	INCHES
.X	±.1
.XX	±.03
.XXX	±.005
.XXXX	±.0005
ANG	±7'30"



Regal Beloit America, Inc.

TITLE OUTLINE
S56 FRAME ROUND MOUNT – DRIP PROOF

MAT'L.

FINISH

DRAWN PVR 12/19/14

CHK VS 12/19/14

APPD

SCALE NTS

REF 031623

FMF

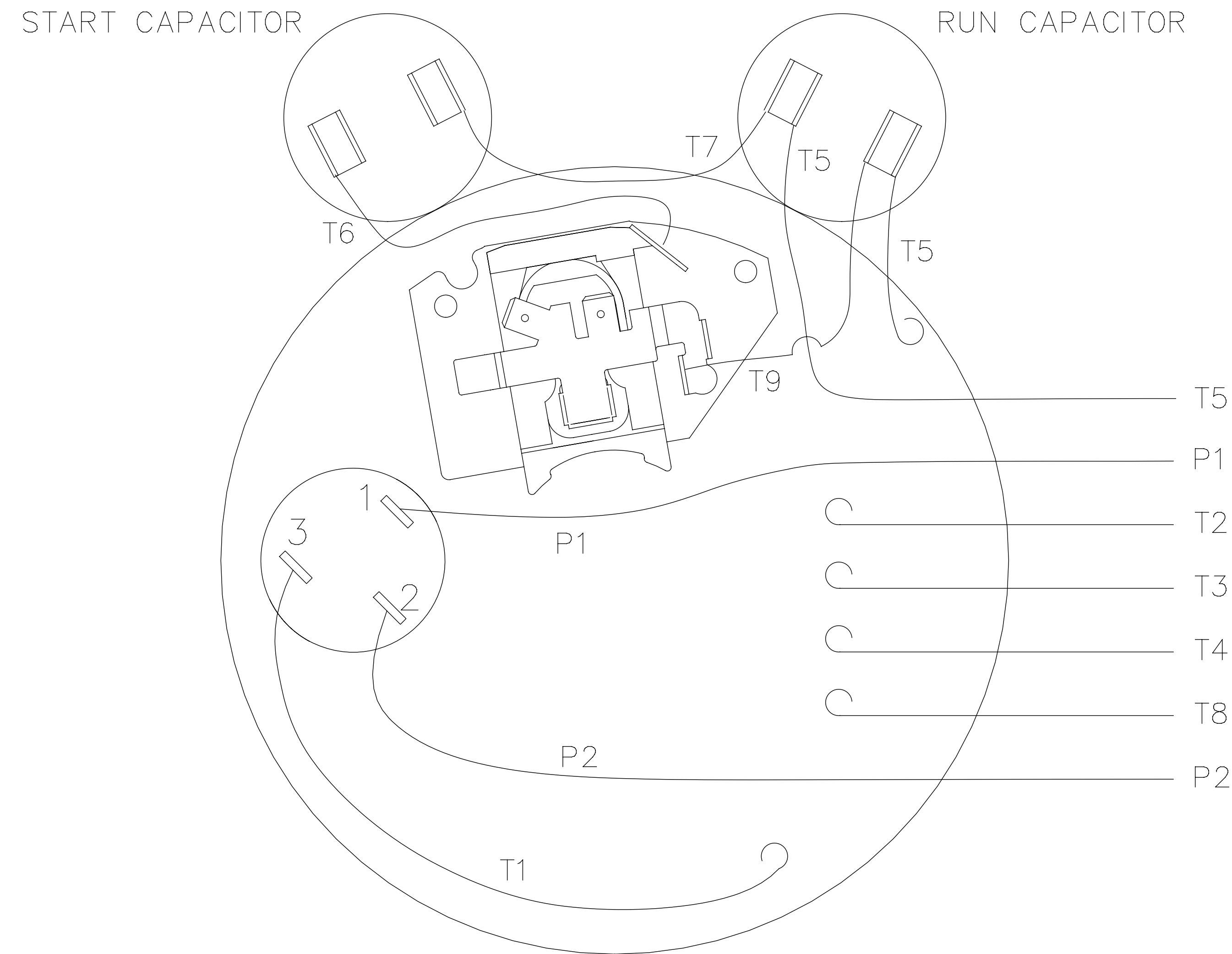
PREV

NO.	REVISION	BY & DATE	CHK	ANG	±7'30"	FINISH

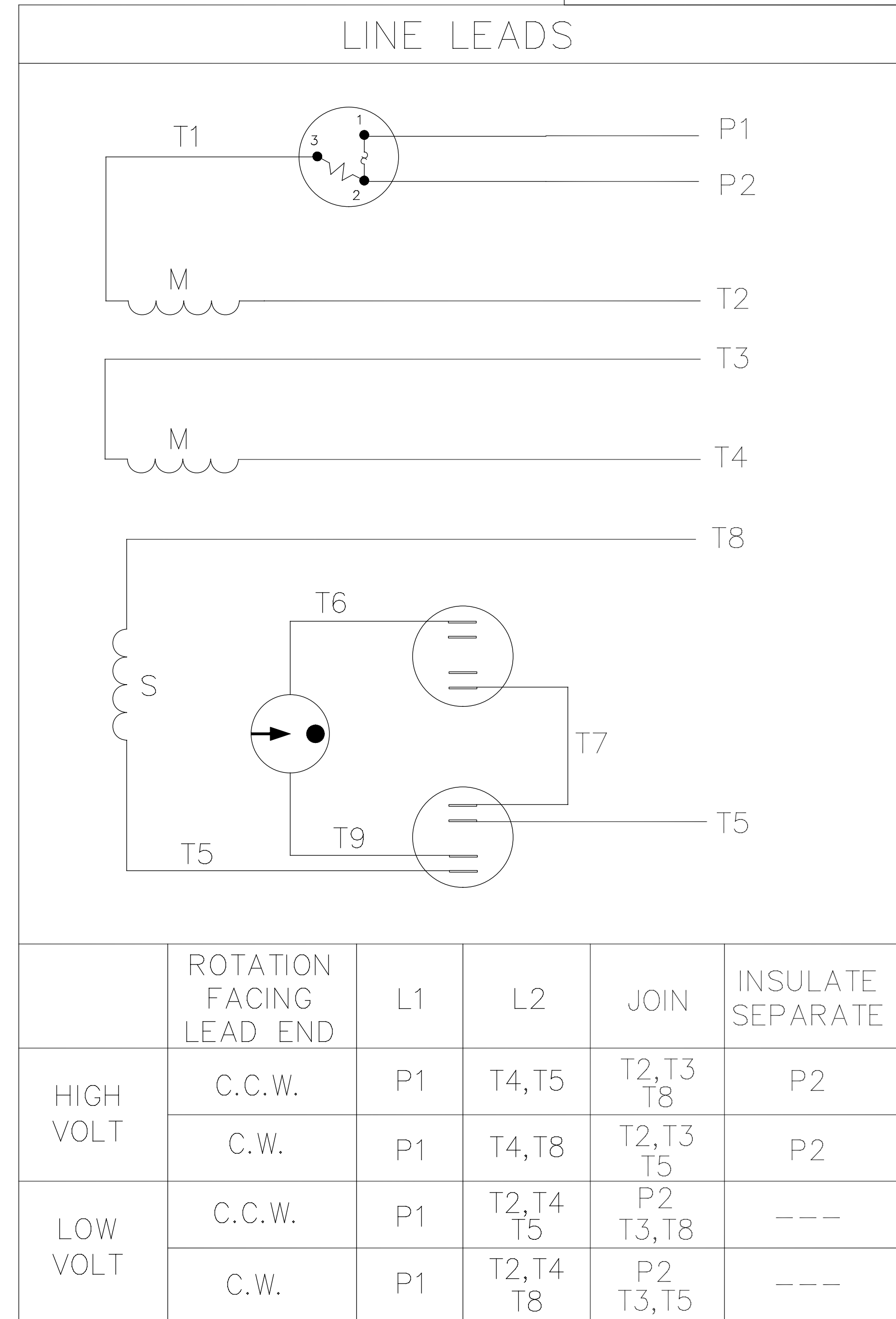
THIS DRAWING IN DESIGN AND DETAIL IS OUR PROPERTY AND MUST NOT BE USED EXCEPT IN CONNECTION WITH OUR WORK ALL RIGHTS OF DESIGN AND INVENTION ARE RESERVED THIS IS AN ELECTRONICALLY GENERATED DOCUMENT – DO NOT SCALE THIS PRINT

RFP CAD FILE SS404125
DIST WP

SIZE DRAWING NO. PAGE 1 OF 1 REV.
A SS404125



VIEW FROM OUTSIDE OF MOTOR AT SWITCH END



		TOLERANCES UNLESS SPECIFIED			
		DEC.	INCHES		
		.X	±.1		
		.XX	±.01		
		.XXX	±.005		
A	CHANGED LOGO TO REGAL	PST	2/1/16	SKM	.XXXX ±.0005
NO.	REVISION	BY & DATE	CHK	ANG	±1/2"
THIS DRAWING IN DESIGN AND DETAIL IS OUR PROPERTY AND MUST NOT BE USED EXCEPT IN CONNECTION WITH OUR WORK ALL RIGHTS OF DESIGN AND INVENTION ARE RESERVED THIS IS AN ELECTRONICALLY GENERATED DOCUMENT - DO NOT SCALE THIS PRINT		RFP	CAD FILE		00505340
		DIST	SIZE		A



TITLE		EXTERNAL WIRING DIAGRAM TYPE "K" W/PROTECTOR	
MAT'L.		DUAL VOLTAGE - DUAL ROTATION	
FINISH			
DRAWING NO.		005053-40	
REV.		A	

DRAWN	PG 7/2/02
CHK	
APPD	
SCALE	5=8
REF	005053.01
FMF	102827.00
PREV	



1051 CHEYENNE AVE.
GRAFTON, WI 53024
PH. 262-377-8810

CATALOG #: E100010.00

CONN. DIAGRAM: 005053.40

OUTLINE: A-SS404125-700

WINDING #: BE484111 3

MOUNTING: F1 ONLY

TYPICAL MOTOR PERFORMANCE DATA

HP	kW	SYNC. RPM	F.L. RPM	FRAME	ENCLOSURE	KVA CODE	DESIGN
1/3	0.25	1800	1725	S56	DP	L	N

PH	Hz	VOLTS	AMPS	START TYPE	DUTY	INSL	S.F.	AMB°C
1	60	115/230	3.8/1.9	ACROSS THE LINE	CONTINUOUS	F3	1.35	40

FULL LOAD EFF:	72.4	3/4 LOAD EFF:	61.2	1/2 LOAD EFF:	51.4	GTD. EFF		ELEC. TYPE	
FULL LOAD PF:	79	3/4 LOAD PF:	76.3	1/2 LOAD PF:	69.2	72.4		CAP START CAP RUN	

F.L. TORQUE	LOCKED ROTOR AMPS	L.R. TORQUE	B.D. TORQUE	F.L. RISE°C
16 OZ-FT	28.4 / 14.2	58 OZ-FT 362 %	43.5 OZ-FT 272 %	30

SOUND PRESSURE @ 3 FT.	SOUND POWER	ROTOR WK^2	MAX. WK^2	SAFE STALL TIME	STARTS / HOUR	APPROX. MOTOR WGT
0 dBA	10 dBA	0 LB-FT^2	0 LB-FT^2	10 SEC.		18 LBS.

*** SUPPLEMENTAL INFORMATION ***

DE BRACKET TYPE	ODE BRACKET TYPE	MOUNT TYPE	ORIENTATION	SEVERE DUTY	HAZARDOUS LOCATION	DRIP COVER	SCREENS	PAINT
STANDARD	STANDARD	RESILIENT BASE	HORIZONTAL	FALSE	NONE	FALSE	NONE	GREEN - LEESON WATTS AVER

BEARINGS		GREASE	SHAFT TYPE	SPECIAL DE	SPECIAL ODE	SHAFT MATERIAL	FRAME MATERIAL
DE	ODE						
BALL	BALL	POLYREX EM	STANDARD 56	NONE	NONE	1144 STRESSPROOF (C-223)	ROLLED STEEL
6203	6203						

THERMO-PROTECTORS				THERMISTORS	CONTROL	SPACE HEATERS
THERMOSTATS	PROTECTORS	WDG RTDs	BRG RTDs			
NONE	AUTOMATIC	NONE	NONE	NONE	FALSE	NONE VOLTS

* N O T E S *	INVERTER TORQUE: NONE INV. HP SPEED RANGE: NONE
	ENCODER: NONE NONE NONE NONE NONE PPR
	BRAKE: NONE NONE NONE P/N NONE NONE NONE NONE FT-LB NONE V NONE Hz



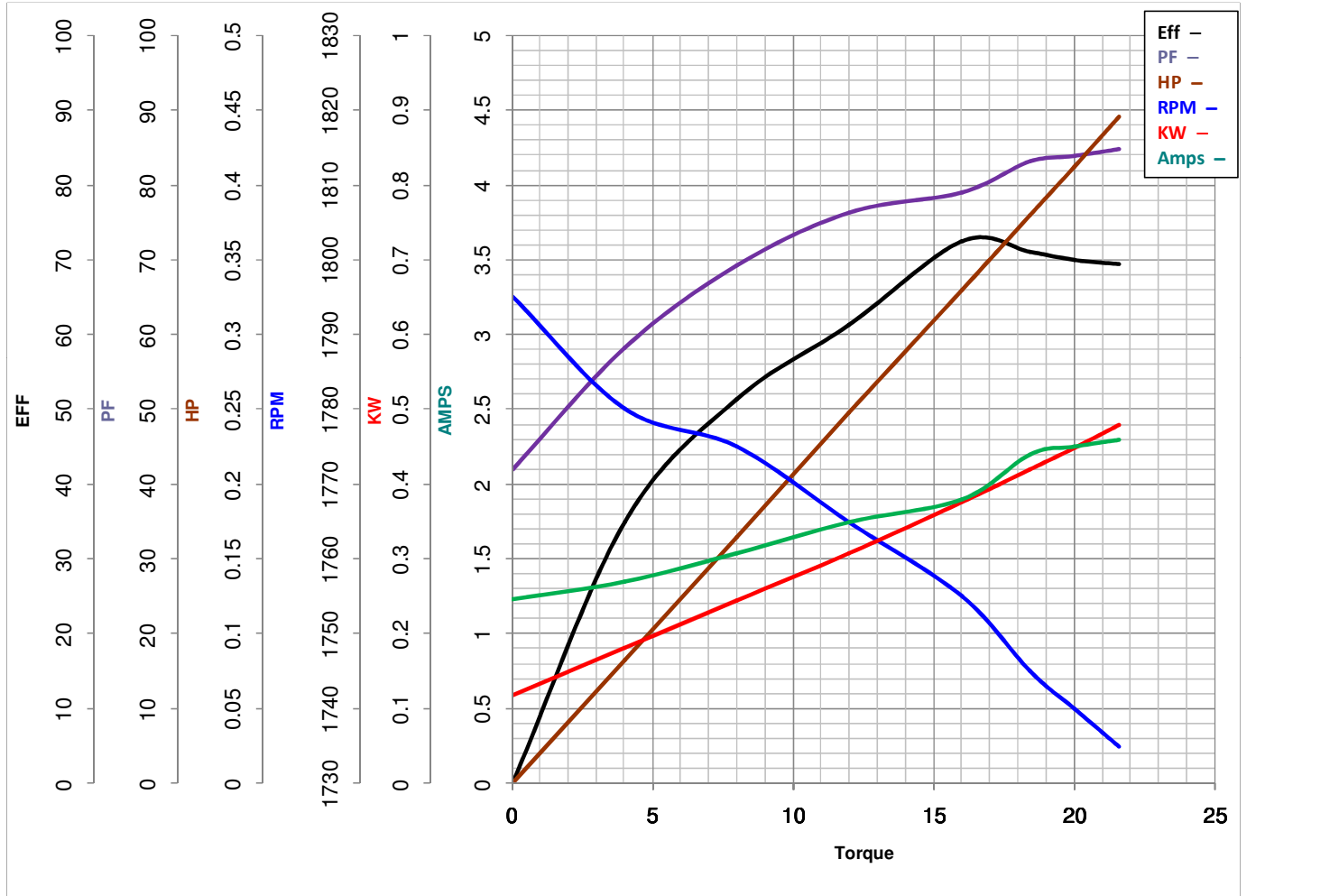
LEESON ELECTRIC CORPORATION
TYPICAL PERFORMANCE CURVE for AC MOTOR

Model No E100010.00

Curve at 230 Volts HP 0.34 PHASE 1
60 HZ
0.33 HP VOLTS 115/230

Catalog No E100010.00

HZ 60 RPM 1725



Torque in Oz.Ft

FL TORQUE 16 Oz.Ft
BD TORQUE 43.5 Oz.Ft
LR TORQUE 58 Oz.Ft

FL AMPS 3.8/1.9
PU TORQUE 58.0 Oz.Ft
LR AMPS 14.2

WINDING BE484111-3

Date 3/27/2018

EC Declaration of Conformity

The undersigned representing
the manufacturer:

Regal Beloit America
1946 West Cook Road
Fort Wayne, IN 46818

and the authorized representative
established within the Community:

Regal Beloit Italy
Via Modena, 18
24040 Ciserano(BG) - Italy

are committed to providing customers with products that comply with applicable regulations and international protocols to which they are subject, including the requirements of the European Parliament Directive on the Harmonization of the laws relating to electrical equipment designed for use within certain voltage limits (2014/35/EU).

Regal Beloit America declares that the following product(s), to which this declaration relates, are in conformity with the relevant sections of the EC standards listed below.

This statement supersedes any statements previously issued pertaining to the product(s) listed below and is subject to change without notice.

Model No : E100010.00

(Model No. may contain prefix and/or suffix characters)

Catalog No : E100010.00

Rework No : N/A

Directives :

Low Voltage Directive 2014/35/EU

Harmonized Standards Used :

EN 60034-1: 2010 (IEC 60034-1: 2010)

EN 60034-5: 2001/A1:2007 (IEC 60034-5: 2000/A1:2006)

Authorized Representative:



Zach Stauffer
Vice President, Engineering

Authorized Representative in the Community:



Stefano Casiraghi
Technology Director, Engineering

Created on 07/28/2025

CE 25