

PRODUCT INFORMATION PACKET



Model No: E100340.00
Catalog No: E100340.00
General Purpose Motor, 0.75 HP, 1 Ph, 60 Hz, 115/230 V, 3600 RPM, S56 Frame, DP



Regal and LEESON are trademarks of Regal Rexnord Corporation or one of its affiliated companies.
©2025 Regal Rexnord Corporation, All Rights Reserved. MC017097E



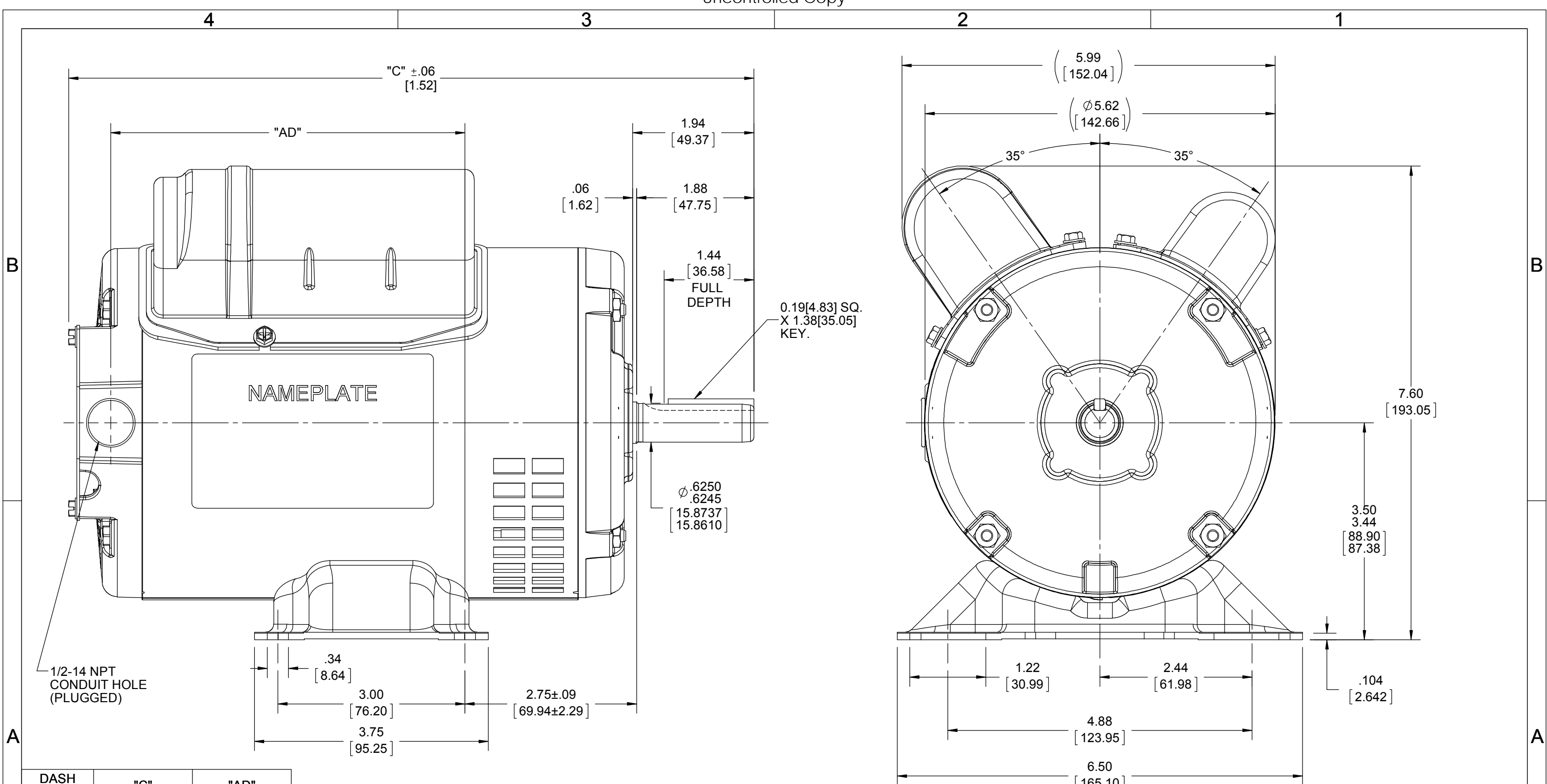


Nameplate Specifications

Phase	1	Output HP	0.75 Hp
Output KW	0.56 kW	Voltage	115/230 V
Speed	3450 rpm	Service Factor	1.25
Frame	S56	Enclosure	Drip Proof
Thermal Protection	No Protection	Efficiency	76.2 %
Ambient Temperature	40 °C	Frequency	60 Hz
Current	7.2/3.6 A	Power Factor	89.2
Duty	Continuous	Insulation Class	B
Design Code	N	KVA Code	K
Drive End Bearing Size	6203	Opp Drive End Bearing Size	6203
UL	Recognized	CSA	Y
CE	Y	IP Code	22
Number of Speeds	1		

Technical Specifications

Electrical Type	Capacitor Start Capacitor Run	Starting Method	Across The Line
Poles	2	Rotation	Selective Counterclockwise
Resistance Main	0 Ohms	Mounting	Rigid Base
Motor Orientation	Horizontal	Drive End Bearing	Ball
Opp Drive End Bearing	Ball	Frame Material	Rolled Steel
Shaft Type	NEMA 56	Overall Length	11.49 in
Frame Length	7.50 in	Shaft Diameter	0.625 in
Shaft Extension	1.875 in	Assembly/Box Mounting	F1 ONLY
Outline Drawing	SS404118-750	Connection Drawing	005054.15-REGAL



DASH NO.	"C"	"AD"
550	9.48[240.79]	4.18[106.17]
575	9.73[247.14]	4.43[112.52]
600	9.98[253.49]	4.68[118.87]
625	10.23[259.84]	4.93[125.22]
650	10.48[266.19]	5.18[131.57]
675	10.73[272.54]	5.43[137.92]
700	10.98[278.89]	5.68[144.27]
725	11.23[285.24]	5.93[150.62]
750	11.48[291.59]	6.18[156.97]
800	11.98[304.29]	6.68[169.67]

DRAWING REVISION F	REVISION BY S SAHOO	DATE 11/19/2018
ECO ECO-0160891	APPROVED BY S MACHARLA	DATE 01/29/2019
ECO DESCRIPTION OUTLINE CONVERSION PROJECT COPYRIGHT REGAL BELOIT AMERICA, INC. ALL RIGHTS RESERVED. PROPRIETARY AND CONFIDENTIAL INFORMATION - THIS DOCUMENT IS THE PROPERTY OF REGAL BELOIT AMERICA, INC. ("OWNER") AND CONTAINS OWNER'S PROPRIETARY INFORMATION. ANY PERSON, CORPORATION OR OTHER FIRM RECEIVING IT IS DEEMED, BY RECEIVING IT, TO AGREE THAT IT, AND/OR ANY PART OF IT, SHALL NOT BE DISCLOSED TO ANY PERSON, CORPORATION OR OTHER ENTITY, DUPLICATED, AND/OR USED, EXCEPT AS EXPRESSLY APPROVED IN WRITING IN ADVANCE BY OWNER. THIS DOCUMENT SHALL BE RETURNED TO OWNER UPON REQUEST. IT MAY BE SUBJECT TO CERTAIN RESTRICTIONS UNDER APPLICABLE EXPORT CONTROL LAWS AND REGULATIONS.		

TOLERANCES UNLESS OTHERWISE SPECIFIED:			
DEC.	INCH	mm	ANGLE
.X	±0.1	[±2.5]	±7° 30"
.XX	±0.03	[±0.76]	
.XXX	±0.005	[±0.127]	
.XXXX	±0.0005	[±0.0127]	
REMOVE BURRS & BREAK SHARP EDGES: .003/.015 [.076/.381] X 45° CORNER FILLETS: R.02 [.51] MACHINED SURFACES: 200 INCH/mm 5.1 mm SHOWN IN [BRACKETS]			

DRAWN BY PVR	REGAL™ Regal Beloit America, Inc.	
DATE 11/28/14	DESCRIPTION OUTLINE S56 FRAME RIGID MOUNT-DRIP PROOF	
APPROVED BY	MATERIAL	PROCESS/FINISH
DATE	SIZE B	DRAWING NUMBER SS404118
REFERENCE 031619	SHEET 1 OF 1	
THIRD ANGLE PROJECTION		

EC Declaration of Conformity

The undersigned representing
the manufacturer:

Regal Beloit America
1946 West Cook Road
Fort Wayne, IN 46818

and the authorized representative
established within the Community:

Regal Beloit Italy
Via Modena, 18
24040 Ciserano(BG) - Italy

are committed to providing customers with products that comply with applicable regulations and international protocols to which they are subject, including the requirements of the European Parliament Directive on the Harmonization of the laws relating to electrical equipment designed for use within certain voltage limits (2014/35/EU).

Regal Beloit America declares that the following product(s), to which this declaration relates, are in conformity with the relevant sections of the EC standards listed below.

This statement supersedes any statements previously issued pertaining to the product(s) listed below and is subject to change without notice.

Model No : E100340.00

(Model No. may contain prefix and/or suffix characters)

Catalog No : E100340.00

Rework No : N/A

Directives :

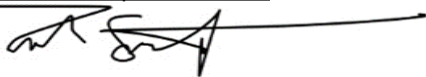
Low Voltage Directive 2014/35/EU

Harmonized Standards Used :

EN 60034-1: 2010 (IEC 60034-1: 2010)

EN 60034-5: 2001/A1:2007 (IEC 60034-5: 2000/A1:2006)

Authorized Representative:



Zach Stauffer
Vice President, Engineering

Authorized Representative in the Community:



Stefano Casiraghi
Technology Director, Engineering

Created on 07/28/2025

CE 25