

PRODUCT INFORMATION PACKET



Model No: E100603.00
Catalog No: E100603.00
General Purpose Motor, 0.75 HP, 1 Ph, 60 Hz, 115/230 V, 3600 RPM, S56 Frame, DP



Regal and LEESON are trademarks of Regal Rexnord Corporation or one of its affiliated companies.
©2025 Regal Rexnord Corporation, All Rights Reserved. MC017097E





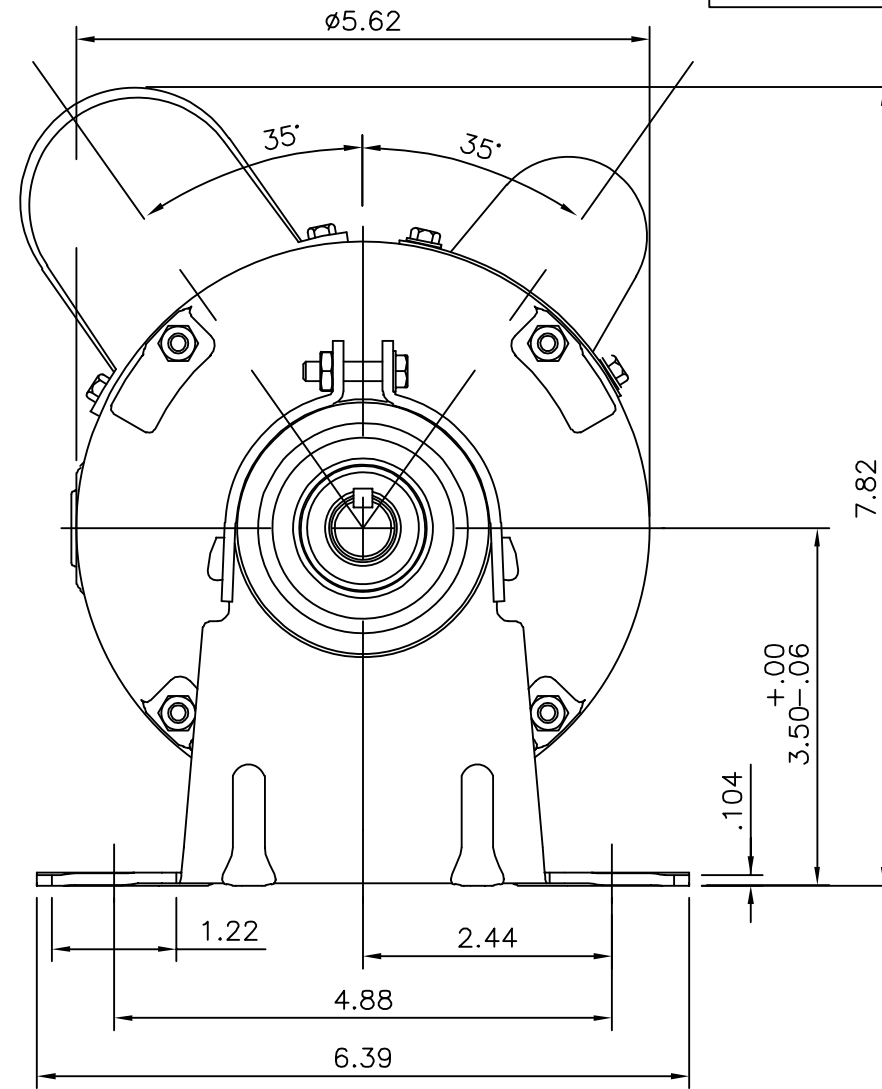
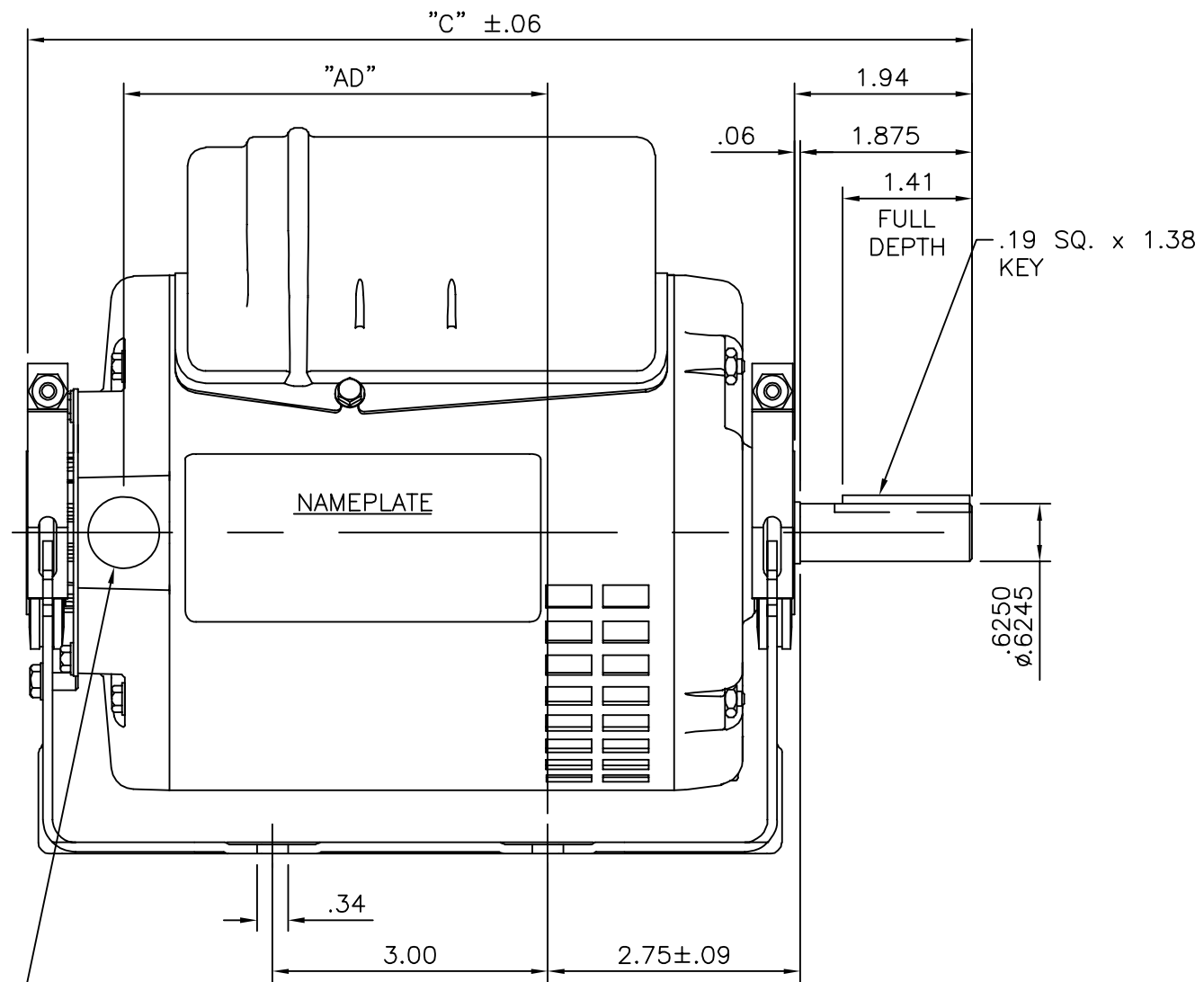
Nameplate Specifications

Phase	1	Output HP	0.75 Hp
Output KW	0.56 kW	Voltage	115/230 V
Speed	3515 rpm	Service Factor	1.25
Frame	S56	Enclosure	Drip Proof
Thermal Protection	Automatic	Efficiency	76.2 %
Ambient Temperature	40 °C	Frequency	60 Hz
Current	7.2/3.6 A	Power Factor	89.2
Duty	Continuous	Insulation Class	B
Design Code	N	KVA Code	K
Drive End Bearing Size	6203	Opp Drive End Bearing Size	6203
UL	Recognized	CSA	Y
CE	Y	IP Code	12
Number of Speeds	1		

Technical Specifications

Electrical Type	Capacitor Start Capacitor Run	Starting Method	Across The Line
Poles	2	Rotation	Selective Counterclockwise
Resistance Main	0 Ohms	Mounting	Resilient Base
Motor Orientation	Horizontal	Drive End Bearing	Ball
Opp Drive End Bearing	Ball	Frame Material	Rolled Steel
Shaft Type	NEMA 56	Overall Length	12.31 in
Frame Length	7.50 in	Shaft Diameter	0.625 in
Shaft Extension	1.875 in	Assembly/Box Mounting	F1 ONLY
Connection Drawing	005053.40	Outline Drawing	SS404125-750

SS404125



1/2-14 NPT
CONDUIT HOLE
(PLUGGED)

DASH NO.	"C"	"AD"
700	11.81	6.12
750	12.31	6.62

TOLERANCES
UNLESS SPECIFIED

DEC.	INCHES
.X	±.1
.XX	±.03
.XXX	±.005
.XXXX	±.0005
ANG	±7'30"



Regal Beloit America, Inc.

TITLE OUTLINE
S56 FRAME ROUND MOUNT - DRIP PROOF

MAT'L.

FINISH

DRAWN PVR 12/19/14

CHK VS 12/19/14

APPD

SCALE NTS

REF 031623

FMF

PREV

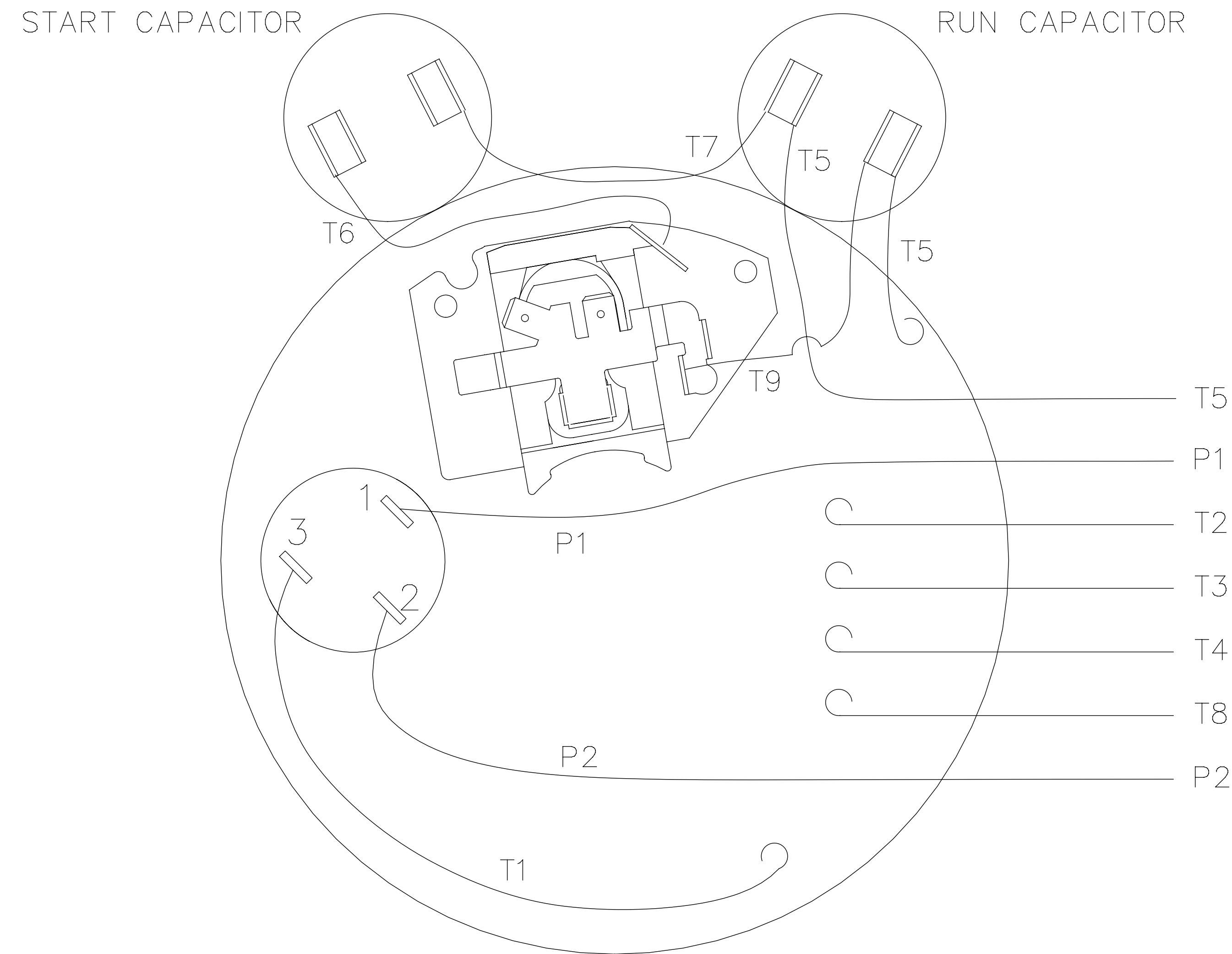
NO.	REVISION	BY & DATE	CHK	ANG	±7'30"	FINISH

THIS DRAWING IN DESIGN AND DETAIL IS OUR PROPERTY AND MUST NOT BE USED EXCEPT IN CONNECTION WITH OUR WORK ALL RIGHTS OF DESIGN AND INVENTION ARE RESERVED THIS IS AN ELECTRONICALLY GENERATED DOCUMENT - DO NOT SCALE THIS PRINT

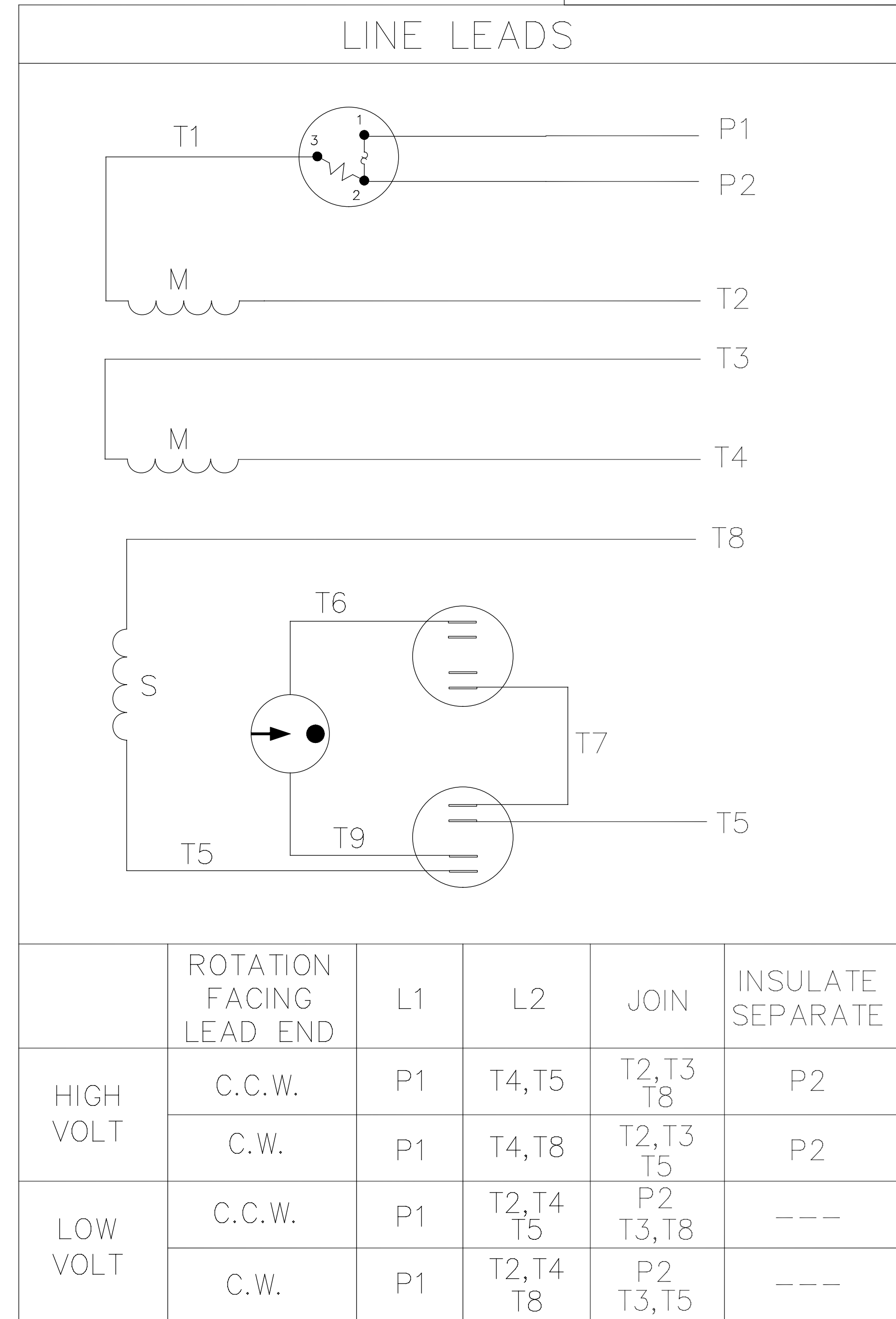
RFP	CAD FILE SS404125
DIST	WP

SIZE	DRAWING NO.	PAGE	1 OF 1	REV.
A	SS404125			

005053-40



VIEW FROM OUTSIDE OF MOTOR AT SWITCH END



		TOLERANCES UNLESS SPECIFIED			
		DEC.	INCHES		
		.X	±.1		
		.XX	±.01		
		.XXX	±.005		
A	CHANGED LOGO TO REGAL	PST	2/1/16	SKM	.XXXX ±.0005
NO.	REVISION	BY & DATE	CHK	ANG	±1/2"



TITLE: EXTERNAL WIRING DIAGRAM TYPE "K" W/PROTECTOR
 MAT'L: DUAL VOLTAGE - DUAL ROTATION

THIS DRAWING IN DESIGN AND DETAIL IS OUR PROPERTY AND MUST NOT BE USED EXCEPT IN CONNECTION WITH OUR WORK ALL RIGHTS OF DESIGN AND INVENTION ARE RESERVED THIS IS AN ELECTRONICALLY GENERATED DOCUMENT - DO NOT SCALE THIS PRINT		RFP	CAD FILE	00505340	SIZE	DRAWING NO.	REV.
		DIST			A	005053-40	A

EC Declaration of Conformity

The undersigned representing
the manufacturer:

Regal Beloit America
1946 West Cook Road
Fort Wayne, IN 46818

and the authorized representative
established within the Community:

Regal Beloit Italy
Via Modena, 18
24040 Ciserano(BG) - Italy

are committed to providing customers with products that comply with applicable regulations and international protocols to which they are subject, including the requirements of the European Parliament Directive on the Harmonization of the laws relating to electrical equipment designed for use within certain voltage limits (2014/35/EU).

Regal Beloit America declares that the following product(s), to which this declaration relates, are in conformity with the relevant sections of the EC standards listed below.

This statement supersedes any statements previously issued pertaining to the product(s) listed below and is subject to change without notice.

Model No : E100603.00

(Model No. may contain prefix and/or suffix characters)

Catalog No : E100603.00

Rework No : N/A

Directives :

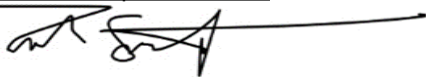
Low Voltage Directive 2014/35/EU

Harmonized Standards Used :

EN 60034-1: 2010 (IEC 60034-1: 2010)

EN 60034-5: 2001/A1:2007 (IEC 60034-5: 2000/A1:2006)

Authorized Representative:



Zach Stauffer
Vice President, Engineering

Authorized Representative in the Community:



Stefano Casiraghi
Technology Director, Engineering

Created on 07/28/2025

CE 25