

PRODUCT INFORMATION PACKET



Model No: E110388.00
Catalog No: E110388.00
ecoSaver™ General Purpose Motor, 1.50 HP, 1 Ph, 60 Hz, 115/230 V, 1800 RPM, 56C Frame, DP



Regal and LEESON are trademarks of Regal Rexnord Corporation or one of its affiliated companies.
©2025 Regal Rexnord Corporation, All Rights Reserved. MC017097E



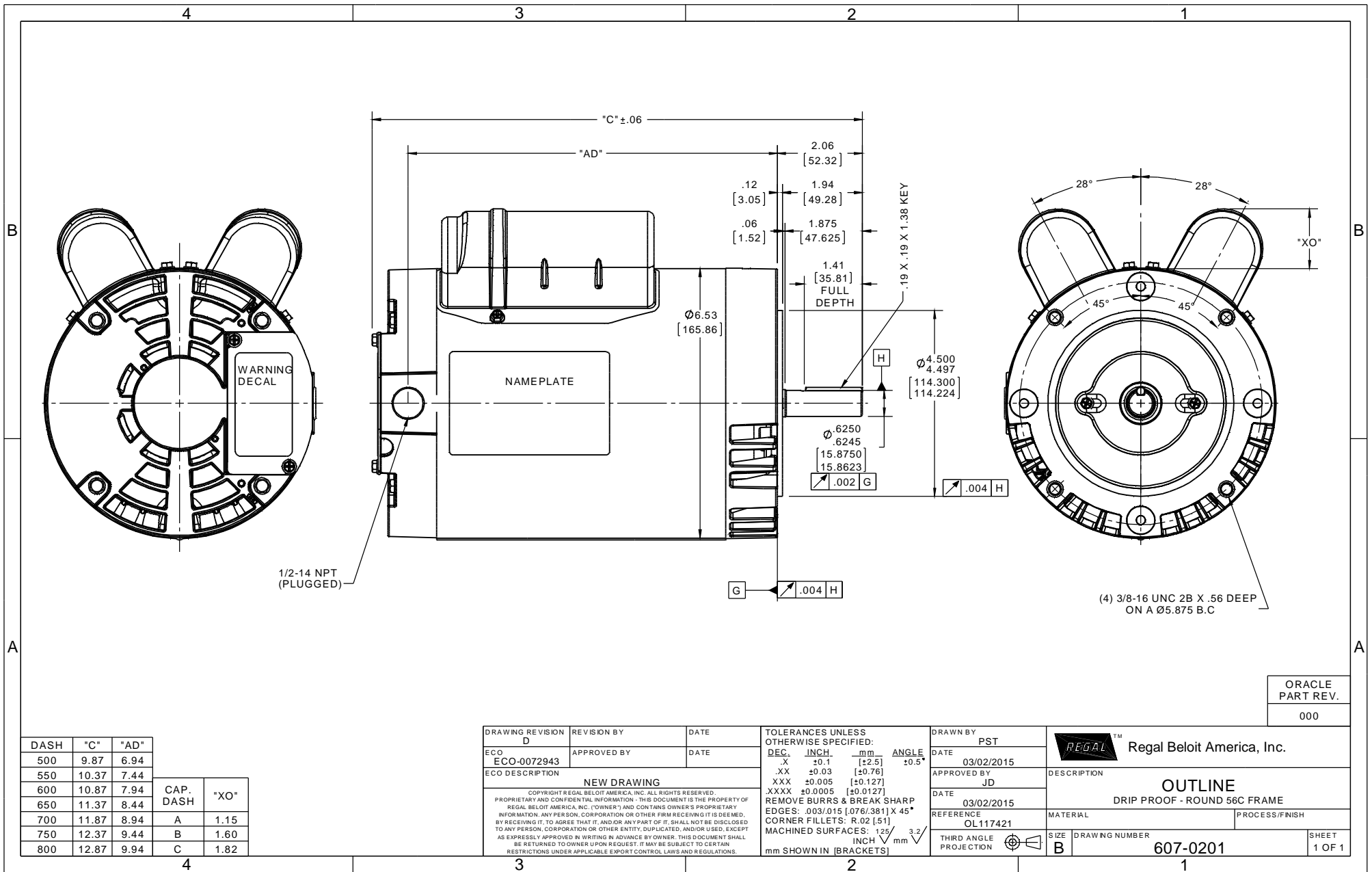


Nameplate Specifications

Phase	1	Output HP	1.50 Hp
Output KW	1.1 kW	Voltage	115/230 V
Speed	1725 rpm	Service Factor	1.15
Frame	56C	Enclosure	Drip Proof
Thermal Protection	No Protection	Efficiency	83.8 %
Ambient Temperature	40 °C	Frequency	60 Hz
Current	13.0/6.5 A	Power Factor	89
Duty	Continuous	Insulation Class	F
Design Code	L	KVA Code	J
Drive End Bearing Size	6203	Opp Drive End Bearing Size	6203
UL	Recognized	CSA	Y
CE	Y	IP Code	22
Number of Speeds	1		

Technical Specifications

Electrical Type	Capacitor Start Capacitor Run	Starting Method	Across The Line
Poles	4	Rotation	Selective Counterclockwise
Resistance Main	0 Ohms	Mounting	Round
Motor Orientation	Horizontal	Drive End Bearing	Ball
Opp Drive End Bearing	Ball	Frame Material	Rolled Steel
Shaft Type	NEMA 56	Overall Length	12.87 in
Frame Length	8.00 in	Shaft Diameter	0.625 in
Shaft Extension	1.88 in	Assembly/Box Mounting	F1 ONLY
Outline Drawing	607-0201-800B	Connection Drawing	005054.01



1/2-14 NPT (PLUGGED)

(4) 3/8-16 UNC 2B X .56 DEEP ON A Ø5.875 B.C

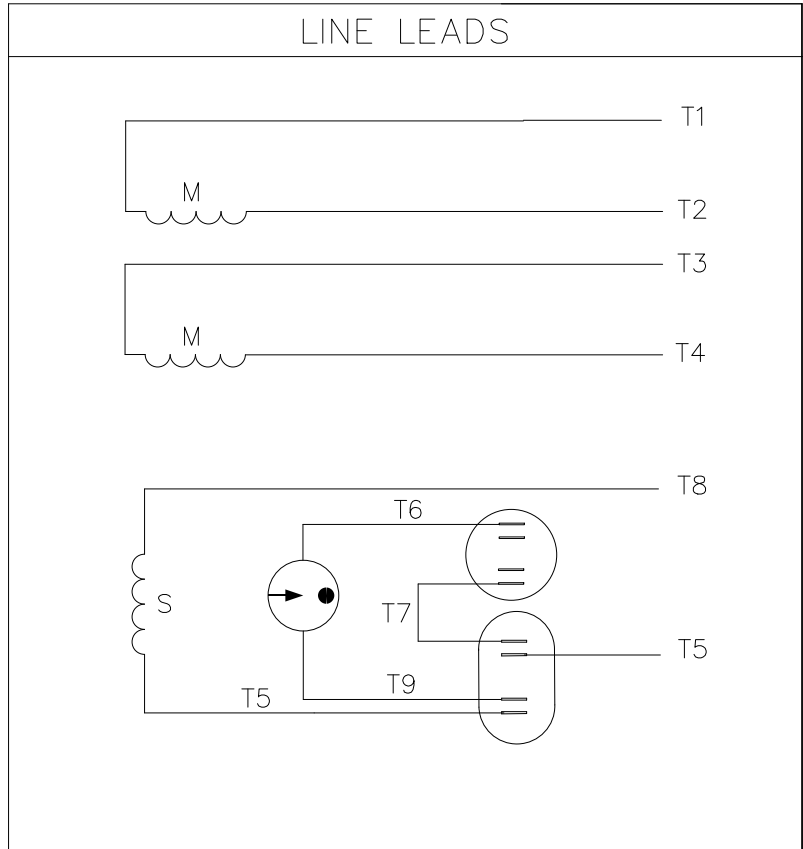
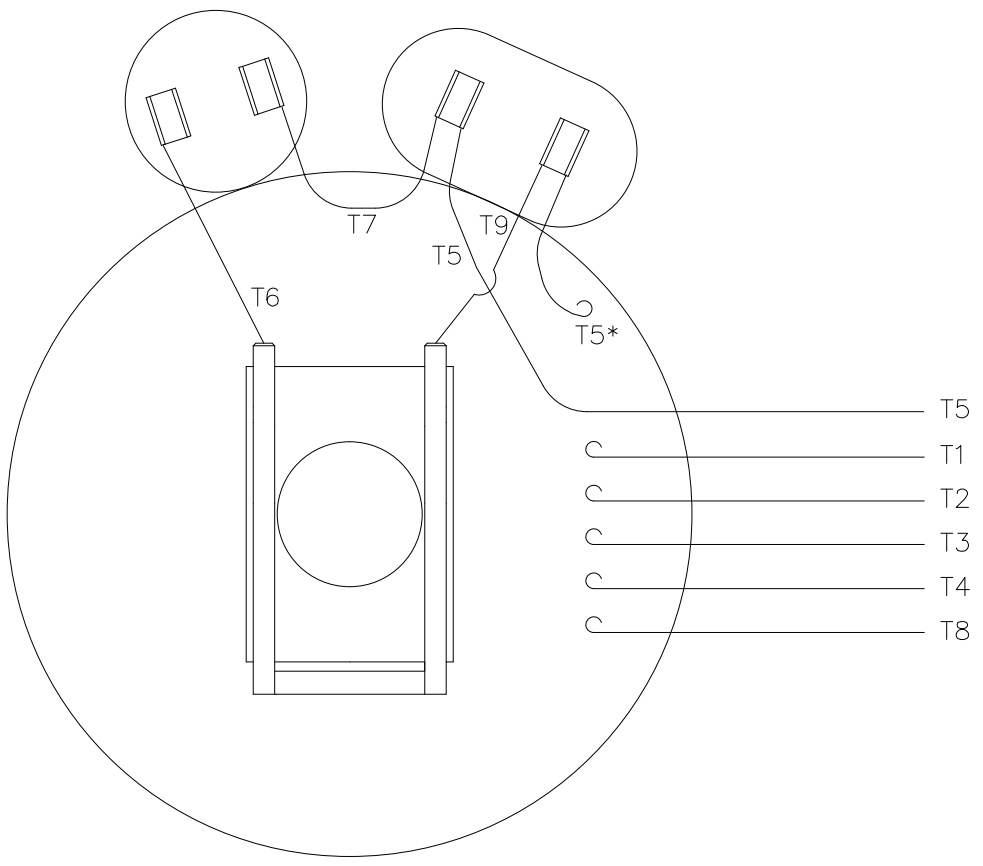
ORACLE PART REV. 000

DASH	"C"	"AD"	CAP. DASH	"XO"
500	9.87	6.94		
550	10.37	7.44		
600	10.87	7.94		
650	11.37	8.44	A	1.15
700	11.87	8.94	B	1.60
750	12.37	9.44	C	1.82
800	12.87	9.94		

DRAWING REVISION	REVISION BY	DATE	TOLERANCES UNLESS OTHERWISE SPECIFIED:
D			DEC. INCH. mm ANGLE
ECO-0072943	APPROVED BY	DATE	.X ±0.1 [±2.5] ±0.5°
NEW DRAWING			.XX ±0.03 [±0.76]
COPYRIGHT © REGAL BELOIT AMERICA, INC. ALL RIGHTS RESERVED. PROPRIETARY AND CONFIDENTIAL INFORMATION. THIS DOCUMENT IS THE PROPERTY OF REGAL BELOIT AMERICA, INC. (OWNER) AND CONTAINS OWNER'S PROPRIETARY INFORMATION. ANY PERSON, CORPORATION OR OTHER FIRM RECEIVING IT IS DEEMED, BY RECEIVING IT, TO AGREE THAT IT, AND/OR ANY PART OF IT, SHALL NOT BE DISCLOSED TO ANY PERSON, CORPORATION OR OTHER ENTITY, DUPLICATED, AND/OR USED, EXCEPT AS EXPRESSLY APPROVED IN WRITING IN ADVANCE BY OWNER. THIS DOCUMENT SHALL BE RETURNED TO OWNER UPON REQUEST. IT MAY BE SUBJECT TO CERTAIN RESTRICTIONS UNDER APPLICABLE EXPORT CONTROL LAWS AND REGULATIONS.			XXX ±0.005 [±0.127]
			XXXX ±0.0005 [±0.0127]
			REMOVE BURRS & BREAK SHARP EDGES: .003/.015 [0.076/.381] X 45°
			CORNER FILLETS: R.02 [51]
			MACHINED SURFACES: 125 INCH mm 3.2
			mm SHOWN IN [BRACKETS]

DRAWN BY	DATE	DESCRIPTION	PROCESS/FINISH
PST	03/02/2015	OUTLINE DRIP PROOF - ROUND 56C FRAME	
APPROVED BY	DATE	MATERIAL	REFERENCE
JD	03/02/2015		OL117421
THIRD ANGLE PROJECTION	SIZE	DRAWING NUMBER	SHEET
	B	607-0201	1 OF 1

VIEW FROM OUTSIDE OF MOTOR AT SWITCH END.



	ROTATION FACING LEAD END	L1	L2	JOIN
HIGH VOLT	C.C.W.	T1	T4 T5	T2,T3 T8
	C.W.	T1	T4 T8	T2,T3 T5
LOW VOLT	C.C.W.	T1 T3,T8	T2,T4 T5	
	C.W.	T1,T3 T5	T2,T4 T8	

* THIS LEAD MAY BE WHITE

NO.	REVISION	BY & DATE	CHK	TOLERANCES UNLESS SPECIFIED	
				DEC.	INCHES
12	CHG FROM LEESON TO RRX TEMPLATE AS PER ECR-0237142	KVDG 09/17/24	DS	.X	±.1
11	ALTERNATE T5 LEAD MARKING WAS RED	RLW 8/6/02		.XX	±.01
10	ADDED ALTERNATE T5 LEAD MARKING	RLW 6/5/02	KH	.XXX	±.005
09	REDRAWN TO CAD	DBT 05/28/97		.XXXX	±.0005
				ANG	±1/2*

Regal Rexnord Regal Beloit America, Inc.

DRAWN JRW 09/27/74
 CHK TEM
 APPD 10/11/74
 SCALE 1=1
 REF A-005053
 FMF W-K6343
 PREV

TITLE EXT. WIRING DIAGRAM
 TYPE "K" W/O PROTECTOR

MAT'L. DECAL-004012

FINISH



**1051 CHEYENNE AVE.
GRAFTON, WI 53024
PH. 262-377-8810**

CERTIFICATION DATA SHEET

CONN. DIAGRAM: 005054.01

CATALOG #: E110388.00

OUTLINE: 607-0201-800B

MOUNTING: F1 ONLY

WINDING #: K634339 DR 3 A

TYPICAL MOTOR PERFORMANCE DATA

HP	kW	SYNC. RPM	F.L. RPM	FRAME	ENCLOSURE	KVA CODE	DESIGN
1 1/2	1.12	1800	1725	56C	DP	J	L

PH	Hz	VOLTS	AMPS	START TYPE	DUTY	INSL	S.F.	AMB°C
1	60	115/230	13/6.5	ACROSS THE LINE	CONTINUOUS	F4	1.15	40

FULL LOAD EFF:	83.8	3/4 LOAD EFF:	83.4	1/2 LOAD EFF:	82.5	GTD. EFF		ELEC. TYPE	
FULL LOAD PF:	89	3/4 LOAD PF:	88.3	1/2 LOAD PF:	80.5	81.5		CAP START CAP RUN	

F.L. TORQUE	LOCKED ROTOR AMPS	L.R. TORQUE	B.D. TORQUE	F.L. RISE°C
4.5 LB-FT	94.4 / 47.2	12.43 LB-FT 276 %	13.26 LB-FT 295 %	69.9

SOUND PRESSURE @ 3 FT.	SOUND POWER	ROTOR WK^2	MAX. WK^2	SAFE STALL TIME	STARTS / HOUR	APPROX. MOTOR WGT
0 dBA	10 dBA	0.14 LB-FT^2	0 LB-FT^2	0 SEC.	0	39 LBS.

***** SUPPLEMENTAL INFORMATION *****

DE BRACKET TYPE	ODE BRACKET TYPE	MOUNT TYPE	ORIENTATION	SEVERE DUTY	HAZARDOUS LOCATION	DRIP COVER	SCREENS	PAINT
C-FACE	STANDARD	ROUND	HORIZONTAL	FALSE	NONE	FALSE	NONE	GREEN - LEESON WATTSAVER

BEARINGS		GREASE	SHAFT TYPE	SPECIAL DE	SPECIAL ODE	SHAFT MATERIAL	FRAME MATERIAL
DE	ODE						
BALL	BALL	POLYREX EM	STANDARD 56	NONE	NONE	1144 STRESSPROOF (C-223)	ROLLED STEEL
6203	6203						

THERMO-PROTECTORS				THERMISTORS	CONTROL	SPACE HEATERS
THERMOSTATS	PROTECTORS	WDG RTDs	BRG RTDs			
NONE	NOT	NONE	NONE	NONE	FALSE	NONE VOLTS

*
N
O
T
E
S

INVERTER TORQUE: NONE
INV. HP SPEED RANGE: NONE
ENCODER: NONE
NONE NONE
NONE NONE PPR
BRAKE: NONE NONE
NONE P/N NONE
NONE NONE
NONE FT-LB NONE V NONE HZ



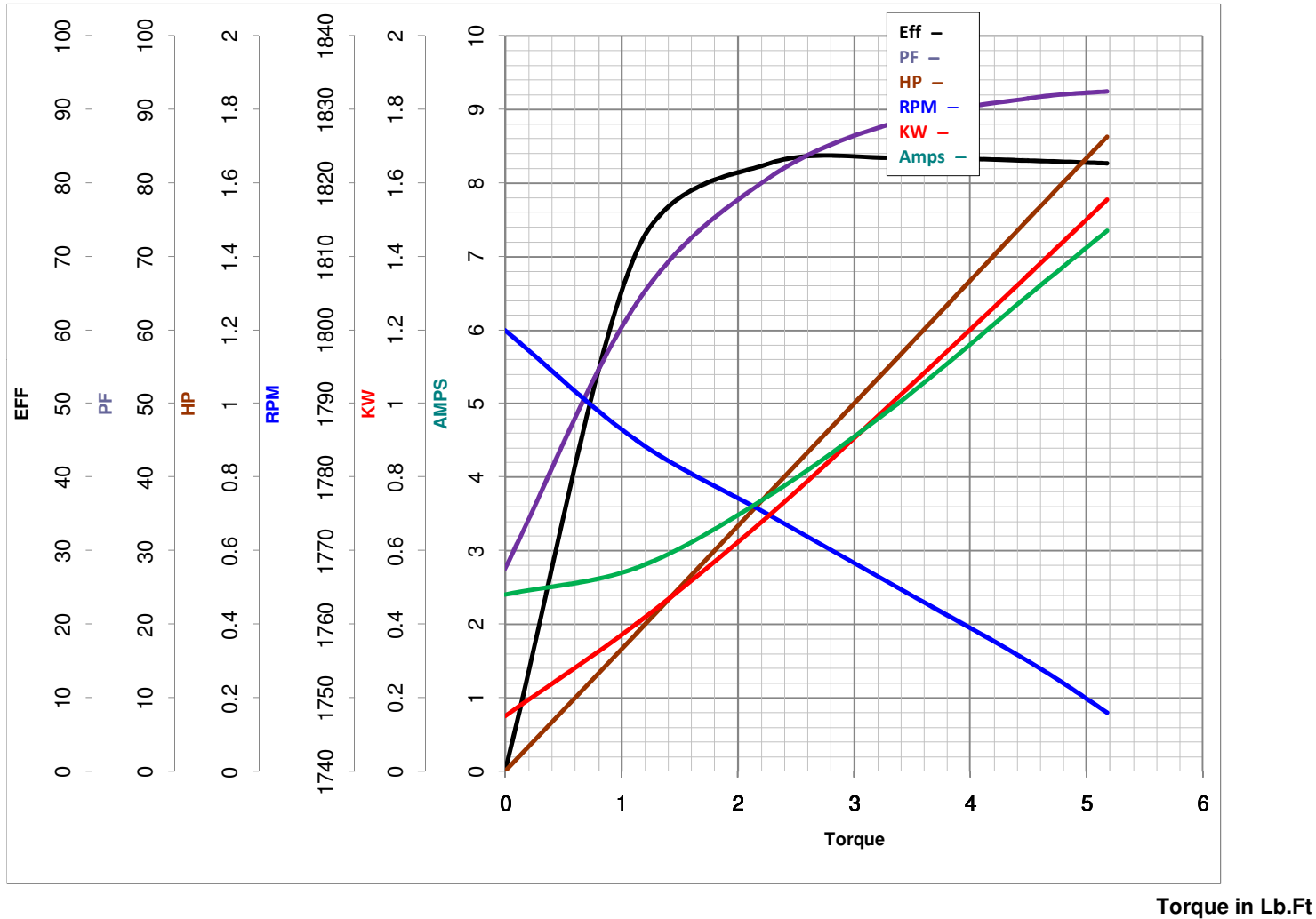
LEESON ELECTRIC CORPORATION
 TYPICAL PERFORMANCE CURVE for AC MOTOR

Model No E110388.00

Curve at 230 Volts HP 1.50 PHASE 1
60 HZ
1.5 HP VOLTS 115/230

Catalog No E110388.00

HZ 60 RPM 1725



FL TORQUE 4.5 Lb.Ft
 BD TORQUE 13.3 Lb.Ft
 LR TORQUE 12.43 Lb.Ft

FL AMPS 13/6.5
 PU TORQUE 11.2 Lb.Ft
 LR AMPS 47.2

WINDING K634339-3

Date 4/23/2018

EC Declaration of Conformity

The undersigned representing
the manufacturer:

Regal Beloit America
1946 West Cook Road
Fort Wayne, IN 46818

and the authorized representative
established within the Community:

Regal Beloit Italy
Via Modena, 18
24040 Ciserano(BG) - Italy

are committed to providing customers with products that comply with applicable regulations and international protocols to which they are subject, including the requirements of the European Parliament Directive on the Harmonization of the laws relating to electrical equipment designed for use within certain voltage limits (2014/35/EU).

Regal Beloit America declares that the following product(s), to which this declaration relates, are in conformity with the relevant sections of the EC standards listed below.

This statement supersedes any statements previously issued pertaining to the product(s) listed below and is subject to change without notice.

Model No : E110388.00

(Model No. may contain prefix and/or suffix characters)

Catalog No : E110388.00

Rework No : N/A

Directives :

Low Voltage Directive 2014/35/EU

Harmonized Standards Used :

EN 60034-1: 2010 (IEC 60034-1: 2010)

EN 60034-5: 2001/A1:2007 (IEC 60034-5: 2000/A1:2006)

Authorized Representative:



Zach Stauffer
Vice President, Engineering

Authorized Representative in the Community:



Stefano Casiraghi
Technology Director, Engineering

Created on 07/28/2025

CE 25