

PRODUCT INFORMATION PACKET



Model No: EM3589
Catalog No: EM3589

PRO-E SERIES® Fan and Blower Motor, 3/4 HP, 1 Ph, 60 Hz, 115 V, 1075 RPM, 3 Speed, 48 Frame, OPEN



Regal and Century are trademarks of Regal Rexnord Corporation or one of its affiliated companies.
©2024 Regal Rexnord Corporation, All Rights Reserved. MC017097E





Nameplate Specifications

Phase	1	Output HP	3/4 Hp
Output KW	0.56 kW	Voltage	115 V
Speed	1075 rpm	Service Factor	1
Frame	48Y	Enclosure	Open Enclosed
Thermal Protection	Automatic	Ambient Temperature	40 °C
Frequency	60 Hz	Current	10.2-7.3-4.5 A
Duty	Air Over	Insulation Class	B
UL	Recognized	CSA	Y
CE	N	Number of Speeds	3

Technical Specifications

Electrical Type	Permanent Split Capacitor	Starting Method	Across The Line
Poles	6	Rotation	Reversible
Mounting	Extended Studs	Motor Orientation	Horizontal
Drive End Bearing	Ball	Opp Drive End Bearing	Ball
Frame Material	Rolled Steel	Shaft Type	Flat
Overall Length	10.36 in	Frame Length	4.75 in
Shaft Diameter	0.500 in	Shaft Extension	4.0 in
Outline Drawing	EM3589-S01		

This is an uncontrolled document once printed or downloaded and is subject to change without notice. Date Created:07/03/2024

GENERAL INFORMATION:

SHAFT RUNOUT: .001 [.025] T.I.R. PER INCH LENGTH OF EXTENSION

BEARINGS: BALL

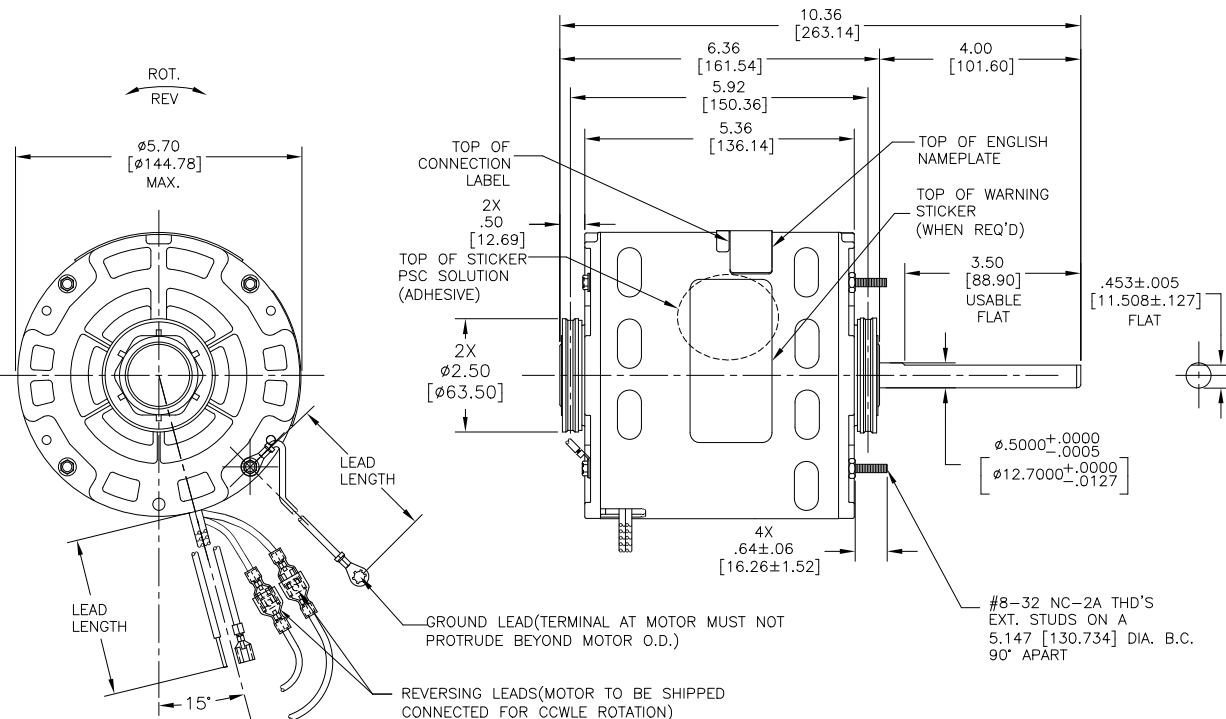
MOUNTING POSITION: HORIZONTAL

ELECTRICAL DATA:

OVERLOAD PROTECTOR: AUTOMATIC RESET (T.I. 7AM 036)

LEADS: NO. 18 GA., .03 [.76] THK.,XLP 125°C INSUL.

GROUND LEADS: NO. 18 GA., .03 [.76] THK.,(GREEN)INSUL.



NAMEPLATE DATA:	EXTERNAL CONNECTION DIAGRAM
MODEL: F48AD26A01 CUST. P/N: EM3589 HP: 3/4 ROT: REVERSIBLE RPM: 1075/3 SPD TYPE: UF FRAME: 48Y VOLTS: 115V PH: 1 AMPS: 10.2-6.0-4.5 HZ: 60 INS: B AMB: 40 °C DUTY: AIR OVER CODE: - CAP.: 15MFD/370V ENCL: OPEN UL LOGO & FILE NO. CSA LOGO & FILE NO. THERMALLY PROTECTED	

PERFORMANCE CURVE NO.	TORQUE @ 1075 RPM (25°C)	APPROVED SAMPLE	UL COMPONENT			
			FILE #	CCN #	FILE #	CLASS #
C0001024	67.7 OZ. FT.	OER-00111734C	E46412	PRGY2	LR43341	4211-01

GREEN (GRD)	9/11 [229/279]	#10 EYELET
PURPLE (REV)	4/6 [102/152]	.25[6.35] PER-INSUL. MALE TAB
PURPLE (REV)	4/6 [102/152]	.25[6.35] PER-INSUL. FEMALE SPADE
YELLOW (REV)	4/6 [102/152]	.25[6.35] PER-INSUL. MALE TAB
YELLOW (REV)	4/6 [102/152]	.25[6.35] PER-INSUL. FEMALE SPADE
BROWN	25/27 [635/686]	.25[6.35] FEMALE SPADE
BROWN/WHITE	25/27 [635/686]	.25[6.35] FEMALE SPADE
WHITE	25/27 [635/686]	.60[15.24] SKIN
BLACK	25/27 [635/686]	.60[15.24] SKIN
BLUE	25/27 [635/686]	.60[15.24] SKIN
RED	25/27 [635/686]	.60[15.24] SKIN
COLOR	LENGTH	TERMINAL OR STRIP LENGTH

LEAD DATA			
CRITICAL TO QUALITY CHARACTERISTICS(CTQs)	DRAWING REVISION	REVISION BY	DATE
(P) PROCESS	G	GELINE,ZHAO	06-26-2024
(E) ENGINEERING	ECO	APPROVED BY	DATE
(A) APPLICATION	ECR-0235166	DEXIAN,LI	06-26-2024
(R) REGULATORY	ECO DESCRIPTION		
(L) LIFE	SEE ECR		

NOTES:
 1. RoHS & REACH ETC REQUIREMENT SEE EPO00014
 2. CTQ REQUIREMENT SEE EPO00105-008

REGAL-BELOIT CORPORATION (RBC) PROVIDES TECHNICAL ASSISTANCE TO OUR CUSTOMERS IN SEVERAL AREAS. SINCE RBC DOES NOT RECEIVE ALL DATA CONCERNING THE USE AND APPLICATION OF THE MOTOR, THE SUITABILITY OF THE MOTOR FOR THE APPLICATION MUST BE DETERMINED BY THE CUSTOMER.

DIMENSIONS WITHOUT TOLERANCES ARE FOR REFERENCE ONLY.

MAIN FRAME - OLE	OPEN
END FRAME - OLE	OPEN
MAIN FRAME - LE	OPEN
END FRAME - LE	OPEN

CUSTOMER Pro-Series

ENCLOSURE	
DRAWN BY: GELINE,ZHAO	DATE: 01-17-2018
APPROVED BY: CADDIE,ZHOU	DATE: 01-17-2018
REFERENCE	MATERIAL
THIRD ANGLE PROJECTION	SIZE DWG NO
	EM3589

REGAL-BELOIT America, Inc.	
MODEL-RFHP-48FR OUTLINE	
PROCESS/FINISH	
SHEET 1	