

PRODUCT INFORMATION PACKET



Model No: F1026
Catalog No: F1026

Condenser Fan Motor, 1/4 HP, 1 Ph, 60 Hz, 208-230 V, 1075/750 RPM, 2 Speed, 48 Frame, SEMI ENCL



Regal and Century are trademarks of Regal Rexnord Corporation or one of its affiliated companies.
©2025 Regal Rexnord Corporation, All Rights Reserved. MC017097E





Nameplate Specifications

Phase	1	Output HP	1/4 Hp
Output KW	0.19 kW	Voltage	208-230 V
Speed	1075/750 rpm	Service Factor	1.0
Frame	48Y	Enclosure	Semi Enclosed
Thermal Protection	Automatic	Ambient Temperature	60 °C
Frequency	60 Hz	Current	1.4 A
Duty	Air Over	Insulation Class	B
UL	Recognized	CSA	Y
CE	N	Number of Speeds	2

Technical Specifications

Electrical Type	Permanent Split Capacitor	Starting Method	Across The Line
Poles	6	Rotation	Reversible
Mounting	Extended Studs	Motor Orientation	Any
Drive End Bearing	Ball	Opp Drive End Bearing	Ball
Frame Material	Rolled Steel	Shaft Type	Flat
Overall Length	10.99 in	Frame Length	3.50 in
Shaft Diameter	0.500 in	Shaft Extension	6.4 in
Connection Drawing	614131-115	Outline Drawing	F1026-S01

This is an uncontrolled document once printed or downloaded and is subject to change without notice. Date Created:02/10/2025

4

3

2

1

REV	ECO	REV BY	DATE	APPD	DATE
F	0024317	Y.LIU	03-12-2012	B.SHEN	03-12-2012

GENERAL INFORMATION:

SHAFT RUNOUT: .001[.03] T.I.R. PER INCH LENGTH OF EXTENSION.

BEARINGS: BALL

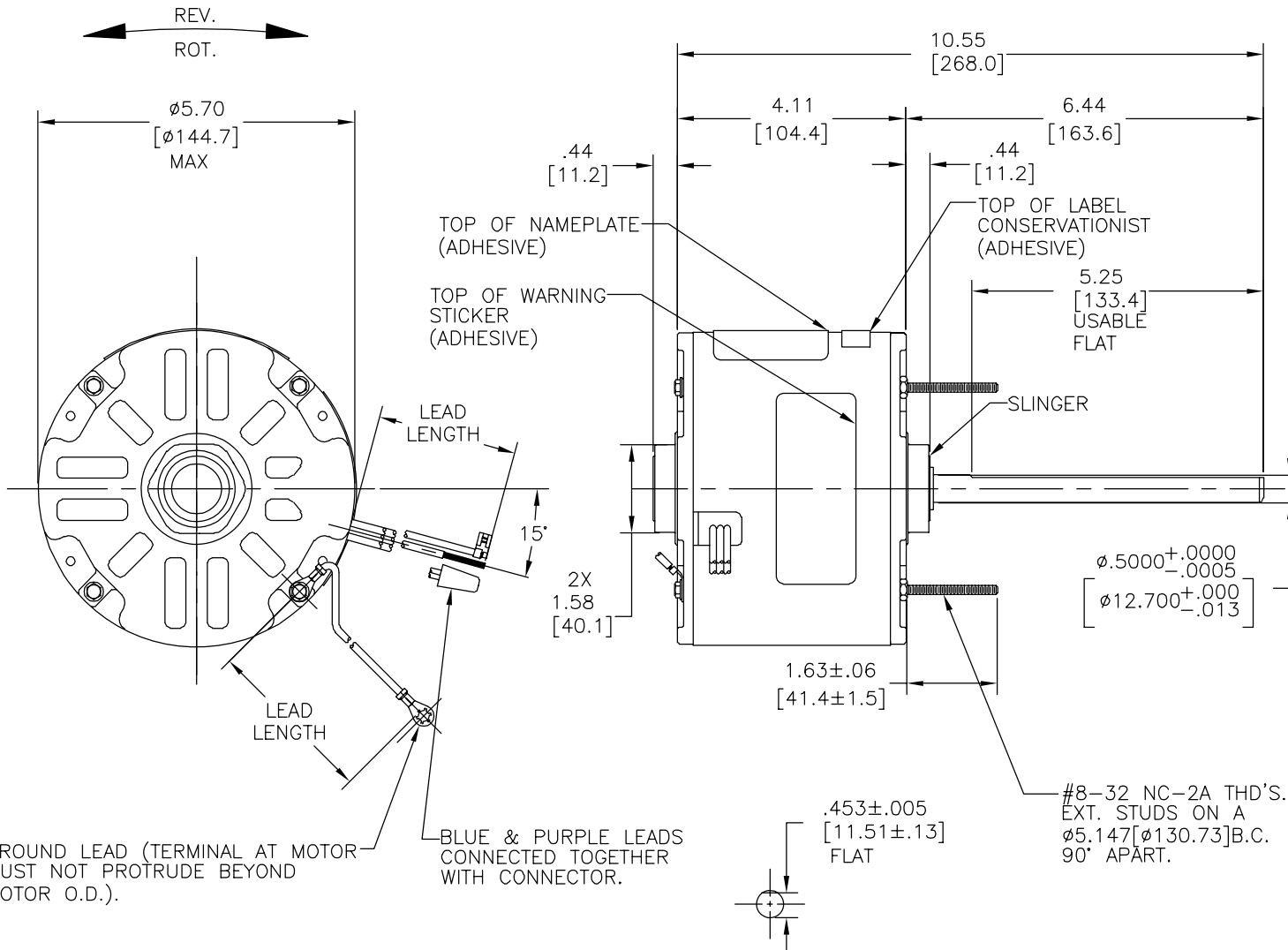
MOUNTING POSITION: HORIZONTAL

ELECTRICAL DATA:

OVERLOAD PROTECTOR: AUTOMATIC RESET (T.I. 7AM 036)

LEADS: NO. 18 GA., .06[1.5] THK. XLP 125°C INSUL.

GROUND LEAD: NO. 18 GA., .03[.8] THK., (GREEN) INSUL.



GROUND LEAD (TERMINAL AT MOTOR) MUST NOT PROTRUDE BEYOND MOTOR O.D.).

BLUE & PURPLE LEADS CONNECTED TOGETHER WITH CONNECTOR.

#8-32 NC-2A THD'S. EXT. STUDS ON A ø5.147[ø130.73]B.C. 90° APART.

GREEN(GRD)	12.0/13.0 [305/330]	#10 EYELET
BROWN	26.0/28.0 [660/711]	.25[6.4] FLAT
YELLOW	26.0/28.0 [660/711]	.75[19.1] SKIN
BLACK	26.0/28.0 [660/711]	.75[19.1] SKIN
RED	26.0/28.0 [660/711]	.75[19.1] SKIN
PURPLE	26.0/28.0 [660/711]	.75[19.1] SKIN
BLUE	26.0/28.0 [660/711]	.75[19.1] SKIN
COLOR	LENGTH	TERMINAL OR STRIP LENGTH

MAIN FRAME - OLE	ENCLOSED
END FRAME - OLE	ENCLOSED
MAIN FRAME - LE	ENCLOSED
END FRAME - LE	OPEN

CUSTOMER	DISTRIBUTION SERVICE
----------	----------------------

NAMEPLATE DATA:	EXTERNAL CONNECTION DIAGRAM
MODEL NO.: F48SG6V5 CUST. P/N: F1026 HP: 1/4 ROT.: REVERSIBLE RPM: 1075/750 TYPE: UF FRAME: 48Y VOLTS: 208-230 PH: 1 AMPS: 1.4(2.0) MAX HZ: 60 INS.: B AMB.: 60° C DUTY: AIR OVER CAP.: ENCLOSED ENCL: 5MFD/370V UL LOGO CSA LOGO THERMALLY PROTECTED	<p>SHOWN FOR CCWLE ROT. FOR CWLE ROT. INTERCHANGE BLUE AND BROWN LEADS.</p>

PERFORMANCE CURVE NO.	TORQUE @ 1075 RPM (25°C)	APPROVED SAMPLE	UL COMPONENT FILE #	CCN #	CSA FILE #	CLASS #
C22787	25.8 OZ. FT.	EX11127	E46412	PRGY2	LR43341	4211-01

GEOMETRIC CHARACTERISTICS & SYMBOLS
 □ FLATNESS
 — STRAIGHTNESS
 ∠ ANGULARITY
 ⊥ PERPENDICULARITY (SQUARENESS)
 ∥ PARALLELISM
 ○ ROUNDNESS (CIRCULARITY)
 ⌀ CYLINDRICITY
 △ PROFILE OF ANY SURFACE
 ∩ PROFILE OF ANY LINE
 ↗ RUNOUT
 ⊕ TRUE POSITION
 ⊙ CONCENTRICITY
 = SYMMETRY
 ASME Y14.5M 1994

REGAL-BELOIT CORPORATION (RBC) PROVIDES TECHNICAL ASSISTANCE TO OUR CUSTOMERS IN SEVERAL AREAS. SINCE RBC DOES NOT RECEIVE ALL DATA CONCERNING THE USE AND APPLICATION OF THE MOTOR, THE SUITABILITY OF THE MOTOR FOR THE APPLICATION MUST BE DETERMINED BY THE CUSTOMER.

DIMENSIONS WITHOUT TOLERANCES ARE FOR REFERENCE ONLY.

DR BY:	Y.LIU	03-12-2012
APPD:	B.SHEN	03-12-2012
THIRD ANGLE PROJECTION		
EDS DATE	11-11-2011	
FORMAT REV	G	

CONFIDENTIAL: THIS DRAWING AND ITS INFORMATION ARE THE EXCLUSIVE AND CONFIDENTIAL PROPERTY OF REGAL-BELOIT CORPORATION AND ARE NOT TO BE DISCLOSED, DUPLICATED, DISTRIBUTED OR OTHERWISE USED WITHOUT THE WRITTEN CONSENT OF REGAL-BELOIT CORPORATION. -ALL RIGHTS RESERVED.

DESCRIPTION	
MODEL-RFHP-48FR OUTLINE	
SIZE	DWG NO
C	F1026
SCALE	SHEET
NONE	1

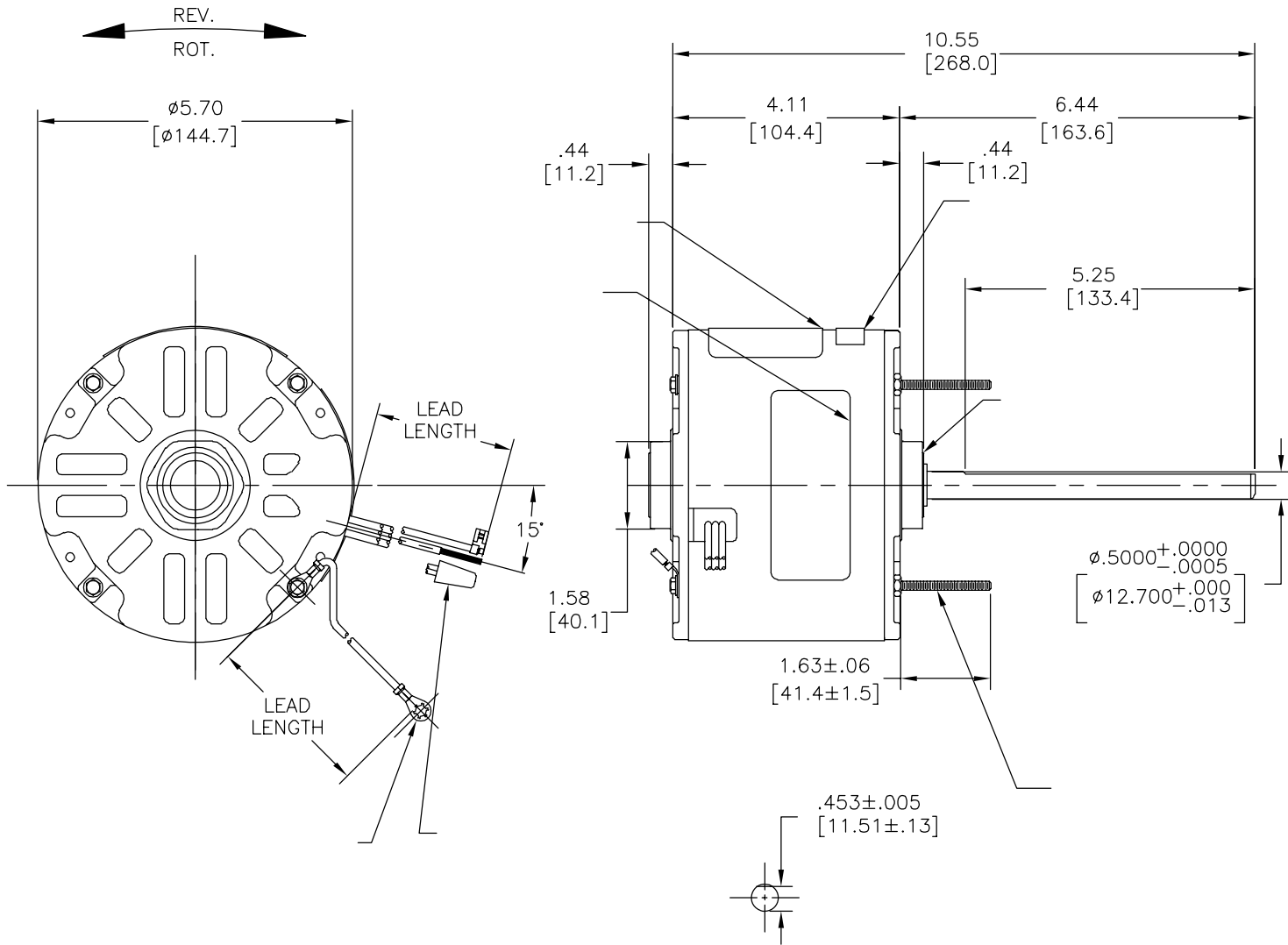
4

3

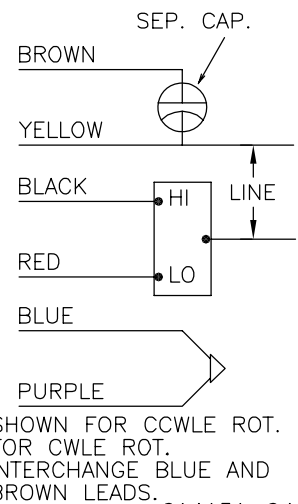
2

1

REVISION:	ECO	REVISADO POR:	FECHA:	APROBADO POR:	FECHA:
F	0024317	Y.LIU	03-12-2012	B.SHEN	03-12-2012



MODEL NO.: F48SG6V5
 CUST. P/N: F1026
 HP: 1/4
 ROT.: REVERSIBLE
 RPM: 1075/750
 TYPE: UF
 FRAME: 48Y
 VOLTS: 208-230
 PH: 1
 AMPS: 1.4(2.0) MAX
 HZ: 60
 INS.: B
 AMB.: 60° C
 DUTY: AIR OVER
 CAP.: ENCLOSED
 ENCL: 5MFD/370V
 UL LOGO
 CSA LOGO
 THERMALLY PROTECTED



	12.0/13.0	
	[305/330]	
	26.0/28.0	
	[660/711]	
	26.0/28.0	
	[660/711]	
	26.0/28.0	
	[660/711]	
	26.0/28.0	
	[660/711]	
	26.0/28.0	
	[660/711]	
	26.0/28.0	
	[660/711]	

C22787	25.8 OZ. FT.	EX11127	E46412	PRGY2	LR43341	4211-01
--------	--------------	---------	--------	-------	---------	---------

DISTRIBUTION SERVICE

CARACTERISTICAS DE GEOMETRIA Y SIMBOLOS

- PLANICIDAD
- RECTITUD
- ∠ ANGULARIDAD
- ⊥ PERPENDICULARIDAD (A ESCUADRA)
- // PARALELISMO
- REDONDEZ (CIRCULARIDAD)
- ⊘ CILINDRICIDAD
- △ PERFIL DE CUALQUIER SUPERFICIE
- ▽ PERFIL DE CUALQUIER LINEA
- ∧ VARIACION
- ⊕ POSICION REAL
- ◎ CONCENTRICIDAD
- = SIMETRIA

ASME Y14.5M 1994

REGAL-BELOIT CORPORATION (RBC) PROVEE ASISTENCIA TECNICA A NUESTROS CLIENTES EN VARIAS AREAS. DESDE QUE RBC NO RECIBE TODOS LOS DATOS EN RELACION AL USO Y A LA APLICACION DEL MOTOR, LA APLICACION ADECUADA DEL MOTOR DEBE SER DETERMINADA POR EL CLIENTE.

DIMENSIONES SIN TOLERANCIA SON DE REFERENCIA SOLAMENTE

DIBUJADO POR: Y.LIU 03-12-2012

APROBADO POR: B.SHEN 03-12-2012

TERCER ANGULO DE PROYECCION

FECHA EDS: 11-11-2011

REV. FORMATO: G

CONFIDENCIAL: ESTE DIBUJO Y SU INFORMACION SON PROPIEDAD DE USO EXCLUSIVO Y CONFIDENCIAL DE REGAL-BELOIT CORPORATION. Y NO DEBERAN SER REVELADOS, DUPLICADOS, DISTRIBUIDOS O USARSE DE OTRA MANERA SIN EL CONSENTIMIENTO ESCRITO DE REGAL-BELOIT CORPORATION. -TODOS LOS DERECHOS RESERVADOS.

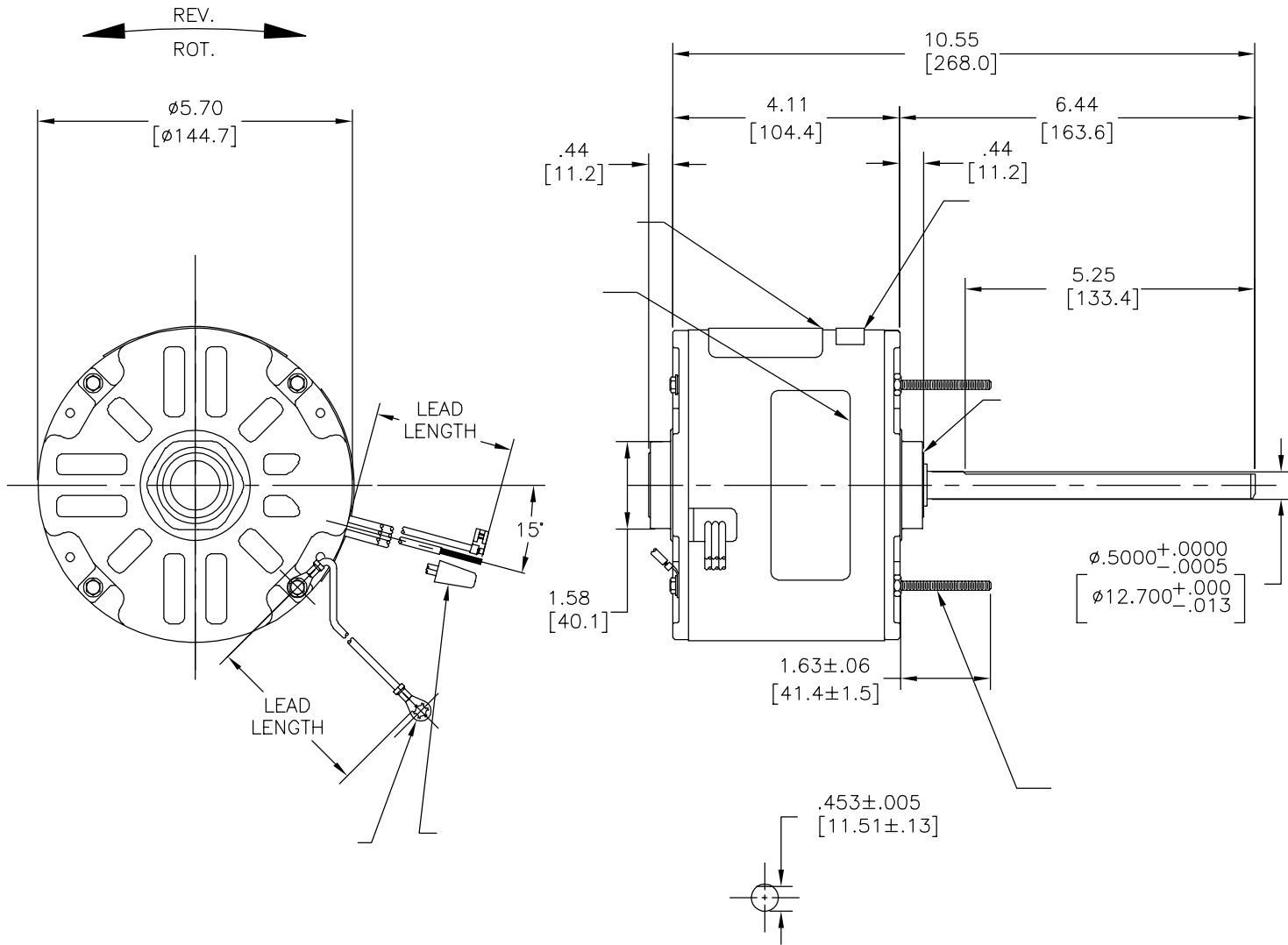


DESCRIPCION: MODEL-RFHP-48FR OUTLINE

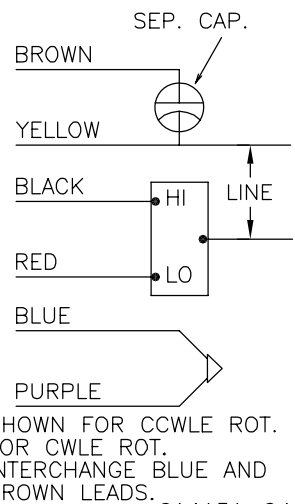
TAMAÑO: C NUMERO DE DIBUJO: F1026

ESCALA: NONE HOJA: 1

版本	ECO	编制	日期	批准	日期
F	0024317	Y.LIU	03-12-2012	B.SHEN	03-12-2012



MODEL NO.: F48SG6V5
 CUST. P/N: F1026
 HP: 1/4
 ROT.: REVERSIBLE
 RPM: 1075/750
 TYPE: UF
 FRAME: 48Y
 VOLTS: 208-230
 PH: 1
 AMPS: 1.4(2.0) MAX
 HZ: 60
 INS.: B
 AMB.: 60° C
 DUTY: AIR OVER
 CAP.: ENCLOSED
 ENCL: 5MFD/370V
 UL LOGO
 CSA LOGO
 THERMALLY PROTECTED



614131-042

	12.0/13.0	
	[305/330]	
	26.0/28.0	
	[660/711]	
	26.0/28.0	
	[660/711]	
	26.0/28.0	
	[660/711]	
	26.0/28.0	
	[660/711]	
	26.0/28.0	
	[660/711]	
	26.0/28.0	
	[660/711]	

C22787	25.8 OZ. FT.	EX11127	E46412	PRGY2	LR43341	4211-01
--------	--------------	---------	--------	-------	---------	---------

DISTRIBUTION SERVICE

- 形位公差
- 平面度
- 直线度
- ∠ 倾斜度
- ⊥ 垂直度
- // 平行度
- 圆度
- ⊘ 圆柱度
- ⊖ 面轮廓度
- ⊖ 线轮廓度
- ↗ 圆跳动
- ⊕ 位置度
- ⊙ 同轴度
- ≡ 对称度

ASME Y14.5M 1994

REGAL-BELOIT CORPORATION
 (RBC) 在个别领域为客户
 提供技术支持。鉴于RBC
 未收到任何涉及电机使用和
 应用环境的数据，电机的适用性
 由客户自己决定。

未注公差尺寸仅供参考。

绘图: Y.LIU 03-12-2012

批准: B.SHEN 03-12-2012

第三角投影 图纸格式发布日期 11-11-2011
 图纸格式版本 G

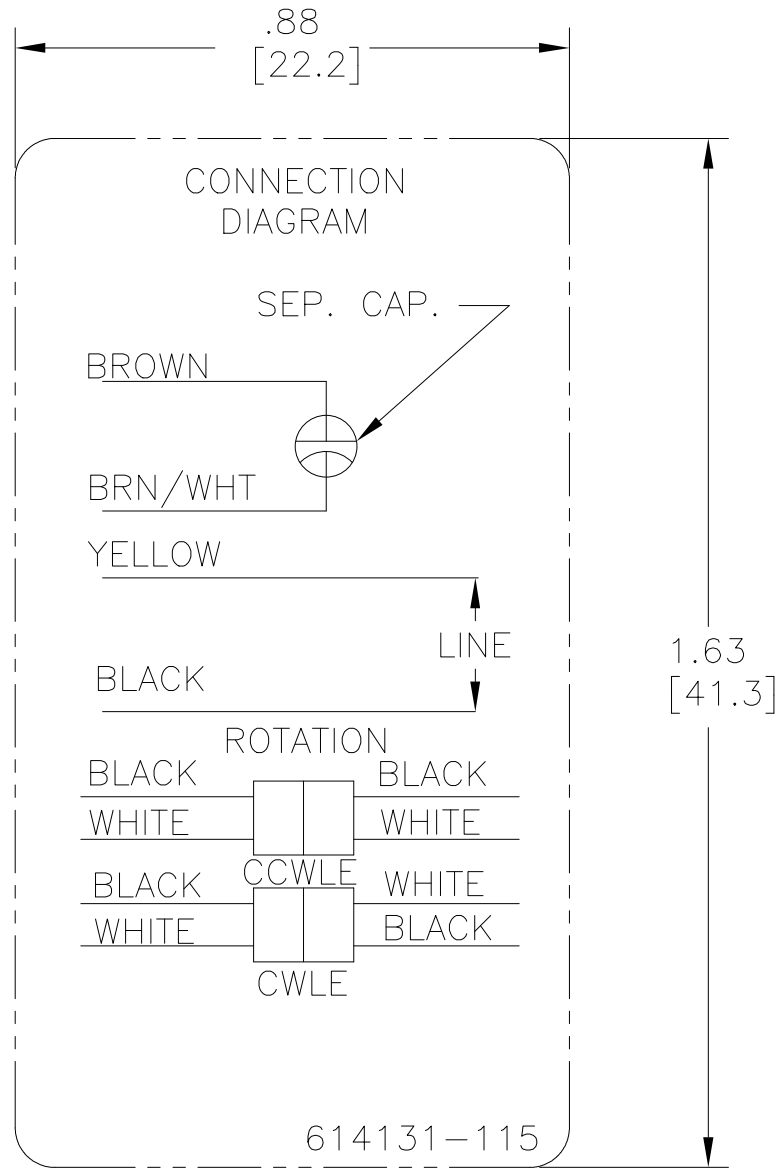
机密: 本图纸及相关信息所有权归REGAL-BELOIT CORPORATION
 未经REGAL-BELOIT CORPORATION书面授权, 不得泄露、
 复制、传播或作其他用途。—版权所有



名称
 MODEL-RFHP-48FR
 OUTLINE

图幅 C 图号 F1026

比例 NONE 页号 1



NOTES:

1. FOR USE WITH 614129 NAMEPLATE BLANK
2. — — — — — INDICATES DIMENSION LIMITS
3. DIE TO BE MADE FROM MASTER SUPPLIED BY A. O. SMITH CORPORATION

4. DIE MUST PRODUCE A LEGIBLE IMPRESSION

DRAWING REVISION D	REVISION BY J. RUPERT	DATE 09-09-2021
ECO NMR-0210333	APPROVED BY J. RUPERT	DATE 09-09-2021

ECO DESCRIPTION
REVISED FOR UP ISSUE

COPYRIGHT REGAL BELOIT AMERICA, INC. ALL RIGHTS RESERVED. PROPRIETARY AND CONFIDENTIAL INFORMATION - THIS DOCUMENT IS THE PROPERTY OF REGAL BELOIT AMERICA, INC. ("OWNER") AND CONTAINS OWNER'S PROPRIETARY INFORMATION. ANY PERSON, CORPORATION OR OTHER FIRM RECEIVING IT IS DEEMED, BY RECEIVING IT, TO AGREE THAT IT, AND/OR ANY PART OF IT, SHALL NOT BE DISCLOSED TO ANY PERSON, CORPORATION OR OTHER ENTITY, DUPLICATED, AND/OR USED, EXCEPT AS EXPRESSLY APPROVED IN WRITING IN ADVANCE BY OWNER. THIS DOCUMENT SHALL BE RETURNED TO OWNER UPON REQUEST. IT MAY BE SUBJECT TO CERTAIN RESTRICTIONS UNDER APPLICABLE EXPORT CONTROL LAWS AND REGULATIONS.

TOLERANCES UNLESS OTHERWISE SPECIFIED			
DEC.	INCH	mm	ANGLE
.X	±0.1	[±2.5]	±0.5°
.XX	±0.02	[±0.51]	
.XXX	±0.005	[±0.127]	
.XXXX	±0.0005	[±0.0127]	
REMOVE BURRS & BREAK SHARP EDGES .003/.015 [0.076/.381] X 45°			
CORNER FILLETS R.02 [51]			
MACHINED SURFACES $\sqrt[125]{\text{INCH}}$ $\sqrt[3.2]{\text{mm}}$			
mm SHOWN IN [BRACKETS]			

DRAWN BY: J. RUPERT	THIRD ANGLE PROJECTION
DATE: 06-24-2010	
APPROVED BY: T. RILEY	
DATE: 06-24-2010	
REFERENCE	

Regal Beloit America, Inc.	
DESCRIPTION CONN DIAGRAM EXTERNAL	
MATERIAL	PROCESS/FINISH
SIZE A	DWG NO 614131-115
SHEET 1	