

# PRODUCT INFORMATION PACKET



Model No: F1056S  
Catalog No: F1056S

Condenser Fan Motor, 1/2 HP, 1 Ph, 60 Hz, 208-230 V, 1075 RPM, 1 Speed, 48 Frame, SEMI ENCLOSED



Regal and Century are trademarks of Regal Rexnord Corporation or one of its affiliated companies.  
©2023 Regal Rexnord Corporation, All Rights Reserved. MC017097E





**Nameplate Specifications**

Output HP	1/2 Hp	Output KW	0.37 kW
Frequency	60 Hz	Voltage	208-230 V
Current	2.5 A	Speed	1075 rpm
Service Factor	1	Phase	1
Duty	Air Over	Insulation Class	B
Frame	48Y	Enclosure	Semi Enclosed
Thermal Protection	Automatic	Ambient Temperature	60 °C
UL	Recognized	CSA	Y
CE	N	Number of Speeds	1

**Technical Specifications**

Electrical Type	Permanent Split Capacitor	Starting Method	Across The Line
Poles	6	Rotation	Reversible
Mounting	Extended Studs	Motor Orientation	Any
Drive End Bearing	Ball	Opp Drive End Bearing	Ball
Frame Material	Rolled Steel	Shaft Type	Double Flat
Overall Length	11.99 in	Frame Length	3.75 in
Shaft Diameter	0.500 in	Shaft Extension	6.4 in
Outline Drawing	F1056S-S01	Connection Drawing	614131-115

This is an uncontrolled document once printed or downloaded and is subject to change without notice. Date Created:02/16/2023

4

3

2

1

D

C

B

A

**GENERAL INFORMATION:**

SHAFT RUNOUT: .001 [.025] T.I.R. PER INCH LENGTH OF EXTENSION

BEARINGS: BALL

MOUNTING POSITION: HORIZONTAL OR VERTICAL SHAFT UP

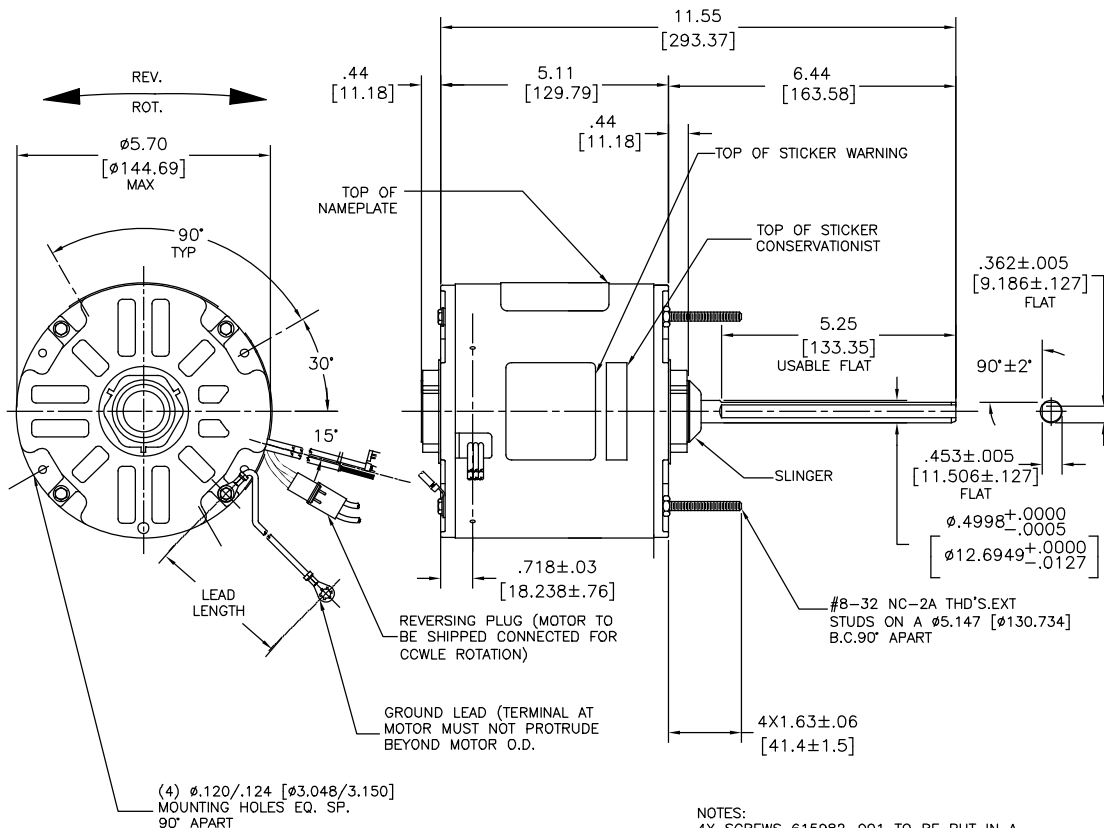
**ELECTRICAL DATA:**

OVERLOAD PROTECTOR: AUTOMATIC RESET (T.I. 7AM 036)

LINE LEADS: NO. 18 GA., .06 [1.52] THK. PVC 105°C INSUL.

REVERSING LEADS: NO. 18 GA., .03 [.76] THK. 125°C INSUL.

GROUND LEAD: NO. 18 GA., .03 [.76] THK. (GREEN) INSUL.



NAMEPLATE DATA:	EXTERNAL CONNECTION DIAGRAM
MODEL NO.: F48J15A01	BROWN ESP.CAP
CUST. NO.: F1056S	BRN/WHT
HP: 1/2	YELLOW
ROT: REVERSIBLE	BLACK
RPM: 1075	ROTATION
TYPE: UF	BLACK BLACK
FRAME: 48Y	WHITE WHITE
VOLTS: 208-230	CCWLE
PH: 1	BLACK WHITE
AMPS: 2.5 (3.6 MAX.)	CWLE
HZ: 60	614131-115
INS: B	
AMB: 60C	
DUTY: AIR OVER	
CAP.: 10 MFD/370 V	
ENCL: SEMI-ENCL.	
UL & CSA LOGO	
THERMALLY PROTECTED	

COLOR	LENGTH	TERMINAL OR STRIP LENGTH
GREEN (GROUND)	12.0/13.0 [304.8/330.2]	#10 EYELET
BLACK/WHITE	3.0/5.0 [76.2/127.0]	REVERSING PLUG
BROWN/WHITE	26.0/28.0 [660.4/711.2]	.25 [6.35] FLAG
BROWN	26.0/28.0 [660.4/711.2]	.25 [6.35] FLAG
YELLOW	26.0/28.0 [660.4/711.2]	.60 [15.24] SKIN
BLACK	26.0/28.0 [660.4/711.2]	.60 [15.24] SKIN

REGAL-BELOIT CORPORATION (RBC) PROVIDES TECHNICAL ASSISTANCE TO OUR CUSTOMERS IN SEVERAL AREAS. SINCE RBC DOES NOT RECEIVE ALL DATA CONCERNING THE USE AND APPLICATION OF THE MOTOR, THE SUITABILITY OF THE MOTOR FOR THE APPLICATION MUST BE DETERMINED BY THE CUSTOMER.

DIMENSIONS WITHOUT TOLERANCES ARE FOR REFERENCE ONLY.

MAIN FRAME - OLE	ENCLOSED
END FRAME - OLE	ENCLOSED
MAIN FRAME - LE	ENCLOSED
END FRAME - LE	OPEN

CUSTOMER	DISTRIBUTION SERVICE

PERFORMANCE CURVE NO.	TORQUE @ 1075 RPM (25°C)	APPROVED SAMPLE	UL COMPONENT	CSA
C30436	50.4 OZ. FT.	89AC309A	FILE # CCN # FILE # CLASS #	E46412 PRGY2 LR43341 4211-01

DRAWING REVISION	REVISION BY	DATE
ED	GELINE ZHAO	05-23-2019
ECO-0166568	KEYUN GONG	05-23-2019
SEE ECO		

EQUIPMENT REGAL-BELOIT AMERICA, INC. ALL RIGHTS RESERVED. PROPRIETARY AND CONFIDENTIAL INFORMATION - THIS DOCUMENT IS THE PROPERTY OF REGAL-BELOIT AMERICA, INC. (RBC) AND CONSIDERS OWNER'S PROPRIETARY INFORMATION. ANY PERSON, CORPORATION OR OTHER FIRM RECEIVING IT IS DEEMED BY RECEIVING IT TO AGREE THAT IT AND/OR ANY PART OF IT SHALL NOT BE DISCLOSED TO ANY PERSON, CORPORATION OR OTHER ENTITY, DUPLICATED, AND/OR USED, EXCEPT AS EXPRESSLY APPROVED IN WRITING BY OWNER. THIS DOCUMENT SHALL BE RETURNED TO OWNER UPON REQUEST. IT MAY BE SUBJECT TO CERTAIN RESTRICTIONS UNDER APPLICABLE EXPORT CONTROL LAWS AND REGULATIONS.

ENCLOSURE	DESCRIPTION
MAIN FRAME - OLE	ENCLOSED
END FRAME - OLE	ENCLOSED
MAIN FRAME - LE	ENCLOSED
END FRAME - LE	OPEN

DRAWN BY: J. RUPERT  
DATE: 05-29-1997  
APPROVED BY: WVS  
DATE: 05-29-1997  
PROCESS/FINISH: -  
THIRD ANGLE PROJECTION

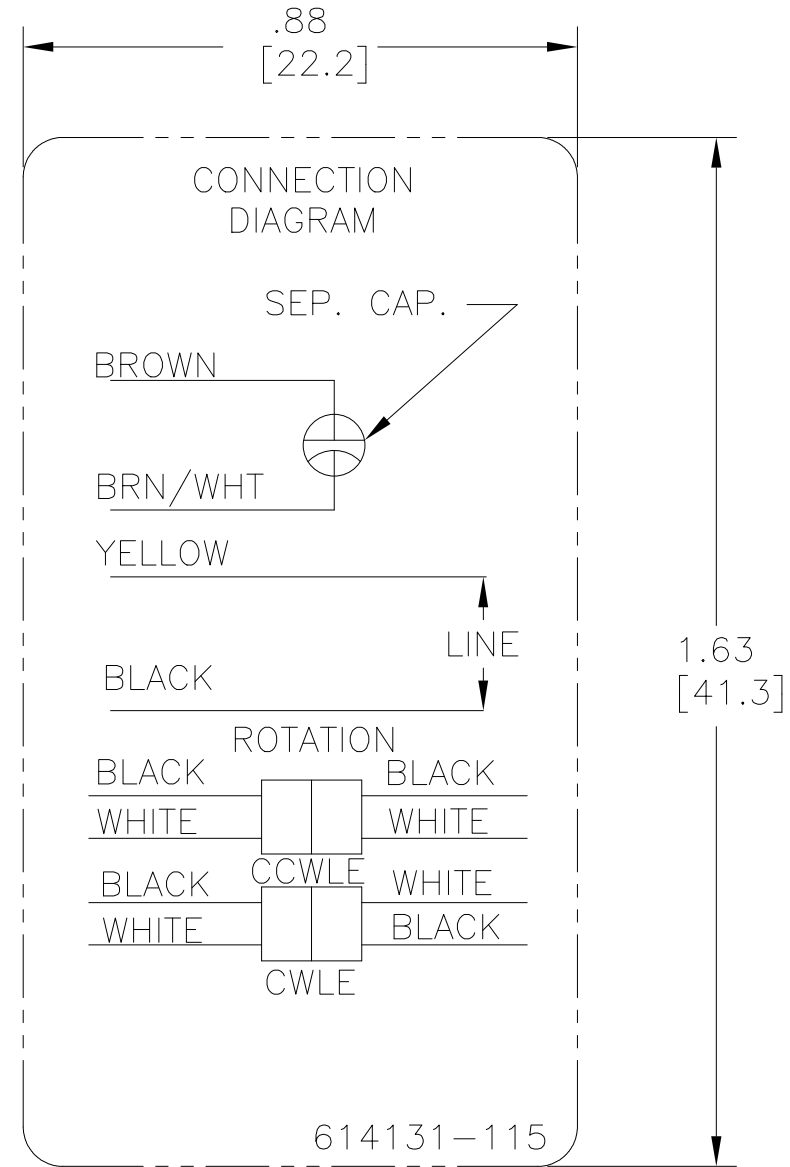
Regal Beloit America, Inc.  
MODEL-RFHP-48FR OUTLINE  
MATERIAL: -  
SIZE DWG NO: F1056S  
SHEET 1

4

3

2

1



NOTES:

1. FOR USE WITH 614129 NAMEPLATE BLANK
2. — — — — — INDICATES DIMENSION LIMITS
3. DIE TO BE MADE FROM MASTER SUPPLIED BY A. O. SMITH CORPORATION

4. DIE MUST PRODUCE A LEGIBLE IMPRESSION

DRAWING REVISION D	REVISION BY J. RUPERT	DATE 09-09-2021
ECO NMR-0210333	APPROVED BY J. RUPERT	DATE 09-09-2021
ECO DESCRIPTION REVISED FOR UP ISSUE		

TOLERANCES UNLESS OTHERWISE SPECIFIED			
DEC.	INCH	mm	ANGLE
.X	±0.1	[±2.5]	±0.5°
.XX	±0.02	[±0.51]	
.XXX	±0.005	[±0.127]	
.XXXX	±0.0005	[±0.0127]	
REMOVE BURRS & BREAK SHARP EDGES .003/.015 [0.076/.381] X 45° CORNER FILLETS R.02 [.51] MACHINED SURFACES			
		125	3.2
		INCH	mm
mm SHOWN IN [BRACKETS]			

DRAWN BY: J. RUPERT	THIRD ANGLE PROJECTION
DATE: 06-24-2010	
APPROVED BY: T. RILEY	
DATE: 06-24-2010	
REFERENCE	

<b>Regal Beloit America, Inc.</b>	
DESCRIPTION CONN DIAGRAM EXTERNAL	
MATERIAL	PROCESS/FINISH
SIZE A	DWG NO 4 of 4
614131-115	
SHEET 1	

COPYRIGHT REGAL BELOIT AMERICA, INC. ALL RIGHTS RESERVED. PROPRIETARY AND CONFIDENTIAL INFORMATION - THIS DOCUMENT IS THE PROPERTY OF REGAL BELOIT AMERICA, INC. ("OWNER") AND CONTAINS OWNER'S PROPRIETARY INFORMATION. ANY PERSON, CORPORATION OR OTHER FIRM RECEIVING IT IS DEEMED, BY RECEIVING IT, TO AGREE THAT IT, AND/OR ANY PART OF IT, SHALL NOT BE DISCLOSED TO ANY PERSON, CORPORATION OR OTHER ENTITY, DUPLICATED, AND/OR USED, EXCEPT AS EXPRESSLY APPROVED IN WRITING IN ADVANCE BY OWNER. THIS DOCUMENT SHALL BE RETURNED TO OWNER UPON REQUEST. IT MAY BE SUBJECT TO CERTAIN RESTRICTIONS UNDER APPLICABLE EXPORT CONTROL LAWS AND REGULATIONS.