

PRODUCT INFORMATION PACKET



Model No: F1076

Catalog No: F1076

Condenser Fan Motor, 3/4 HP, 1 Ph, 60 Hz, 208-230 V, 1075 RPM, 2 Speed, 48 Frame, SEMI ENCL



Regal and Century are trademarks of Regal Rexnord Corporation or one of its affiliated companies.
©2025 Regal Rexnord Corporation, All Rights Reserved. MC017097E





Nameplate Specifications

Phase	1	Output HP	3/4 Hp
Output KW	0.56 kW	Voltage	208-230 V
Speed	1075 rpm	Service Factor	1.0
Frame	48Y	Enclosure	Semi Enclosed
Thermal Protection	Automatic	Ambient Temperature	60 °C
Frequency	60 Hz	Current	3.5 A
Duty	Air Over	Insulation Class	B
UL	Recognized	CSA	Y
CE	N	Number of Speeds	2

Technical Specifications

Electrical Type	Permanent Split Capacitor	Starting Method	Across The Line
Poles	6	Rotation	Reversible
Mounting	Extended Studs	Motor Orientation	Any
Drive End Bearing	Ball	Opp Drive End Bearing	Ball
Frame Material	Rolled Steel	Shaft Type	Double Flat
Overall Length	12.24 in	Frame Length	4.75 in
Shaft Diameter	0.500 in	Shaft Extension	6.4 in
Outline Drawing	F1076-S01	Connection Drawing	614131-104

This is an uncontrolled document once printed or downloaded and is subject to change without notice. Date Created:02/10/2025

4

3

2

1

REV	ECO	REV BY	DATE	APPD	DATE
B	ECO-0024313	T.HUANG	02-14-2011	B.C.SHEN	02-14-2011

GENERAL INFORMATION:

SHAFT RUNOUT: .001[.03] T.I.R. PER INCH LENGTH OF EXTENSION

BEARINGS: BALL

MOUNTING POSITION: HORIZONTAL

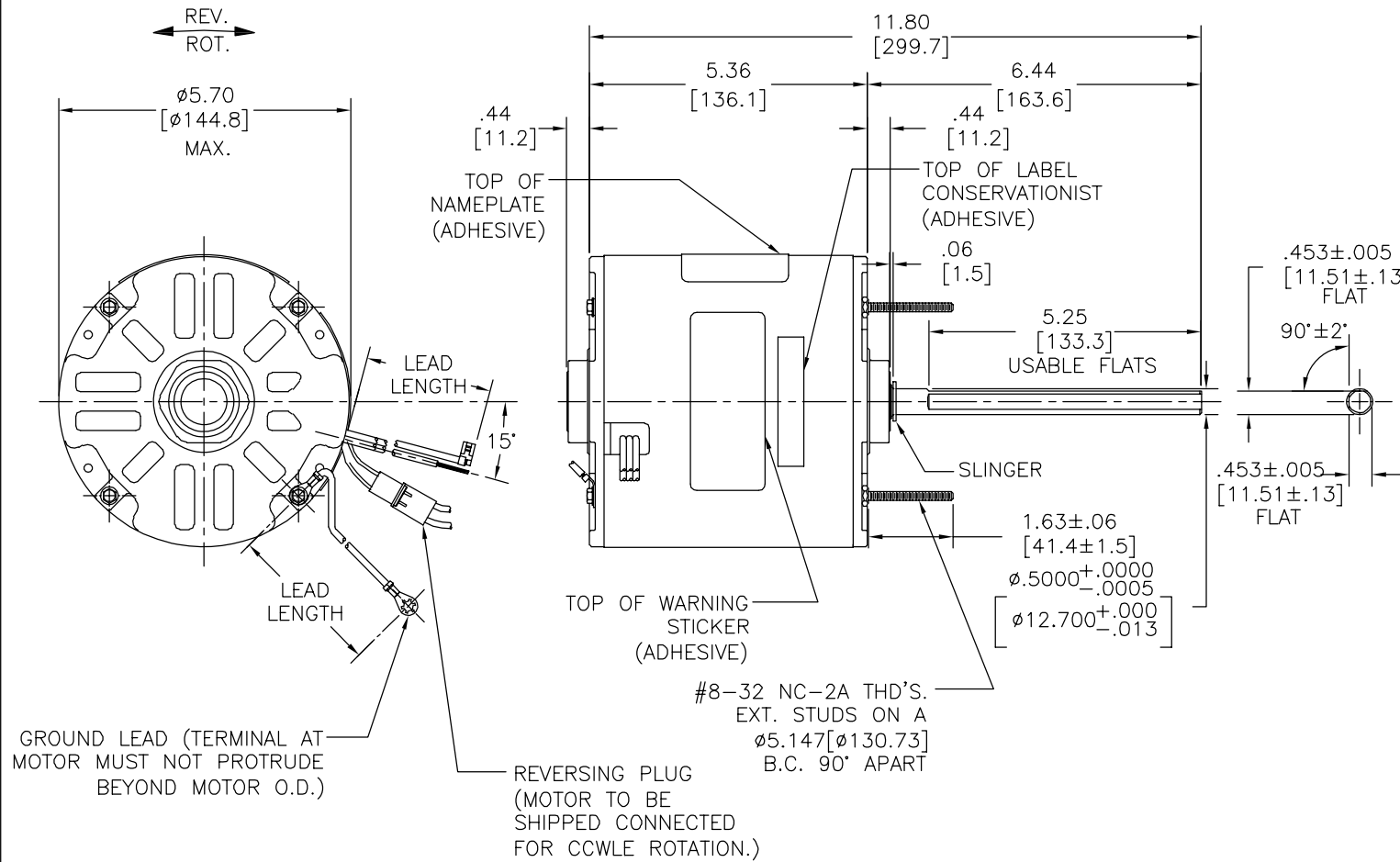
ELECTRICAL DATA:

OVERLOAD PROTECTOR: AUTOMATIC RESET (T.I. 7AM 036)

LEADS: NO. 18 GA., .06[1.5] THK. PVC 105°C INSUL.

REVERSING LEADS: NO. 18 GA., .03[.8] THK. 125°C INSUL.

GROUND LEAD: NO. 18 GA., .03[.8] THK., (GREEN) INSUL.



GROUND LEAD (TERMINAL AT MOTOR MUST NOT PROTRUDE BEYOND MOTOR O.D.)

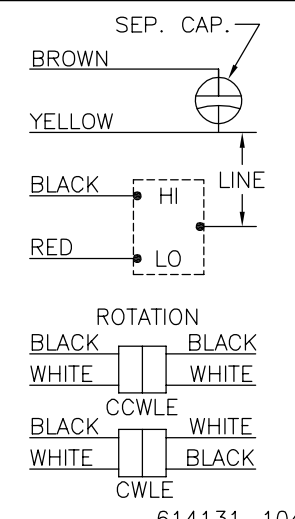
REVERSING PLUG (MOTOR TO BE SHIPPED CONNECTED FOR CCWLE ROTATION.)

#8-32 NC-2A THD'S. EXT. STUDS ON A ø5.147[ø130.73] B.C. 90° APART

NAMEPLATE DATA:

EXTERNAL CONNECTION DIAGRAM

MODEL NO.: F48SQ6V47
 CUST. P/N: F1076
 HP: 3/4
 ROT.: REVERSIBLE
 RPM: 1075/2 SPD.
 TYPE: UF
 FRAME: 48Y
 VOLTS: 208-230
 PH: 1
 AMPS: 3.5(4.2 MAX.)
 HZ: 60
 INS.: B
 AMB.: 60° C
 DUTY: AIR OVER
 CAP.: 15 MFD/370V
 ENCL: SEMI-ENCL.
 UL LOGO
 CSA LOGO
 THERMALLY PROTECTED



614131-104

GREEN(GRD)	12.0/13.0 [305/330]	#10 EYELET
BLACK/WHITE	4.0/6.0 [102/152]	REVERSING PLUG
BROWN	26.0/28.0 [660/711]	.25[6.4] FLAG
YELLOW	26.0/28.0 [660/711]	.60[15.2] SKIN
BLACK	26.0/28.0 [660/711]	.60[15.2] SKIN
RED	26.0/28.0 [660/711]	.60[15.2] SKIN
COLOR	LENGTH	TERMINAL OR STRIP LENGTH

MAIN FRAME - OLE	ENCLOSED
END FRAME - OLE	ENCLOSED
MAIN FRAME - LE	ENCLOSED
END FRAME - LE	OPEN

CUSTOMER	DISTRIBUTION SERVICES
----------	-----------------------

PERFORMANCE CURVE NO.	TORQUE @ 1075 RPM (25°C)	APPROVED SAMPLE	UL COMPONENT FILE #	CCN #	CSA FILE #	CLASS #
C23138	68.8 OZ. FT.	EX11129	E46412	PRGY2	LR43341	4211-01

GEOMETRIC CHARACTERISTICS & SYMBOLS
 □ FLATNESS
 - STRAIGHTNESS
 < ANGLARITY
 ⊥ PERPENDICULARITY (SQUARENESS)
 // PARALLELISM
 ○ ROUNDNESS (CIRCULARITY)
 ∅ CYLINDRICITY
 △ PROFILE OF ANY SURFACE
 ∩ PROFILE OF ANY LINE
 ↗ RUNOUT
 ⊕ TRUE POSITION
 ⊙ CONCENTRICITY
 = SYMMETRY
 ASME Y14.5M 1994

REGAL-BELOIT CORPORATION (RBC) PROVIDES TECHNICAL ASSISTANCE TO OUR CUSTOMERS IN SEVERAL AREAS. SINCE RBC DOES NOT RECEIVE ALL DATA CONCERNING THE USE AND APPLICATION OF THE MOTOR, THE SUITABILITY OF THE MOTOR FOR THE APPLICATION MUST BE DETERMINED BY THE CUSTOMER.
 DIMENSIONS WITHOUT TOLERANCES ARE FOR REFERENCE ONLY.

DR BY: T.HUANG 02-14-2011
 APPD: B.C.SHEN 02-14-2011
 THIRD ANGLE PROJECTION
 EDS DATE 11-11-2011
 FORMAT REV G
 CONFIDENTIAL: THIS DRAWING AND ITS INFORMATION ARE THE EXCLUSIVE AND CONFIDENTIAL PROPERTY OF REGAL-BELOIT CORPORATION AND ARE NOT TO BE DISCLOSED, DUPLICATED, DISTRIBUTED OR OTHERWISE USED WITHOUT THE WRITTEN CONSENT OF REGAL-BELOIT CORPORATION. -ALL RIGHTS RESERVED.

REGAL-BELOIT CORPORATION

DESCRIPTION: MODEL-RFHP-48FR OUTLINE

SIZE: C DWG NO: F1076

SCALE: NONE SHEET: 1

4

3

2

1

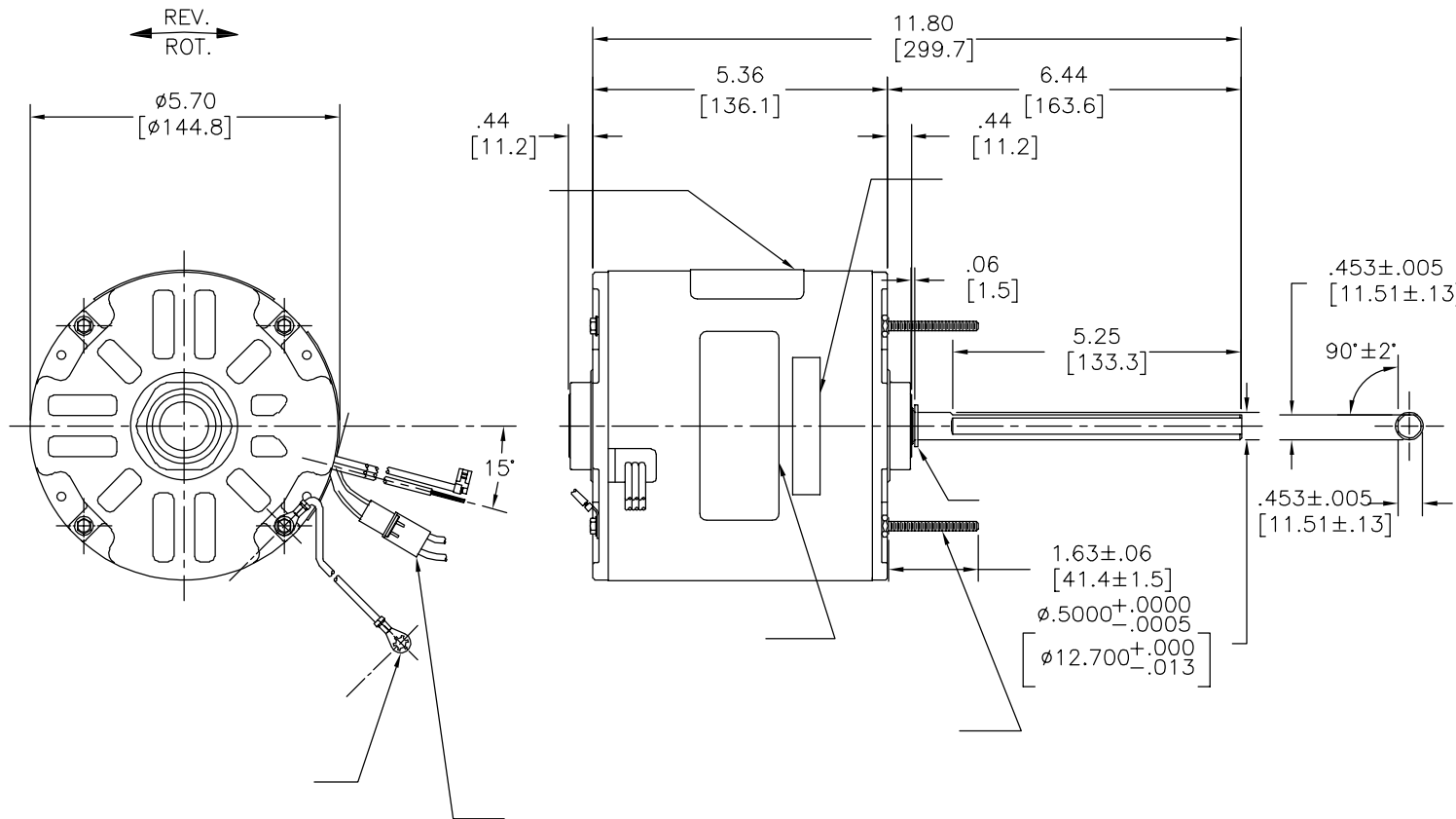
4

3

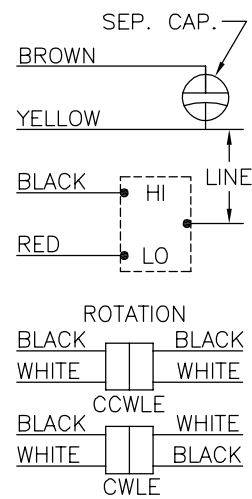
2

1

REVISION:	ECO	REVISADO POR:	FECHA:	APROBADO POR:	FECHA:
B	ECO-0024313	T.HUANG	02-14-2011	B.C.SHEN	02-14-2011



MODEL NO.: F48SQ6V47
 CUST. P/N: F1076
 HP: 3/4
 ROT.: REVERSIBLE
 RPM: 1075/2 SPD.
 TYPE: UF
 FRAME: 48Y
 VOLTS: 208-230
 PH: 1
 AMPS: 3.5(4.2 MAX.)
 HZ: 60
 INS.: B
 AMB.: 60° C
 DUTY: AIR OVER
 CAP.: 15 MFD/370V
 ENCL: SEMI-ENCL.
 UL LOGO
 CSA LOGO
 THERMALLY PROTECTED



614131-104

	12.0/13.0	
	[305/330]	
	4.0/6.0	
	[102/152]	
	26.0/28.0	
	[660/711]	
	26.0/28.0	
	[660/711]	
	26.0/28.0	
	[660/711]	
	26.0/28.0	
	[660/711]	

DISTRIBUTION SERVICES

CARACTERISTICAS DE GEOMETRIA Y SIMBOLOS
 ▽ PLANICIDAD
 — RECTITUD
 < ANGULARIDAD
 ⊥ PERPENDICULARIDAD (A ESCUADRA)
 // PARALELISMO
 ○ REDONDEZ (CIRCULARIDAD)
 ∅ CILINDRICIDAD
 △ PERFIL DE CUALQUIER SUPERFICIE
 ∇ PERFIL DE CUALQUIER LINEA
 ↗ VARIACION
 ⊕ POSICION REAL
 ⊙ CONCENTRICIDAD
 = SIMETRIA
 ASME Y14.5M 1994

REGAL-BELOIT CORPORATION (RBC)
 PROVEE ASISTENCIA TECNICA A
 NUESTROS CLIENTES EN VARIAS AREAS.
 DESDE QUE RBC NO RECIBE TODOS
 LOS DATOS EN RELACION AL USO Y A
 LA APLICACION DEL MOTOR, LA
 APLICACION ADECUADA DEL MOTOR
 DEBE SER DETERMINADA POR EL
 CLIENTE.

DIMENSIONES SIN TOLERANCIA SON
 DE REFERENCIA SOLAMENTE

DIBUJADO POR:
 T.HUANG
 APROBADO POR:
 B.C.SHEN

02-14-2011

02-14-2011

TERCER ANGULO
 DE PROYECCION



FECHA EDS: 11-11-2011
 REV. FORMATO: G

CONFIDENCIAL: ESTE DIBUJO Y SU INFORMACION
 SON PROPIEDAD DE USO EXCLUSIVO Y CONFIDENCIAL DE
 REGAL-BELOIT CORPORATION. Y NO DEBERAN SER REVELADOS,
 DUPLICADOS, DISTRIBUIDOS O USARSE DE OTRA MANERA
 SIN EL CONSENTIMIENTO ESCRITO DE REGAL-BELOIT
 CORPORATION. -TODOS LOS DERECHOS RESERVADOS.



DESCRIPCION:

MODEL-RFHP-48FR
 OUTLINE

TAMAÑO: C

NUMERO DE DIBUJO:
 F1076

ESCALA: NONE

HOJA: 1

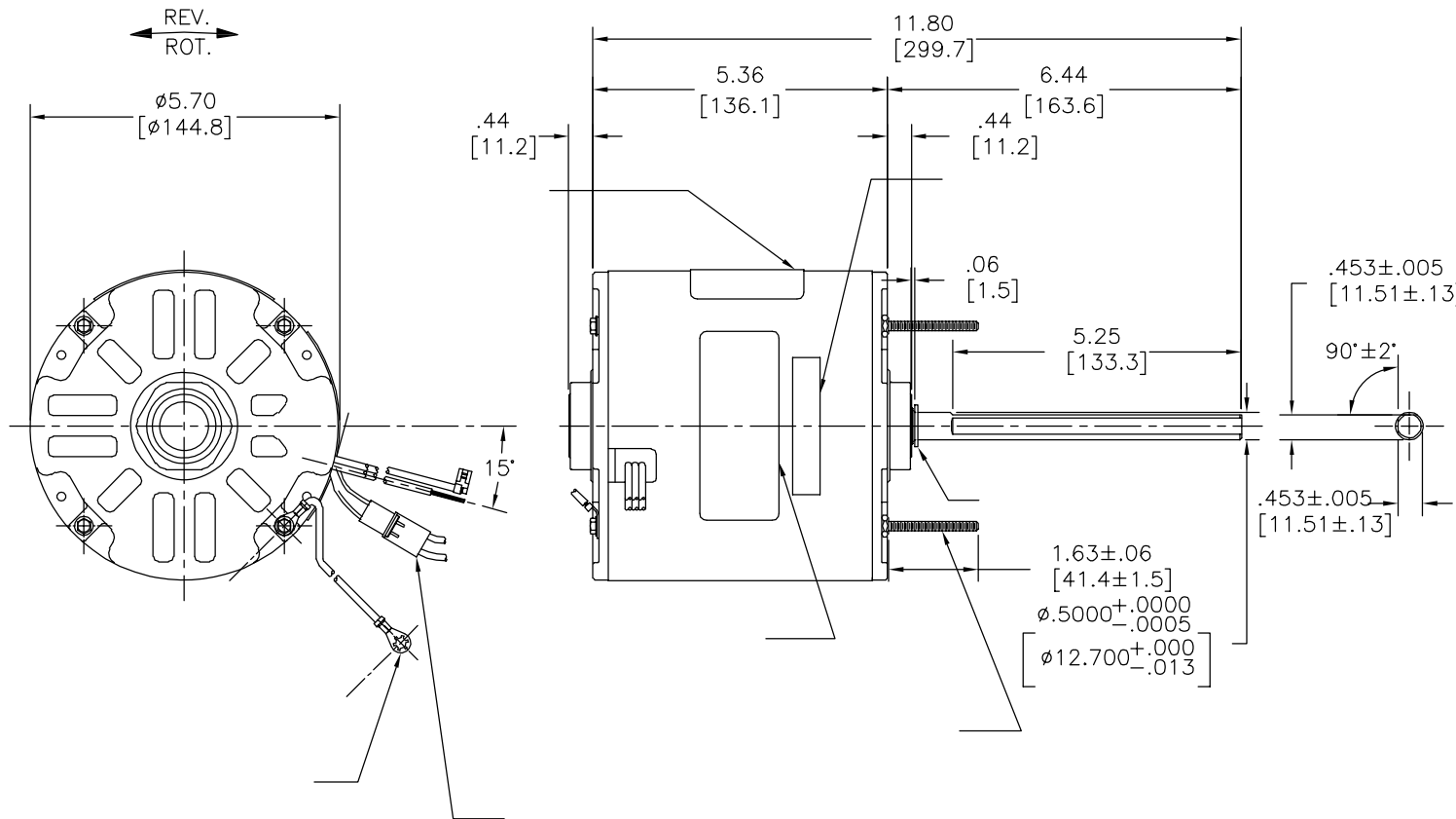
4

3

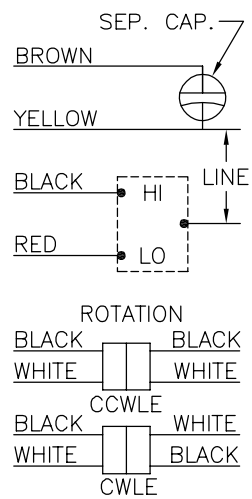
2

1

版本	ECO	编制	日期	批准	日期
B	ECO-0024313	T.HUANG	02-14-2011	B.C.SHEN	02-14-2011



MODEL NO.: F48SQ6V47
 CUST. P/N: F1076
 HP: 3/4
 ROT.: REVERSIBLE
 RPM: 1075/2 SPD.
 TYPE: UF
 FRAME: 48Y
 VOLTS: 208-230
 PH: 1
 AMPS: 3.5(4.2 MAX.)
 HZ: 60
 INS.: B
 AMB.: 60° C
 DUTY: AIR OVER
 CAP.: 15 MFD/370V
 ENCL: SEMI-ENCL.
 UL LOGO
 CSA LOGO
 THERMALLY PROTECTED



614131-104

	12.0/13.0	
	[305/330]	
	4.0/6.0	
	[102/152]	
	26.0/28.0	
	[660/711]	
	26.0/28.0	
	[660/711]	
	26.0/28.0	
	[660/711]	
	26.0/28.0	
	[660/711]	

DISTRIBUTION SERVICES

- 形位公差
- 平面度
- 直线度
- ∠ 倾斜度
- ⊥ 垂直度
- // 平行度
- 圆度
- ⊘ 圆柱度
- △ 面轮廓度
- ∇ 线轮廓度
- ↗ 圆跳动
- ⊕ 位置度
- ⊙ 同轴度
- ≡ 对称度

ASME Y14.5M 1994

REGAL-BELOIT CORPORATION
 (RBC)在个别领域为客户
 提供技术支持。鉴于RBC
 未收到任何涉及电机使用和
 应用环境的数据,电机的适用性
 由客户自己决定。

未注公差尺寸仅供参考。

绘图: T.HUANG 02-14-2011

批准: B.C.SHEN 02-14-2011

第三角投影 图纸格式发布日期 11-11-2011
 图纸格式版本 G

机密: 本图纸及相关信息所有权归REGAL-BELOIT CORPORATION
 未经REGAL-BELOIT CORPORATION书面授权, 不得泄露、
 复制、传播或作其他用途。—版权所有

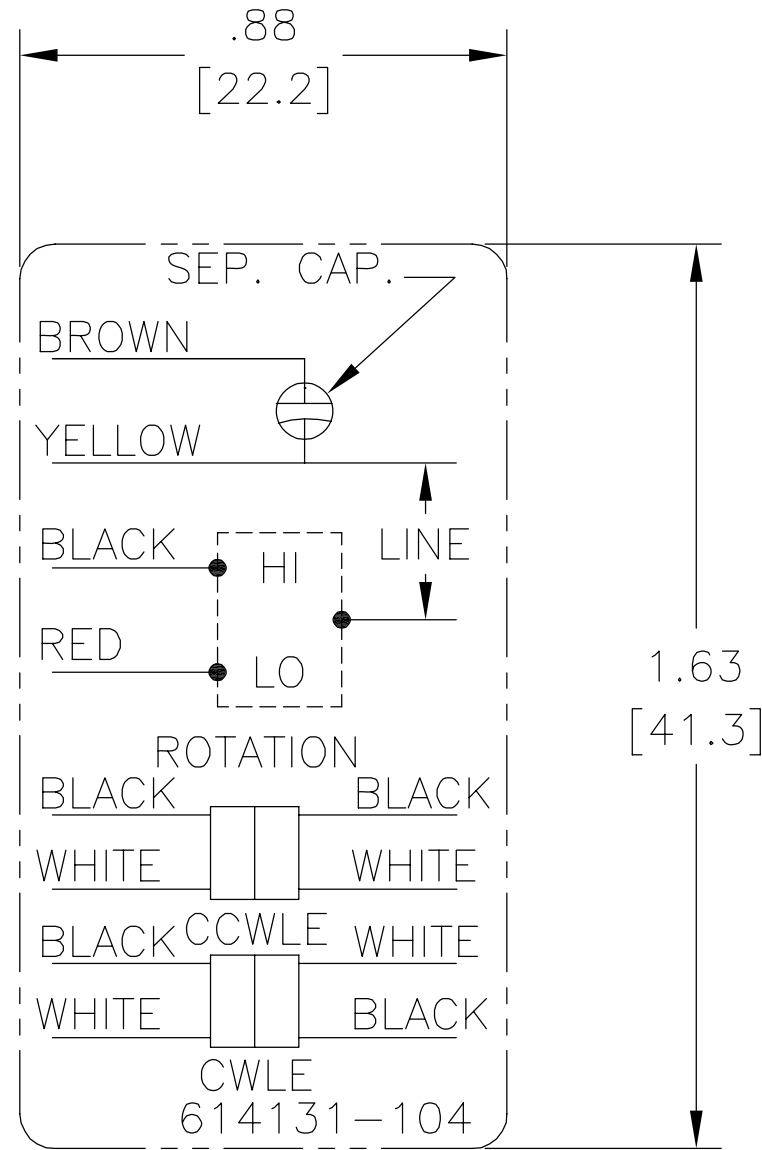


名称
 MODEL-RFHP-48FR
 OUTLINE

图幅 C 图号 F1076

比例 NONE 页号 1

REV	ECO	REV BY	DATE	APPD	DATE
A	ECO-0018859	jrupert	02-21-011	triley	02-21-2011



NOTES:

1. FOR USE WITH 614129 NAMEPLATE BLANK
2. — — — — — INDICATES DIMENSION LIMITS
3. DIE TO BE MADE FROM MASTER SUPPLIED BY A. O. SMITH CORPORATION
4. DIE MUST PRODUCE A LEGIBLE IMPRESSION.

GEOMETRIC CHARACTERISTICS & SYMBOLS

- ▭ FLATNESS
- STRAIGHTNESS
- ∠ ANGULARITY
- ⊥ PERPENDICULARITY (SQUARENESS)
- // PARALLELISM
- ROUNDNESS (CIRCULARITY)
- ⊘ CYLINDRICITY
- △ PROFILE OF ANY SURFACE
- ∩ PROFILE OF ANY LINE
- ↑ RUNOUT
- ⊕ TRUE POSITION
- ◎ CONCENTRICITY
- ≡ SYMMETRY

UNLESS OTHERWISE SPECIFIED
DIM. TOLERANCES ARE AS FOLLOWS:

INCH	±.1	±.02	±.005	±.0005
mm	±0.5	±0.13	±0.013	

ANG. ±.50 DEG

REMOVE BURRS & BREAK SHARP EDGES:
INCH .003-.015 mm 0.1-0.4

CORNER FILLETS TO:
INCH .020 mm 0.5

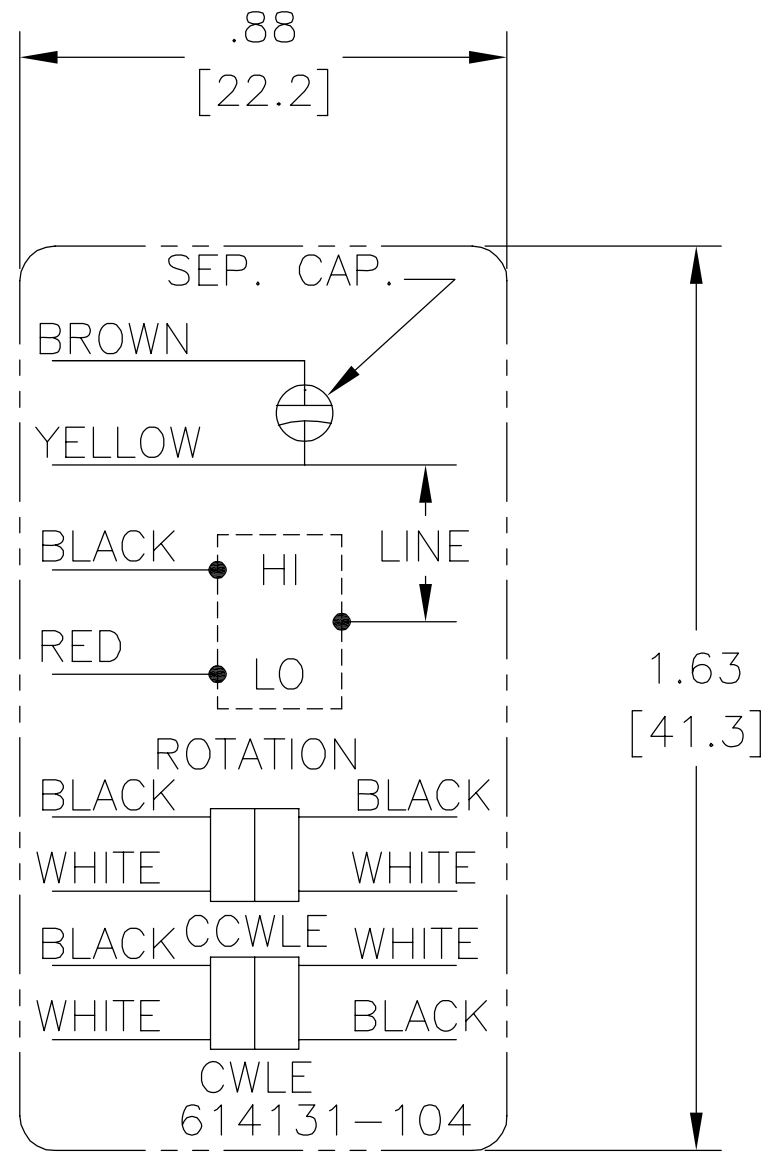
MACHINE SURFACES:
INCH 125 mm 3.2

METRIC DIMS. SHOWN IN [BRACKETS]

DR BY:	jrupert	02-21-2011
APPD:	triley	02-21-2011
THIRD ANGLE PROJECTION		EDS DATE 02-22-2008 FORMAT REV F
CONFIDENTIAL: THIS DRAWING AND ITS INFORMATION ARE THE EXCLUSIVE AND CONFIDENTIAL PROPERTY OF A.O. SMITH CORP. AND ARE NOT TO BE DISCLOSED, DUPLICATED, DISTRIBUTED OR OTHERWISE USED WITHOUT THE WRITTEN CONSENT OF A.O. SMITH CORP. -ALL RIGHTS RESERVED. ASME Y14.5M 1994		

AC Smith Innovation has a name.		ELECTRICAL PRODUCTS COMPANY A DIVISION OF A. O. SMITH CORPORATION	
DESCRIPTION			
CONN DIAGRAM EXTERNAL			
SIZE	A	DWG NO	614131-104
SCALE	NONE	SHEET	1

REVISION:	ECO	REVISADO POR:	FECHA:	APROBADO POR:	FECHA:
A	ECO-0018859	jrupert	02-21-011	triley	02-21-2011

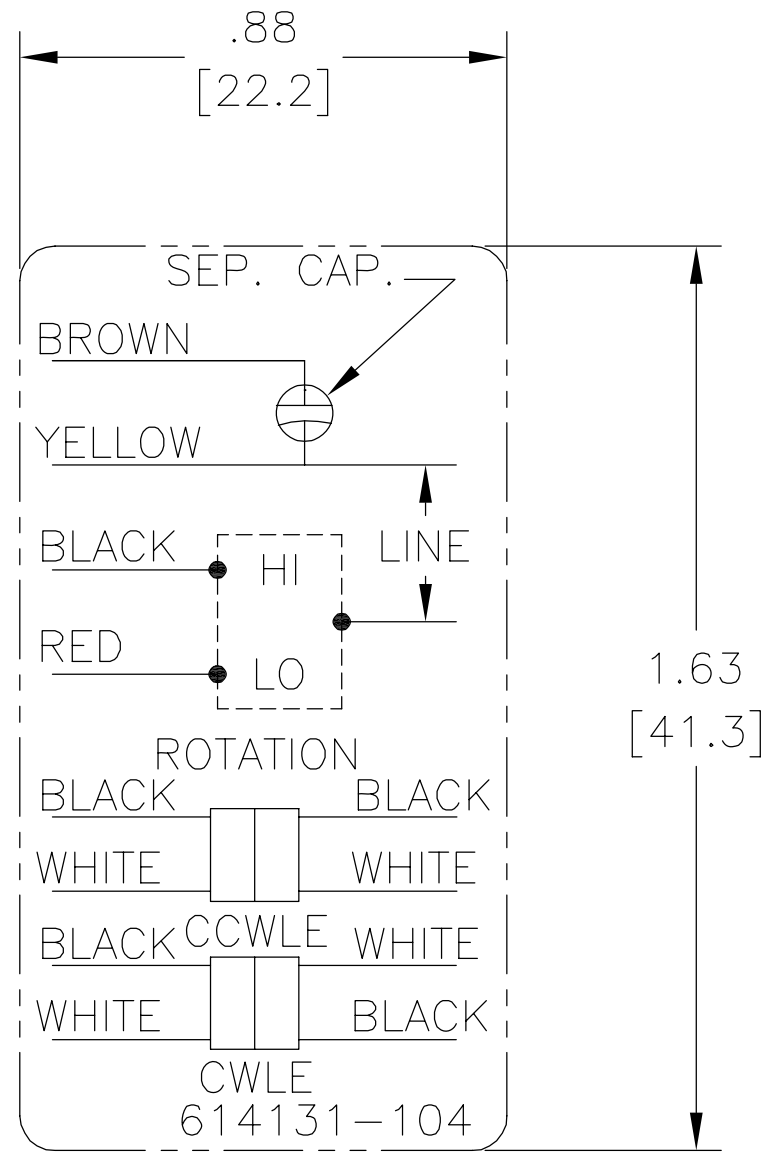


NOTES:

1. FOR USE WITH 614129 NAMEPLATE BLANK
2. — — — — — INDICATES DIMENSION LIMITS
3. DIE TO BE MADE FROM MASTER SUPPLIED BY A. O. SMITH CORPORATION
4. DIE MUST PRODUCE A LEGIBLE IMPRESSION.

CARACTERISTICAS DE GEOMETRIA Y SIMBOLOS ▭ PLANICIDAD — RECTITUD ∠ ANGULARIDAD ⊥ PERPENDICULARIDAD (A ESCUADRA) // PARALELISMO ○ REDONDEZ (CIRCULARIDAD) ∅ CILINDRICIDAD ∩ PERFIL DE CUALQUIER SUPERFICIE ∪ PERFIL DE CUALQUIER LINEA ↑ VARIACION ⊕ POSICION REAL ⊙ CONCENTRICIDAD = SIMETRIA	A MENOS QUE SE ESPECIFIQUE DE OTRA MANERA, LAS TOLERANCIAS DE LAS DIMS; SON LAS SIGUIENTES: X XX XXX XXXX PULG ±.1 ±.02 ±.005 ±.0005 mm ±0.5 ±0.13 ±0.013 ANG. ±.50 GRADOS ELIMINAR REBABAS Y ORILLAS FILOSAS DEL BORDE. PULG .003-.015 mm 0.1-0.4 FILETEAR ESQUINA: PULG .020 mm 0.5 MAQUINAR SUPERFICIES PULG 125 mm 3.2 DIMS METRICAS MOSTRADAS [PARENTESIS]	DIBUJADO POR: jrupert 02-21-2011	AC Smith Innovation has a name. ELECTRICAL PRODUCTS COMPANY A DIVISION OF A. O. SMITH CORPORATION
	APROBADO POR: triley 02-21-2011	DESCRIPCION: CONN DIAGRAM EXTERNAL	
	TERCER ANGULO DE PROYECCION FECHA EDS: 02-22-2008 REV. FORMATO: F	TAMAÑO: A NUMERO DE DIBUJO: 614131-104	
	CONFIDENCIAL: ESTE DIBUJO Y SU INFORMACION SON PROPIEDAD DE USO EXCLUSIVO Y CONFIDENCIAL DE A.O.SMITH CORP. Y NO DEBERAN SER REVELADOS, DUPLICADOS, DISTRIBUIDOS O USARSE DE OTRA MANERA SIN EL CONSENTIMIENTO ESCRITO DE A.O. SMITH CORP. -TODOS LOS DERECHOS RESERVADOS.ASME Y14.5M 1994	ESCALA:NONE HOJA: 1	

??	ECO	??	??	??
A	ECO-0018859	jrupert	02-21-011	triley



NOTES:

1. FOR USE WITH 614129 NAMEPLATE BLANK
2. ——— ——— INDICATES DIMENSION LIMITS
3. DIE TO BE MADE FROM MASTER SUPPLIED BY A. O. SMITH CORPORATION
4. DIE MUST PRODUCE A LEGIBLE IMPRESSION.

<p>???? □ ??? - ??? < ??? ⊥ ??? // ??? ○ ??? ⊕ ??? △ ??? ∩ ??? ↑ ??? ⊕ ??? ⊙ ??? = ???</p>	<p>????? ??????? ?? X XX XXX XXXX ?? ±.1 ±.02 ±.005 ±.0005 ?? ±0.5 ±0.13 ±0.013 ?? ±.50 ? ??????? ?? .003-.015 ?? 0.1-0.4 ??? ?? .020 ?? 0.5 ????? ?? 125 ?? 3.2 ???????[]</p>	<p>??: jrupert 02-21-2011 triley 02-21-2011 ?????? ⊕ ◁ ??????? 02-22-2008 ?????? F ??: ?????????????A.O.SMITH????? ??A.O.SMITH???????????????????? ??????—????? ASME Y14.5M 1994</p>
--	---	--

		<p>ELECTRICAL PRODUCTS COMPANY A DIVISION OF A. O. SMITH CORPORATION</p>	
<p>CONN DIAGRAM EXTERNAL</p>			
??	A	??	614131-104
??	NONE	??	1