

PRODUCT INFORMATION PACKET



Model No: F1076SV1

Catalog No: F1076SV1

Condenser Fan Motor, 3/4 HP, 1 Ph, 60 Hz, 208-230 V, 1075 RPM, 1 Speed, 48 Frame, SEMI ENCLOSED



Regal and Century are trademarks of Regal Rexnord Corporation or one of its affiliated companies.

©2023 Regal Rexnord Corporation, All Rights Reserved. MC017097E





Nameplate Specifications

| | | | |
|--------------------|-------------------|---------------------|----------------------|
| Output HP | 3/4 Hp | Output KW | 0.56 kW |
| Frequency | 60 Hz | Voltage | 208-230 V |
| Current | 5.3 A | Speed | 1075 rpm |
| Service Factor | 1 | Phase | 1 |
| Duty | Air Over | Insulation Class | B |
| Frame | 48Y | Enclosure | Semi Enclosed |
| Thermal Protection | Automatic | Ambient Temperature | 60 °C |
| UL | Recognized | CSA | Y |
| CE | N | Number of Speeds | 1 |

Technical Specifications

| | | | |
|-------------------|----------------------------------|-----------------------|------------------------|
| Electrical Type | Permanent Split Capacitor | Starting Method | Across The Line |
| Poles | 6 | Rotation | Reversible |
| Mounting | Round Belly Band | Motor Orientation | Any |
| Drive End Bearing | Ball | Opp Drive End Bearing | Ball |
| Frame Material | Rolled Steel | Shaft Type | Flat |
| Overall Length | 9.99 in | Frame Length | 5.38 in |
| Shaft Diameter | 0.500 in | Shaft Extension | 4 in |
| Outline Drawing | F1076SV1-S01 | Connection Drawing | 614131-242 |

This is an uncontrolled document once printed or downloaded and is subject to change without notice. Date Created:02/16/2023

GENERAL INFORMATION:

SHAFT RUNOUT: .001 [.03] T.I.R. PER INCH LENGTH OF EXTENSION

BEARINGS: BALL

MOUNTING POSITION: VERTICAL SHAFT UP

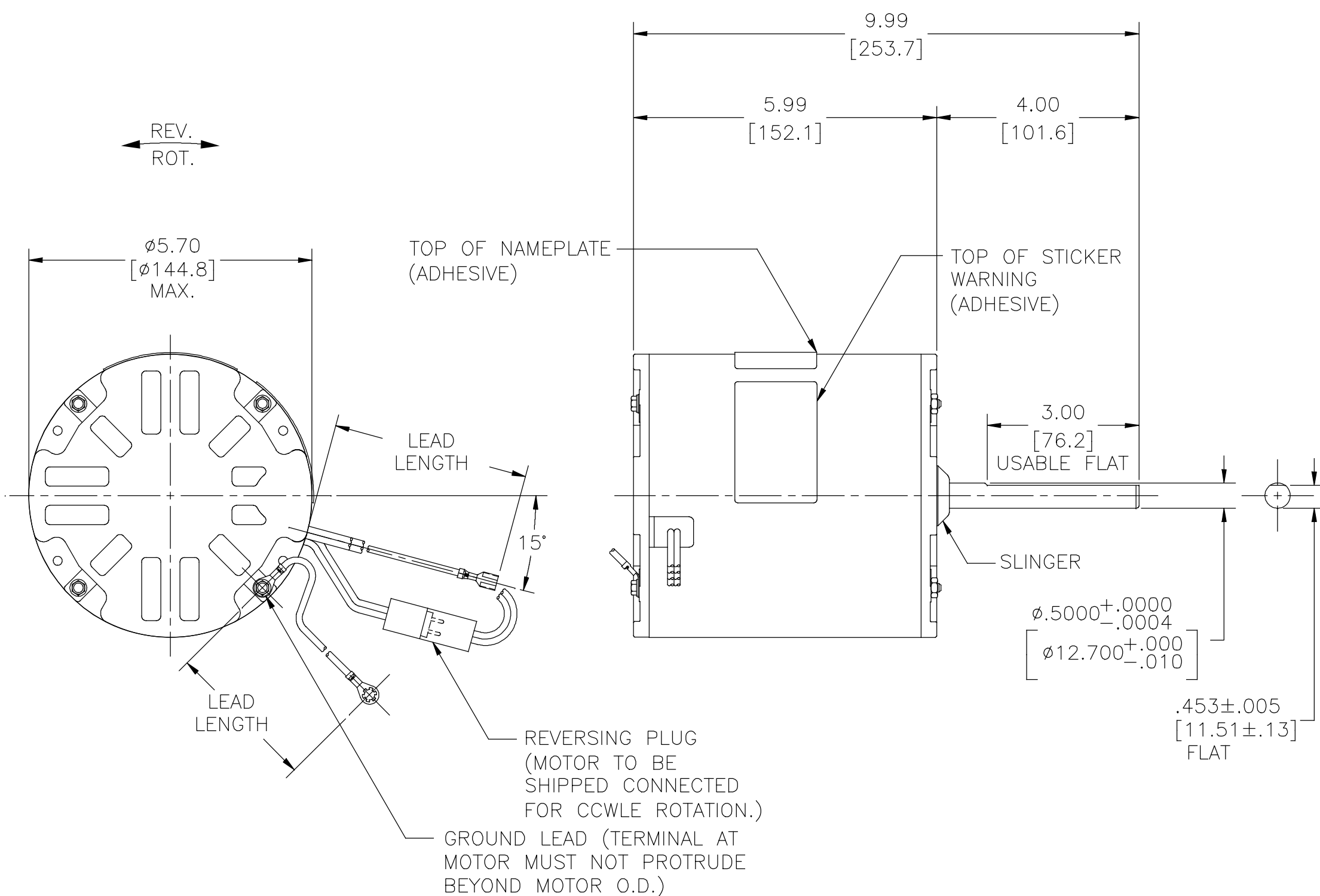
ELECTRICAL DATA:

OVERLOAD PROTECTOR: AUTOMATIC RESET (T.I. 7AM 036)

LEADS: NO. 16 GA., .06 [1.5] THK. PVC 105°C INSUL.

REVERSING PLUGS: NO. 16 GA., .03 [.8] THK. XLP 125°C INSUL.

GROUND LEAD: NO. 16 GA., .03 [.8] THK. (GREEN) INSUL.



| NAMEPLATE DATA: | EXTERNAL CONNECTION DIAGRAM |
|---|-----------------------------|
| MODEL NO.: F48G29A01 CUST. P/N: F1076SV1 HP: 3/4 ROT.: REVERSIBLE RPM: 1075 TYPE: UF FRAME: 48Y VOLTS: 208-230 PH: 1 AMPS: 5.3 HZ: 60 INS.: B AMB.: 60° C DUTY: AIR OVER CAP.: 12.5 MFD/370 V ENCL: SEMI-ENCL. UL LOGO CSA LOGO THERMALLY PROTECTED | |

| COLOR | LENGTH | TERMINAL OR STRIP LENGTH |
|----------------|------------------------|--------------------------|
| GREEN (GROUND) | 9.0/10.0 [229/254] | #10 EYELET |
| BLACK/WHITE | 3.0/5.0 [76/127] | REVERSING PLUG |
| BROWN | 96.0/100.0 [2438/2540] | .25 [6.4] FEMALE SPADE |
| BROWN/WHITE | 96.0/100.0 [2438/2540] | .25 [6.4] FEMALE SPADE |
| WHITE | 96.0/100.0 [2438/2540] | .25 [6.4] FEMALE SPADE |
| BLACK | 96.0/100.0 [2438/2540] | .25 [6.4] FEMALE SPADE |

REGAL-BELOIT CORPORATION (RBC) PROVIDES TECHNICAL ASSISTANCE TO OUR CUSTOMERS IN SEVERAL AREAS. SINCE RBC DOES NOT RECEIVE ALL DATA CONCERNING THE USE AND APPLICATION OF THE MOTOR, THE SUITABILITY OF THE MOTOR FOR THE APPLICATION MUST BE DETERMINED BY THE CUSTOMER.

DIMENSIONS WITHOUT TOLERANCES ARE FOR REFERENCE ONLY.

| | |
|------------------|----------|
| MAIN FRAME - OLE | ENCLOSED |
| END FRAME - OLE | ENCLOSED |
| MAIN FRAME - LE | ENCLOSED |
| END FRAME - LE | OPEN |

| | |
|----------|----------------------|
| CUSTOMER | DISTRIBUTION SERVICE |
|----------|----------------------|

| PERFORMANCE CURVE NO. | TORQUE @ 1075 RPM (25°C) | APPROVED SAMPLE | UL COMPONENT FILE # | CCN # | CSA FILE # | CLASS # |
|-----------------------|--------------------------|-----------------|---------------------|-------|------------|---------|
| C31294 | 84.0 OZ. FT. | 95AC211C | E46412 | PRGY2 | LR43341 | 4211-01 |

| DRAWING REVISION | REVISION BY | DATE |
|------------------|-------------|------------|
| C | JERRY CHAI | 12-04-2018 |
| ECO | SARA HELTON | 12-04-2018 |

ECO-0157135
 SEE ECO

COPYRIGHT REGAL-BELOIT AMERICA, INC. ALL RIGHTS RESERVED. PROPRIETARY AND CONFIDENTIAL INFORMATION - THIS DOCUMENT IS THE PROPERTY OF REGAL-BELOIT AMERICA, INC. (OWNER) AND CONTAINS OWNER'S PROPRIETARY INFORMATION. ANY PERSON, CORPORATION OR OTHER FIRM RECEIVING IT IS DEEMED, BY RECEIVING IT, TO AGREE THAT IT, AND/OR ANY PART OF IT, SHALL NOT BE DISCLOSED TO ANY PERSON, CORPORATION OR OTHER ENTITY, DUPLICATED, AND/OR USED, EXCEPT AS EXPRESSLY APPROVED IN WRITING IN ADVANCE BY OWNER. THIS DOCUMENT SHALL BE RETURNED TO OWNER UPON REQUEST. IT MAY BE SUBJECT TO CERTAIN RESTRICTIONS UNDER APPLICABLE EXPORT CONTROL LAWS AND REGULATIONS.

DRAWN BY: CADDIE.ZHOU
 DATE: 06-07-2018
 APPROVED BY: SARA.HELTON
 DATE: 06-07-2018
 PROCESS/FINISH: -

REGAL Regal Beloit America, Inc.
 DESCRIPTION: MODEL-RFHP-48FR OUTLINE
 MATERIAL: -

THIRD ANGLE PROJECTION
 SIZE DWG NO: C F1076SV1
 SHEET: 1



NOTES:

1. FOR USE WITH 614129 NAMEPLATE BLANK
2. — — — — — INDICATES DIMENSION LIMITS
3. DIE TO BE MADE FROM MASTER SUPPLIED BY REGAL REXNORD CORPORATION
4. DIE MUST PRODUCE A LEGIBLE IMPRESSION.

| | | |
|-----------------------|--------------------------|--------------------|
| DRAWING REVISION H | REVISION BY J. RUPERT | DATE 03-16-2022 |
| ECO NMR-0213140 | APPROVED BY J. RUPERT | DATE 03-16-2022 |

ECO DESCRIPTION
REVISED FOR UP ISSUED

COPYRIGHT REGAL BELOIT AMERICA, INC. ALL RIGHTS RESERVED. PROPRIETARY AND CONFIDENTIAL INFORMATION - THIS DOCUMENT IS THE PROPERTY OF REGAL BELOIT AMERICA, INC. ("OWNER") AND CONTAINS OWNER'S PROPRIETARY INFORMATION. ANY PERSON, CORPORATION OR OTHER FIRM RECEIVING IT IS DEEMED, BY RECEIVING IT, TO AGREE THAT IT, AND/OR ANY PART OF IT, SHALL NOT BE DISCLOSED TO ANY PERSON, CORPORATION OR OTHER ENTITY, DUPLICATED, AND/OR USED, EXCEPT AS EXPRESSLY APPROVED IN WRITING IN ADVANCE BY OWNER. THIS DOCUMENT SHALL BE RETURNED TO OWNER UPON REQUEST. IT MAY BE SUBJECT TO CERTAIN RESTRICTIONS UNDER APPLICABLE EXPORT CONTROL LAWS AND REGULATIONS.

| | | | |
|---|---------|-----------|-------|
| TOLERANCES UNLESS OTHERWISE SPECIFIED | | | |
| DEC. | INCH | mm | ANGLE |
| .X | ±0.1 | [±2.5] | ±0.5° |
| .XX | ±0.02 | [±0.51] | |
| .XXX | ±0.005 | [±0.127] | |
| .XXXX | ±0.0005 | [±0.0127] | |
| REMOVE BURRS & BREAK SHARP EDGES .003/.015 [0.076/.381] X 45° | | | |
| CORNER FILLETS R.02 [.51] | | | |
| MACHINED SURFACES | | | |
| | INCH | mm | |
| | 125 | 3.2 | |
| mm SHOWN IN [BRACKETS] | | | |

| | |
|------------------------|--|
| DRAWN BY: YL | |
| DATE: 04-15-2011 | |
| APPROVED BY: HZ | |
| DATE: 04-15-2011 | |
| REFERENCE | |
| THIRD ANGLE PROJECTION | |

| | |
|---|------------------|
| Regal Beloit America, Inc. | |
| DESCRIPTION CONNECTION DIAGRAM EXTERNAL | |
| MATERIAL | PROCESS/FINISH |
| SIZE A | DWG NO 4 of 4 |
| 614131-242 | |
| SHEET 1 | |