

PRODUCT INFORMATION PACKET



Model No: F246

Catalog No: F246

Fan and Blower Motor, 1/2-.14 HP, 1 Ph, 60 Hz, 115 V, 1800 RPM, K56 Frame, DP



Regal and Century are trademarks of Regal Rexnord Corporation or one of its affiliated companies.

©2023 Regal Rexnord Corporation, All Rights Reserved. MC017097E





Nameplate Specifications

Phase	1	Output HP	1/2-.14 Hp
Output KW	0.37 kW	Voltage	115 V
Speed	1725/1140 rpm	Service Factor	1.25
Frame	K56	Enclosure	Drip Proof
Thermal Protection	Thermally Protected	Ambient Temperature	40 °C
Frequency	60 Hz	Current	6.8/3.8 A
Duty	Continuous	Insulation Class	A
UL	Recognized	CSA	Y
CE	N	Number of Speeds	2

Technical Specifications

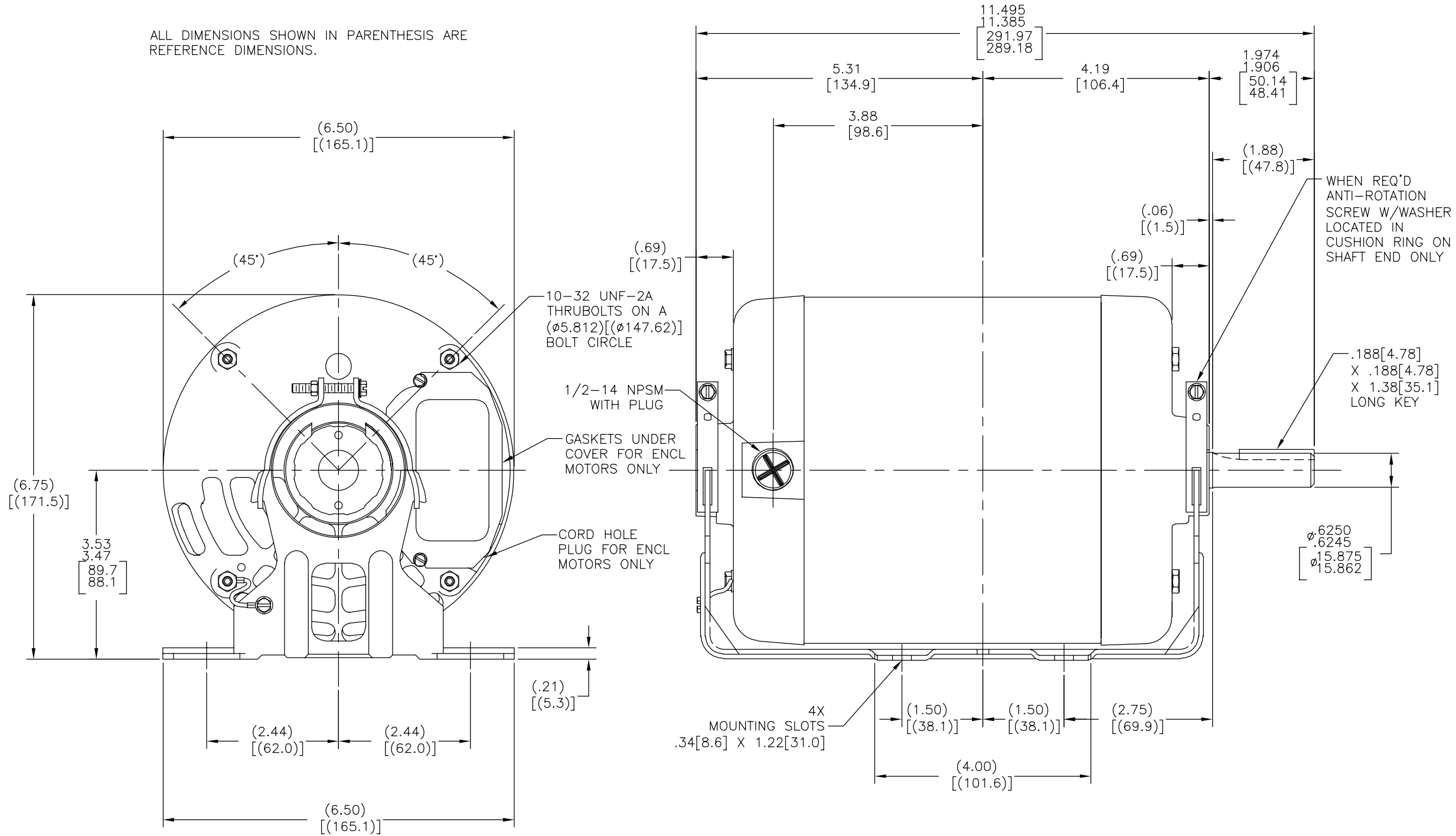
Electrical Type	Split Phase, Induction Run, Multi-Speed	Starting Method	Across The Line
Poles	4/6	Rotation	Reversible Counterclockwise
Mounting	Cushion Base	Drive End Bearing	Sleeve
Opp Drive End Bearing	Sleeve	Frame Material	Rolled Steel
Shaft Type	Keyed	Overall Length	11.49 in
Frame Length	5.50 in	Shaft Diameter	0.625 in
Shaft Extension	1.97 in		
Connection Drawing	17050311.PCX	Outline Drawing	F246-S01

This is an uncontrolled document once printed or downloaded and is subject to change without notice. Date Created:08/24/2023

FRAME	TYPE
K56	SPM

REV	ECO	REV BY	DATE	APPD	DATE
T	ECO-0025059	J. COX	11-20-2012	C. McREYNOLDS	11-20-2012

ALL DIMENSIONS SHOWN IN PARENTHESIS ARE REFERENCE DIMENSIONS.



GEOMETRIC CHARACTERISTICS & SYMBOLS

- ▭ FLATNESS
- STRAIGHTNESS
- ∠ ANGULARITY
- ⊥ PERPENDICULARITY (SQUARENESS)
- ∥ PARALLELISM
- ROUNDNESS (CIRCULARITY)
- ⊘ CYLINDRICITY
- △ PROFILE OF ANY SURFACE
- ∩ PROFILE OF ANY LINE
- ↗ RUNOUT
- ⊕ TRUE POSITION
- ◎ CONCENTRICITY
- ≡ SYMMETRY

ASME Y14.5M 1994

UNLESS OTHERWISE SPECIFIED DIM. TOLERANCES ARE AS FOLLOWS:

INCH X XX XXX XXXX
 mm ±0.5 ±0.13 ±0.013

ANG. ±.50 DEG
 REMOVE BURRS & BREAK SHARP EDGES:
 INCH .003-.015 mm 0.1-0.4

CORNER FILLETS TO:
 INCH .020 mm 0.5

MACHINE SURFACES:
 INCH 125 mm 3.2

METRIC DIMS. SHOWN IN [BRACKETS]

DR BY:	KAISES	03-04-1965
APPD:		
THIRD ANGLE PROJECTION	EDS DATE 11-11-2011	FORMAT REV H
CONFIDENTIAL: THIS DRAWING AND ITS INFORMATION ARE THE EXCLUSIVE AND CONFIDENTIAL PROPERTY OF REGAL-BELOIT CORPORATION AND ARE NOT TO BE DISCLOSED, DUPLICATED, DISTRIBUTED OR OTHERWISE USED WITHOUT THE WRITTEN CONSENT OF REGAL-BELOIT CORPORATION. -ALL RIGHTS RESERVED.		

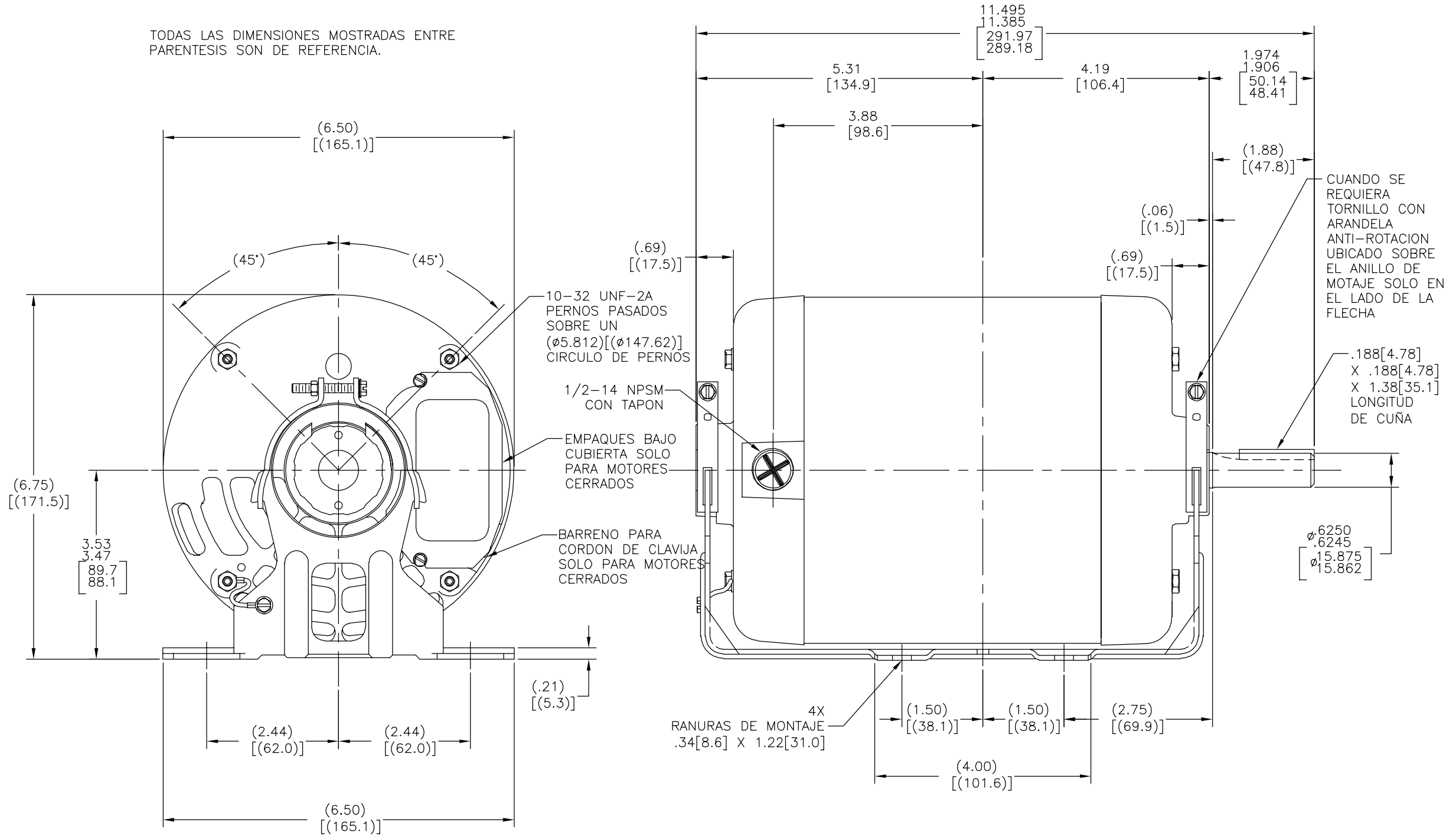
REGAL REGAL-BELOIT CORPORATION	
DESCRIPTION	
MODEL-CFHP-56FR OUTLINE	
SIZE	DWG NO
C	F246
SCALE	SHEET
NONE	1

4 3 2 1

K56	SPM
-----	-----

REVISION:	ECO	REVISADO POR:	FECHA:	APROBADO POR:	FECHA:
T	ECO-0025059	J. COX	11-20-2012	C. McREYNOLDS	11-20-2012

TODAS LAS DIMENSIONES MOSTRADAS ENTRE PARENTESIS SON DE REFERENCIA.



CARACTERISTICAS DE GEOMETRIA Y SIMBOLOS ▽ PLANICIDAD — RECTITUD ∠ ANGULARIDAD ⊥ PERPENDICULARIDAD (A ESCUADRA) // PARALELISMO ○ REDONDEZ (CIRCULARIDAD) ∅ CILINDRICIDAD △ PERFIL DE CUALQUIER SUPERFICIE ∇ PERFIL DE CUALQUIER LINEA ↗ VARIACION ⊕ POSICION REAL ⊙ CONCENTRICIDAD = SIMETRIA	A MENOS QUE SE ESPECIFIQUE DE OTRA MANERA, LAS TOLERANCIAS DE LAS DIMS; SON LAS SIGUIENTES: PULG ±.1 ±.02 ±.005 ±.0005 mm ±0.5 ±0.13 ±0.013 ANG. ± 50 GRADOS ELIMINAR REBABAS Y ORILLAS FILOSAS DEL BORDE. PULG .003-.015 mm 0.1-0.4 FILETEAR ESQUINA: PULG .020 mm 0.5 MAQUINAR SUPERFICIES PULG 125 mm 3.2	DIBUJADO POR: KAISES	03-04-1965	REGAL REGAL-BELOIT CORPORATION DESCRIPCION: MODEL-CFHP-56FR OUTLINE TAMAÑO: C NUMERO DE DIBUJO: F246 ESCALA: NONE HOJA: 1
		APROBADO POR: TERCER ANGULO DE PROYECCION	FECHA EDS: 11-11-2011 REV. FORMATO: H	

4 3 2 1