

PRODUCT INFORMATION PACKET



Model No: F269
Catalog No: F269

Convection Oven Motor, 3/4 HP, 1 Ph, 60 Hz, 115/230 V, 1800 RPM, A56Y Frame, DP



Regal and Century are trademarks of Regal Rexnord Corporation or one of its affiliated companies.
©2023 Regal Rexnord Corporation, All Rights Reserved. MC017097E





Nameplate Specifications

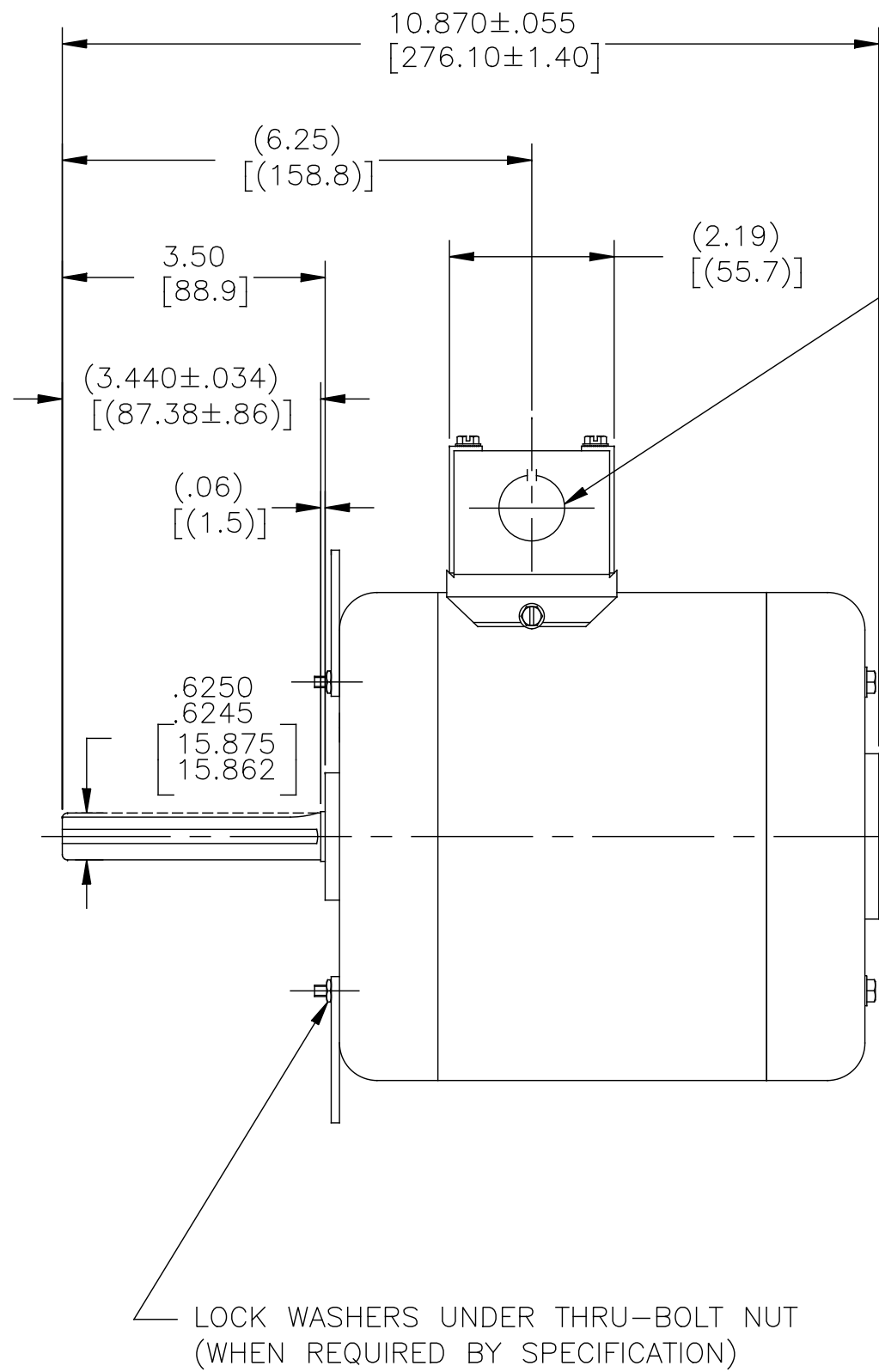
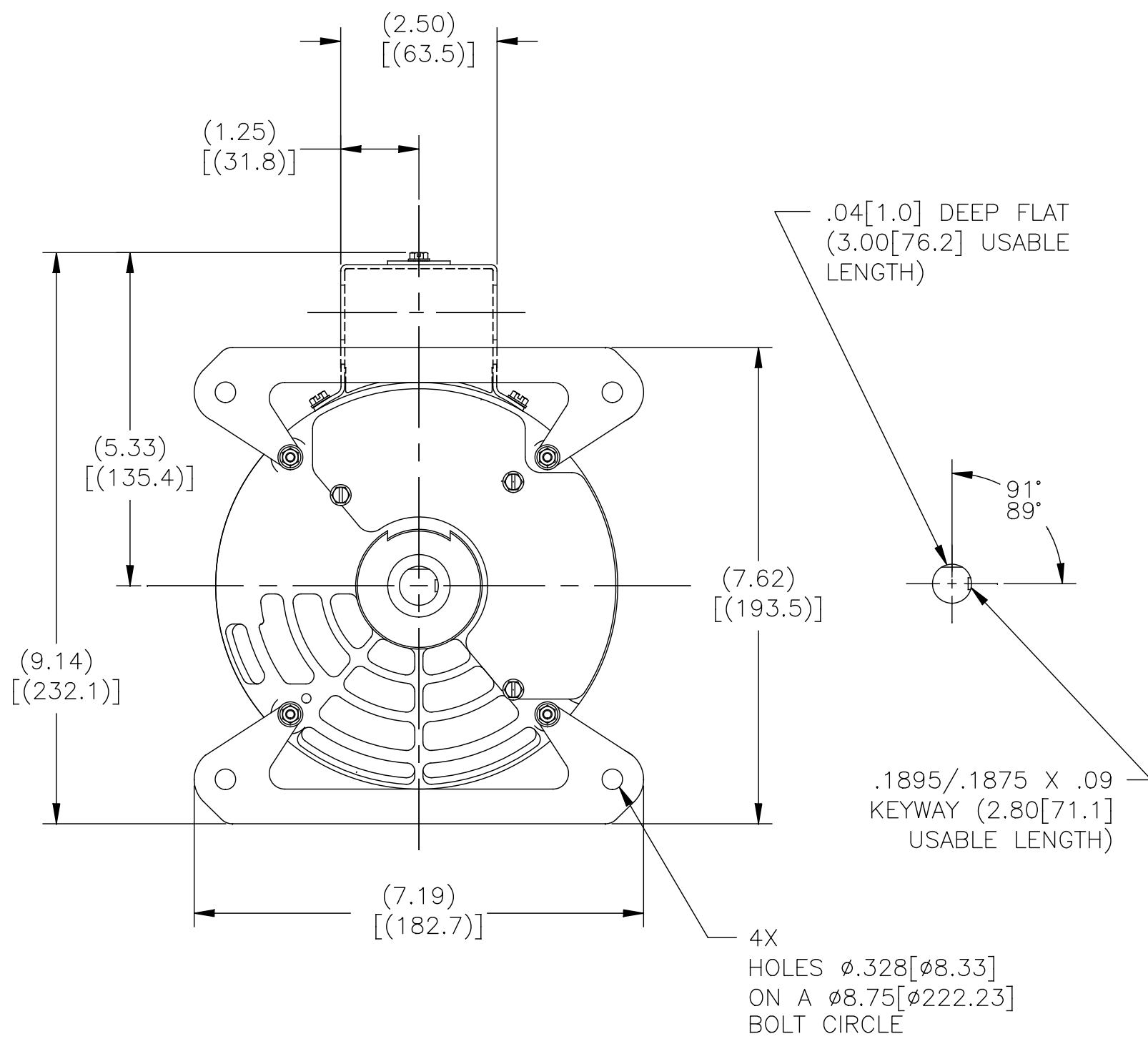
Output HP	3/4 Hp	Output KW	0.56 kW
Frequency	60 Hz	Voltage	115/230 V
Current	9.6/4.8 A	Speed	1725 rpm
Service Factor	1	Phase	1
Duty	Continuous	Insulation Class	B
Frame	A56Y	Enclosure	Drip Proof
Thermal Protection	Thermally Protected	Ambient Temperature	60 °C
UL	Recognized	CSA	Y
CE	N	Number of Speeds	1

Technical Specifications

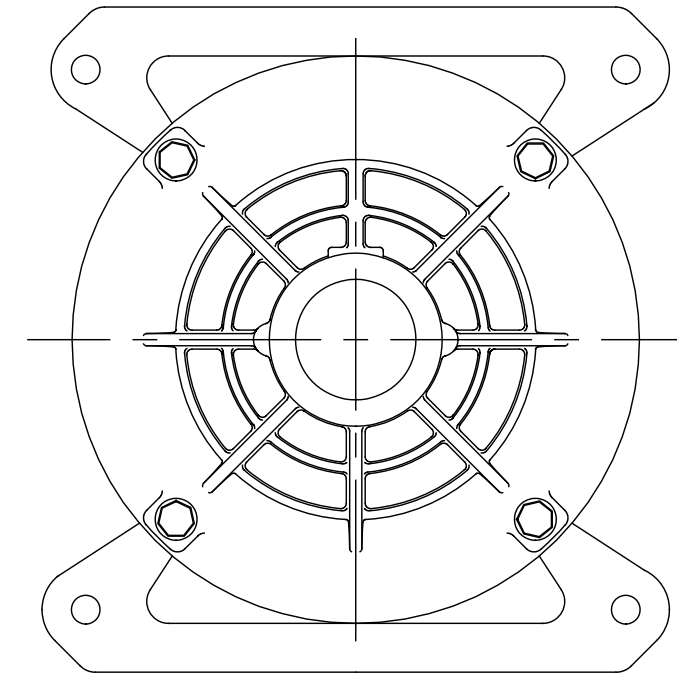
Electrical Type	Split Phase, Induction Run, Single Or Dual Voltage	Starting Method	Across The Line
Poles	4	Rotation	Reversible Clockwise
Mounting	Round	Drive End Bearing	Ball
Opp Drive End Bearing	Ball	Frame Material	Rolled Steel
Shaft Type	Keyed	Overall Length	10.87 in
Frame Length	4.38 in	Shaft Diameter	0.625 in
Shaft Extension	3.5 in		
Outline Drawing	F269-S01	Connection Drawing	17050813.PCX

This is an uncontrolled document once printed or downloaded and is subject to change without notice. Date Created:03/13/2023

ALL DIMENSIONS SHOWN IN PARENTHESIS ARE REFERENCE DIMENSIONS.



3X ϕ .875[ϕ 22.23] KNOCKOUTS ONE ON EACH SIDE AND ONE ON TOP



NOTES:
 1. "PROOFING SWITCH INCLUDED"

TYPE	FRAME
SP	H56Y

DRAWING REVISION D	REVISION BY A. LITTLEJOHN	DATE 08-09-2016	TOLERANCES UNLESS OTHERWISE SPECIFIED DEC. INCH mm ANGLE .X ±0.1 [±2.5] ±0.5° .XX ±0.02 [±0.51] .XXX ±0.005 [±0.127] .XXXX ±0.0005 [±0.0127]	DRAWN BY: J. RAMIREZ	Regal Beloit America, Inc.
ECO 0098983	APPROVED BY J. HESS	DATE 08-12-2016	REMOVE BURRS & BREAK SHARP EDGES .003/.015 [.076/.381] CORNER FILLETS .02 [.51] MACHINED SURFACES 125/3.2/3.2 mm SHOWN IN [BRACKETS]	DATE: 03-18-2011	
ECO DESCRIPTION THRU-BOLT CHANGE				APPROVED BY: S. JIMENEZ	DESCRIPTION OUTLINE
COPYRIGHT REGAL BELOIT AMERICA, INC. ALL RIGHTS RESERVED. PROPRIETARY AND CONFIDENTIAL INFORMATION - THIS DOCUMENT IS THE PROPERTY OF REGAL BELOIT AMERICA, INC. (OWNER) AND CONTAINS OWNER'S PROPRIETARY INFORMATION. ANY PERSON, CORPORATION OR OTHER FIRM RECEIVING IT IS DEEMED, BY RECEIVING IT, TO AGREE THAT IT, AND/OR ANY PART OF IT, SHALL NOT BE DISCLOSED TO ANY PERSON, CORPORATION OR OTHER ENTITY, DUPLICATED, AND/OR USED, EXCEPT AS EXPRESSLY APPROVED IN WRITING IN ADVANCE BY OWNER. THIS DOCUMENT SHALL BE RETURNED TO OWNER UPON REQUEST. IT MAY BE SUBJECT TO CERTAIN RESTRICTIONS UNDER APPLICABLE EXPORT CONTROL LAWS AND REGULATIONS.				DATE: 03-18-2011	MATERIAL
				REFERENCE	PROCESS/FINISH
				THIRD ANGLE PROJECTION	SIZE DWG NO C F269
					SHEET 1