

# PRODUCT INFORMATION PACKET



Model No: F390  
Catalog No: F390

Fan and Blower Motor, 1/3-.09 HP, 1 Ph, 60 Hz, 115 V, 1800 RPM, J56 Frame, DP



Regal and Century are trademarks of Regal Rexnord Corporation or one of its affiliated companies.  
©2023 Regal Rexnord Corporation, All Rights Reserved. MC017097E





### Nameplate Specifications

Output HP	1/3-.09 Hp	Output KW	0.25 kW
Frequency	60 Hz	Voltage	115 V
Current	5.0/3.0 A	Speed	1725/1140 rpm
Service Factor	1.35	Phase	1
Duty	Continuous	Insulation Class	B
Frame	J56	Enclosure	Drip Proof
Thermal Protection	Thermally Protected	Ambient Temperature	40 °C
UL	Recognized	CSA	Y
CE	N	Number of Speeds	2-2-VT

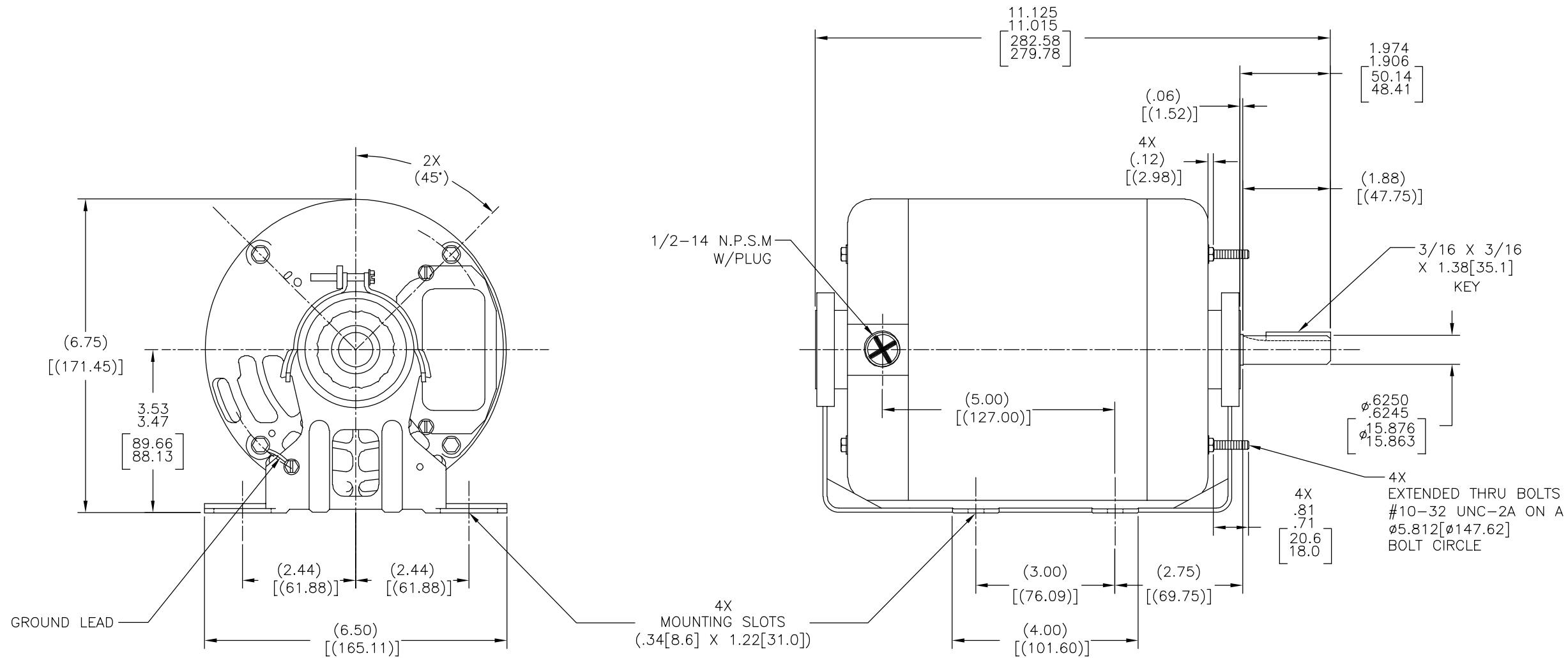
### Technical Specifications

Electrical Type	Split Phase, Induction Run, Multi-Speed	Starting Method	Across The Line
Poles	4/6	Rotation	Reversible Counterclockwise
Mounting	Cushion Base	Drive End Bearing	Ball
Opp Drive End Bearing	Ball	Frame Material	Rolled Steel
Shaft Type	Keyed	Overall Length	11.13 in
Frame Length	5.13 in	Shaft Diameter	0.625 in
Shaft Extension	1.974 in		
Connection Drawing	17050311.PCX	Outline Drawing	F390-S01

This is an uncontrolled document once printed or downloaded and is subject to change without notice. Date Created:02/02/2023

FRAME	TYPE
J56	SPM

REV	ECO	REV BY	DATE	APPD	DATE
P	ECO-0021386	J. COX	04-11-2011	M. RAMIREZ	04-11-2011



GEOMETRIC CHARACTERISTICS & SYMBOLS

- ▭ FLATNESS
- STRAIGHTNESS
- ∠ ANGULARITY
- ⊥ PERPENDICULARITY (SQUARENESS)
- // PARALLELISM
- ROUNDNESS (CIRCULARITY)
- ⊘ CYLINDRICITY
- △ PROFILE OF ANY SURFACE
- ∧ PROFILE OF ANY LINE
- ↗ RUNOUT
- ⊕ TRUE POSITION
- ◎ CONCENTRICITY
- ≡ SYMMETRY

ASME Y14.5M 1994

UNLESS OTHERWISE SPECIFIED  
DIM. TOLERANCES ARE AS FOLLOWS:

INCH X XX XXX XXXX  
mm ±0.5 ±0.13 ±0.013

ANG. ±.50 DEG  
REMOVE BURRS & BREAK SHARP EDGES:  
INCH .003-.015 mm 0.1-0.4

CORNER FILLETS TO:  
INCH .020 mm 0.5

MACHINE SURFACES:  
INCH 125 mm 3.2

METRIC DIMS. SHOWN IN [BRACKETS]

DR BY:	REX	08-16-1989
APPD:	MLC	08-16-1989
THIRD ANGLE PROJECTION	⊕	EDS DATE 11-11-2011 FORMAT REV G
CONFIDENTIAL: THIS DRAWING AND ITS INFORMATION ARE THE EXCLUSIVE AND CONFIDENTIAL PROPERTY OF REGAL-BELOIT CORPORATION AND ARE NOT TO BE DISCLOSED, DUPLICATED, DISTRIBUTED OR OTHERWISE USED WITHOUT THE WRITTEN CONSENT OF REGAL-BELOIT CORPORATION. -ALL RIGHTS RESERVED.		

DESCRIPTION	
MODEL-CFHP-56FR OUTLINE	
SIZE	DWG NO
C	F390
SCALE	SHEET
NONE	1

4

3

2

1

J56	SPM
-----	-----

REVISION:	ECO	REVISADO POR:	FECHA:	APROBADO POR:	FECHA:
P	ECO-0021386	J. COX	04-11-2011	M. RAMIREZ	04-11-2011

D

D

C

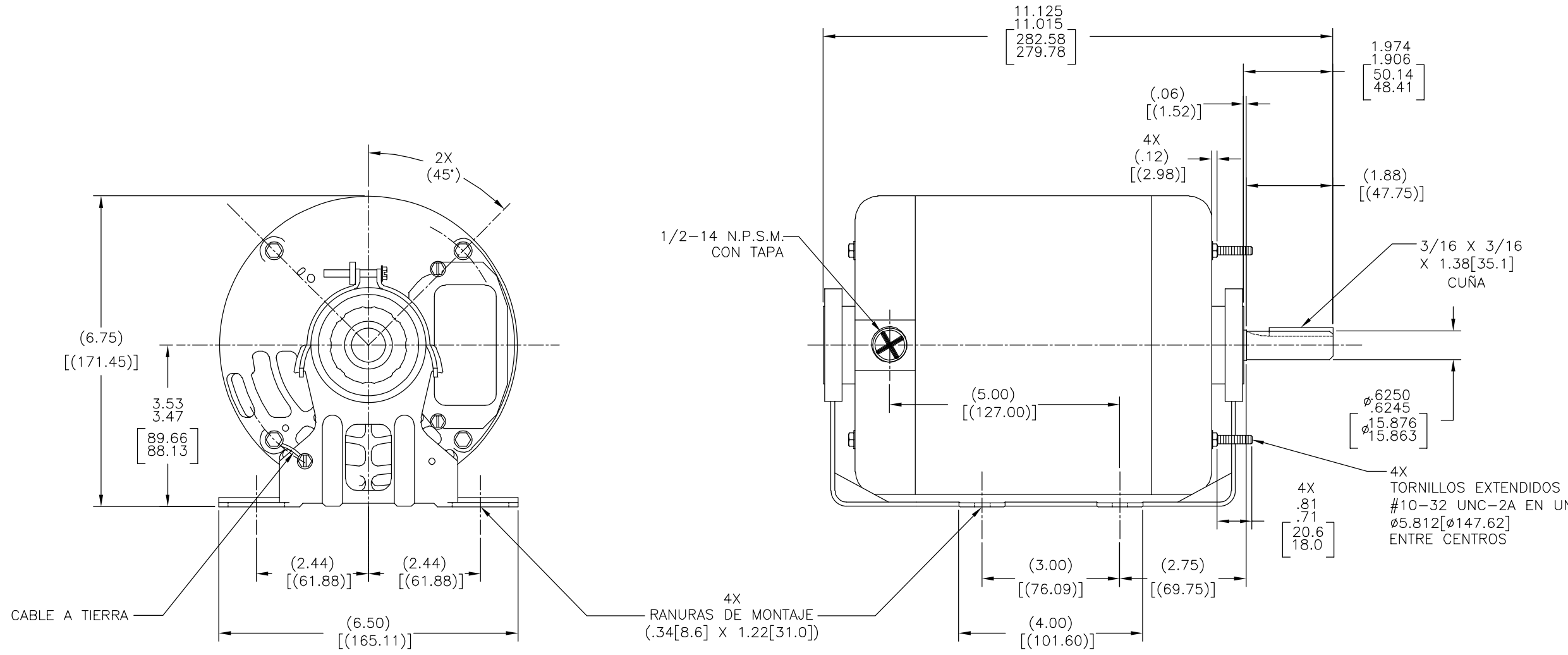
C

B

B

A

A



<p>CARACTERISTICAS DE GEOMETRIA Y SIMBOLOS</p> <ul style="list-style-type: none"> <li>□ PLANICIDAD</li> <li>- RECTITUD</li> <li>∠ ANGULARIDAD</li> <li>⊥ PERPENDICULARIDAD (A ESCUADRA)</li> <li>// PARALELISMO</li> <li>○ REDONDEZ (CIRCULARIDAD)</li> <li>⊘ CILINDRICIDAD</li> <li>△ PERFIL DE CUALQUIER SUPERFICIE</li> <li>∧ PERFIL DE CUALQUIER LINEA</li> <li>∩ VARIACION</li> <li>⊕ POSICION REAL</li> <li>◎ CONCENTRICIDAD</li> <li>= SIMETRIA</li> </ul>	<p>ASME Y14.5M 1994</p>
---	-------------------------

<p>A MENOS QUE SE ESPECIFIQUE DE OTRA MANERA, LAS TOLERANCIAS DE LAS DIMS; SON LAS SIGUIENTES:</p> <p>PULG ±.1 ±.02 ±.005 ±.0005 mm ±0.5 ±0.13 ±0.013</p> <p>ANG. ± 50 GRADOS</p> <p>ELIMINAR REBABAS Y ORILLAS FILOSAS DEL BORDE.</p> <p>PULG .003-.015 mm 0.1-0.4</p> <p>FILETEAR ESQUINA: PULG .020 mm 0.5</p> <p>MAQUINAR SUPERFICIES</p> <p>PULG 125 mm 3.2</p>	<p>DIMS METRICAS MOSTRADAS [PARENTESIS]</p>
--	---

DIBUJADO POR:	REX	08-16-1989
APROBADO POR:	MLC	08-16-1989
TERCER ANGULO DE PROYECCION		FECHA EDS: 11-11-2011 REV. FORMATO: G
<p>CONFIDENCIAL: ESTE DIBUJO Y SU INFORMACION SON PROPIEDAD DE USO EXCLUSIVO Y CONFIDENCIAL DE REGAL-BELOIT CORPORATION. Y NO DEBERAN SER REVELADOS, DUPLICADOS, DISTRIBUIDOS O USARSE DE OTRA MANERA SIN EL CONSENTIMIENTO ESCRITO DE REGAL-BELOIT CORPORATION. -TODOS LOS DERECHOS RESERVADOS.</p>		

DESCRIPCION:	
MODEL-CFHP-56FR OUTLINE	
TAMAÑO: C	NUMERO DE DIBUJO: F390
ESCALA: NONE	HOJA: 1

4

3

2

1

4

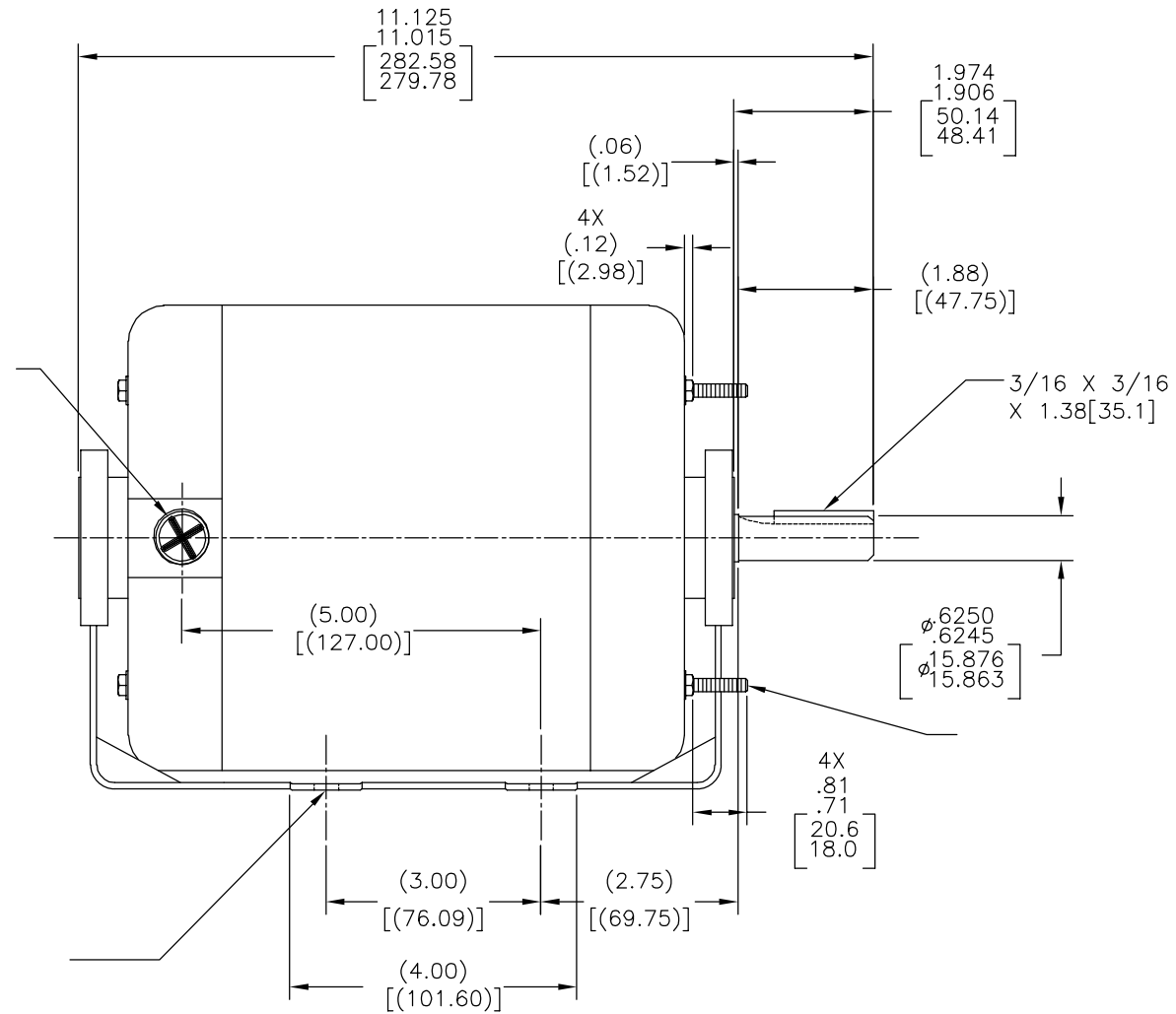
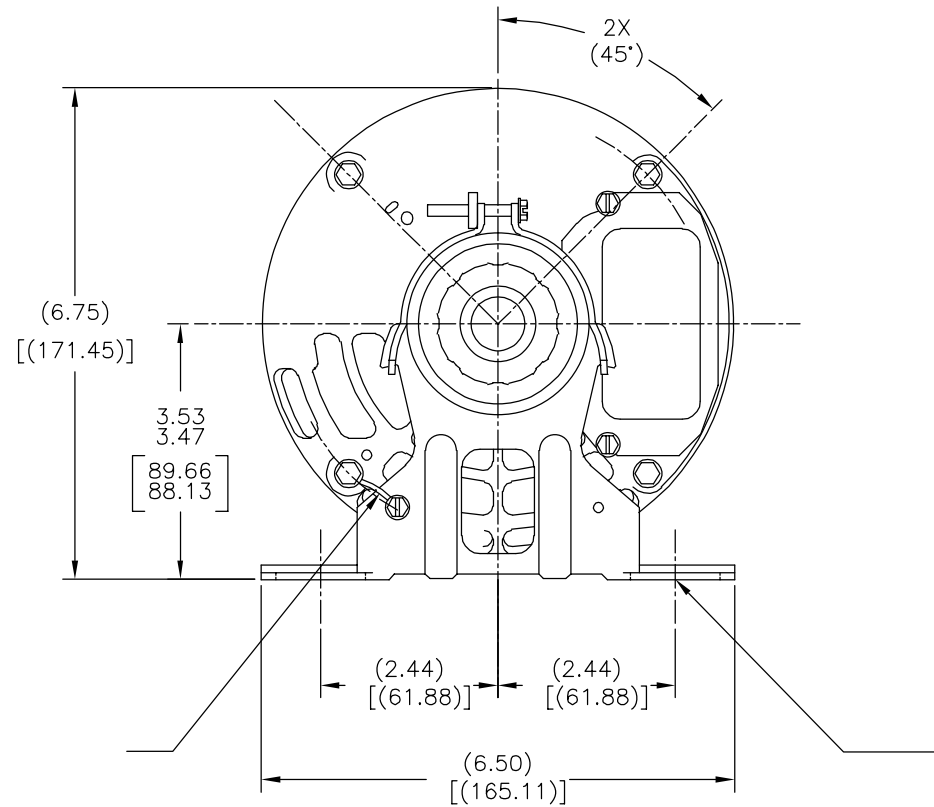
3

2

1

J56	SPM
-----	-----

版本	ECO	编制	日期	批准	日期
P	ECO-0021386	J. COX	04-11-2011	M. RAMIREZ	04-11-2011



形位公差	除另有注明
□ 平面度	尺寸公差如下:
— 直线度	英寸 X XX XXX XXXX
∠ 倾斜度	英寸 ±.1 ±.02 ±.005 ±.0005
⊥ 垂直度	毫米 ±0.5 ±0.13 ±0.013
// 平行度	角度 ±.50 度
○ 圆度	清理毛刺和尖棱
⊘ 圆柱度	英寸 .003-.015 毫米 0.1-0.4
△ 面轮廓度	内圆角
∩ 线轮廓度	英寸 .020 毫米 0.5
↗ 圆跳动	表面粗糙度
⊕ 位置度	英制 125 米制 3.2
◎ 同轴度	米制尺寸显示在 [ ]
≡ 对称度	

ASME Y14.5M 1994

绘图:	REX	08-16-1989
批准:	MLC	08-16-1989
第三角投影		图纸格式发布日期 11-11-2011 图纸格式版本 G
机密: 本图纸及相关信息所有权归REGAL-BELOIT CORPORATION 未经REGAL-BELOIT CORPORATION书面授权, 不得泄露、 复制、传播或作其他用途。—版权所有		



名称	MODEL-CFHP-56FR OUTLINE	
图幅	C	图号 F390
比例	NONE	页号 1

4

3

2

1