

PRODUCT INFORMATION PACKET



Model No: F403
Catalog No: F403
General Purpose Motor, 1/6 HP, 1 Ph, 60 Hz, 115 V, 1200 RPM, 56Z Frame, ODP



Regal and Century are trademarks of Regal Rexnord Corporation or one of its affiliated companies.
©2022 Regal Rexnord Corporation, All Rights Reserved. MC017097E





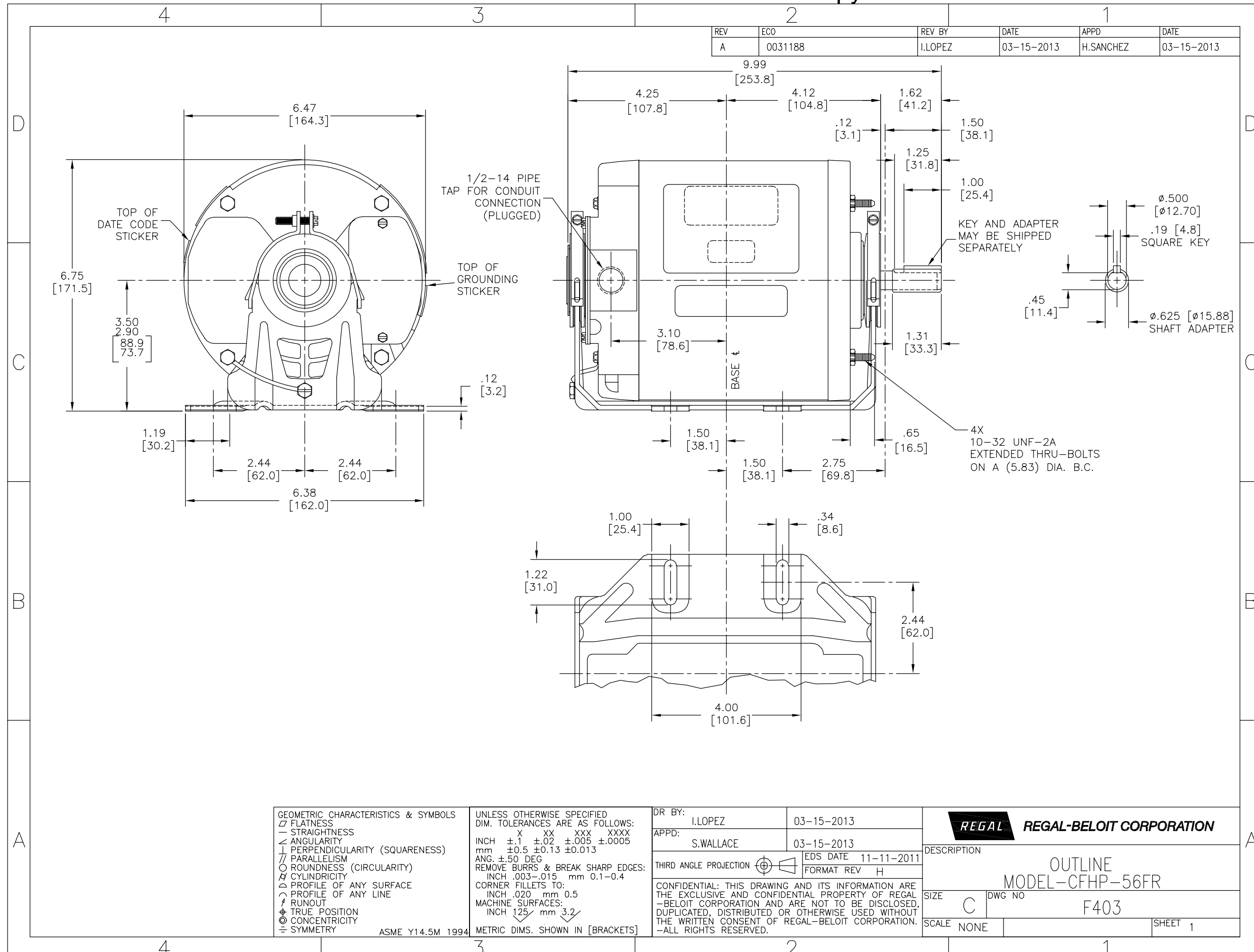
Nameplate Specifications

| | | | |
|--------------------|----------------------|---------------------|------------------------|
| Output HP | 1/6 Hp | Output KW | 0.13 kW |
| Frequency | 60 Hz | Voltage | 115 V |
| Current | 4.3 A | Speed | 1140 rpm |
| Service Factor | 1.35 | Phase | 1 |
| Duty | Continuous | Insulation Class | B |
| Frame | 56Z | Enclosure | Open Drip Proof |
| Thermal Protection | No Protection | Ambient Temperature | 40 °C |
| UL | Recognized | CSA | Y |
| CE | N | Number of Speeds | 1 |

Technical Specifications

| | | | |
|-----------------------|-----------------------|-------------------|-----------------------------------|
| Electrical Type | Split Phase | Starting Method | Across The Line |
| Poles | 6 | Rotation | Clockwise/Counterclockwise |
| Mounting | Resilient Base | Drive End Bearing | Sleeve |
| Opp Drive End Bearing | Sleeve | Frame Material | Rolled Steel |
| Shaft Type | Keyed | Overall Length | 9.99 in |
| Frame Length | 5.19 in | Shaft Diameter | 0.500 in |
| Shaft Extension | 1.50 in | | |
| Connection Drawing | 624000-C037 | Outline Drawing | F403-S01 |

This is an uncontrolled document once printed or downloaded and is subject to change without notice. Date Created:11/29/2022



| REV | ECO | REV BY | DATE | APPD | DATE |
|-----|---------|---------|------------|-----------|------------|
| A | 0031188 | I.LOPEZ | 03-15-2013 | H.SANCHEZ | 03-15-2013 |

GEOMETRIC CHARACTERISTICS & SYMBOLS

- ▭ FLATNESS
- STRAIGHTNESS
- ∠ ANGULARITY
- ⊥ PERPENDICULARITY (SQUARENESS)
- // PARALLELISM
- ROUNDNESS (CIRCULARITY)
- ⊘ CYLINDRICITY
- △ PROFILE OF ANY SURFACE
- ⌒ PROFILE OF ANY LINE
- ↯ RUNOUT
- ⊕ TRUE POSITION
- ◎ CONCENTRICITY
- ≡ SYMMETRY

ASME Y14.5M 1994

UNLESS OTHERWISE SPECIFIED DIM. TOLERANCES ARE AS FOLLOWS:

| | | | | |
|------|------|-------|--------|--------|
| INCH | X | XX | XXX | XXXX |
| | ±.1 | ±.02 | ±.005 | ±.0005 |
| mm | ±0.5 | ±0.13 | ±0.013 | |

ANG. ±.50 DEG
REMOVE BURRS & BREAK SHARP EDGES:
INCH .003-.015 mm 0.1-0.4
CORNER FILLETS TO:
INCH .020 mm 0.5
MACHINE SURFACES:
INCH 125 mm 3.2

METRIC DIMS. SHOWN IN [BRACKETS]

DR BY: I.LOPEZ 03-15-2013

APPD: S.WALLACE 03-15-2013

THIRD ANGLE PROJECTION

EDS DATE 11-11-2011
FORMAT REV H

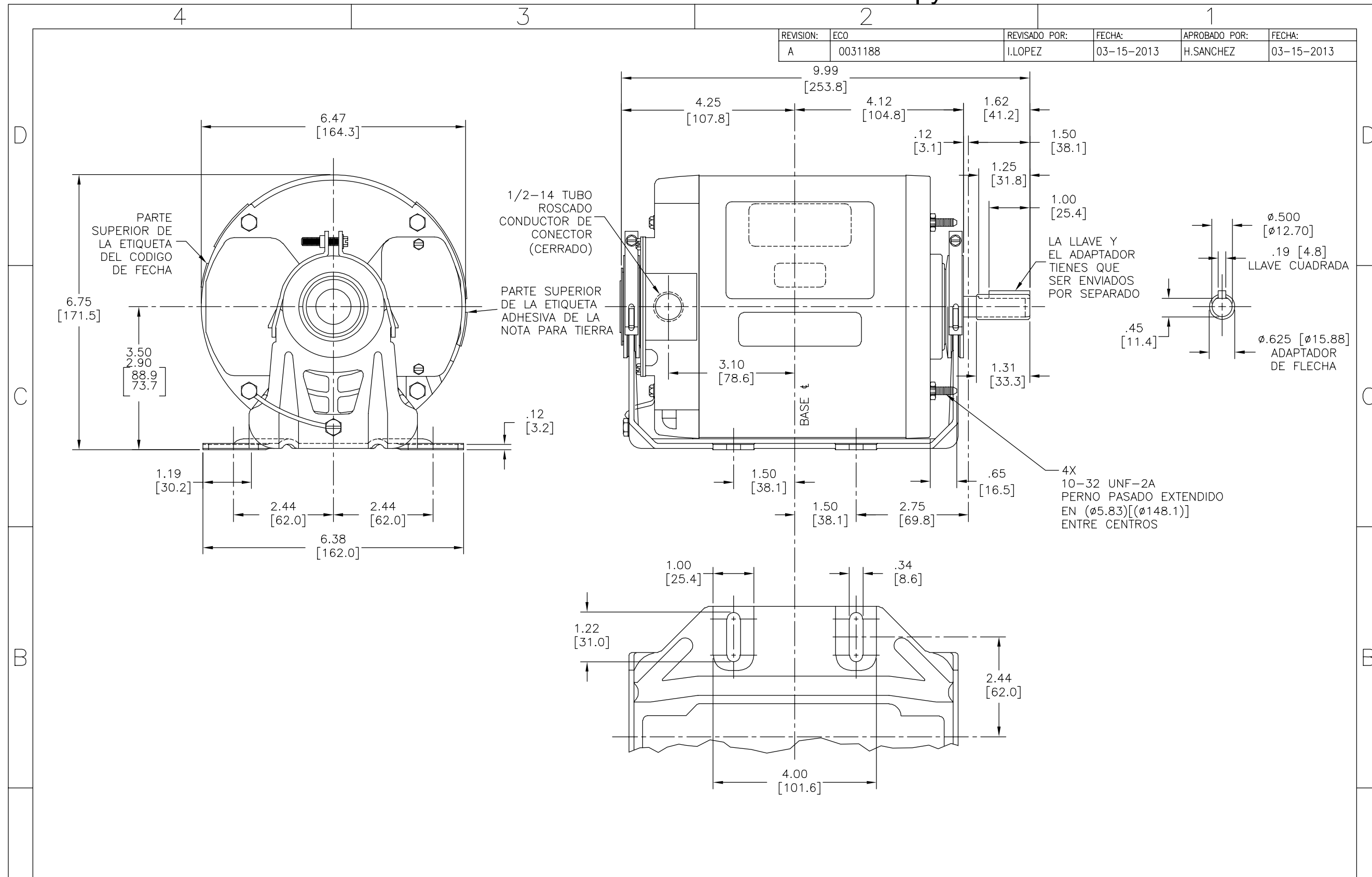
CONFIDENTIAL: THIS DRAWING AND ITS INFORMATION ARE THE EXCLUSIVE AND CONFIDENTIAL PROPERTY OF REGAL-BELOIT CORPORATION AND ARE NOT TO BE DISCLOSED, DUPLICATED, DISTRIBUTED OR OTHERWISE USED WITHOUT THE WRITTEN CONSENT OF REGAL-BELOIT CORPORATION. -ALL RIGHTS RESERVED.

REGAL REGAL-BELOIT CORPORATION

DESCRIPTION: **OUTLINE MODEL-CFHP-56FR**

SIZE: C DWG NO: F403

SCALE: NONE SHEET: 1



CARACTERISTICAS DE GEOMETRIA Y SIMBOLOS

- ▭ PLANICIDAD
- RECTITUD
- ∠ ANGULARIDAD
- ⊥ PERPENDICULARIDAD (A ESCUADRA)
- // PARALELISMO
- REDONDEZ (CIRCULARIDAD)
- ⊘ CILINDRICIDAD
- △ PERFIL DE CUALQUIER SUPERFICIE
- ▽ PERFIL DE CUALQUIER LINEA
- ∠ VARIACION
- ⊕ POSICION REAL
- ◎ CONCENTRICIDAD
- = SIMETRIA

ASME Y14.5M 1994

A MENOS QUE SE ESPECIFIQUE DE OTRA MANERA, LAS TOLERANCIAS DE LAS DIMS; SON LAS SIGUIENTES:

| | | | | |
|------|------|-------|--------|--------|
| | X | XX | XXX | XXXX |
| PULG | ±.1 | ±.02 | ±.005 | ±.0005 |
| mm | ±0.5 | ±0.13 | ±0.013 | |

ANG. ±.50 GRADOS
ELIMINAR REBABAS Y ORILLAS FILOSAS DEL BORDE.
PULG .003-.015 mm 0.1-0.4
FILETEAR ESQUINA: PULG .020 mm 0.5
MAQUINAR SUPERFICIES
PULG 125 mm 3.2

DIMS METRICAS MOSTRADAS [PARENTESIS]

| | | |
|---|-----------|--|
| DIBUJADO POR: | I.LOPEZ | 03-15-2013 |
| APROBADO POR: | S.WALLACE | 03-15-2013 |
| TERCER ANGULO DE PROYECCION | ⊕ | FECHA EDS: 11-11-2011 REV. FORMATO: H |
| CONFIDENCIAL: ESTE DIBUJO Y SU INFORMACION SON PROPIEDAD DE USO EXCLUSIVO Y CONFIDENCIAL DE REGAL-BELOIT CORPORATION. Y NO DEBERAN SER REVELADOS, DUPLICADOS, DISTRIBUIDOS O USARSE DE OTRA MANERA SIN EL CONSENTIMIENTO ESCRITO DE REGAL-BELOIT CORPORATION. -TODOS LOS DERECHOS RESERVADOS. | | |

| | |
|---------------------------------------|------------------------|
| REGAL REGAL-BELOIT CORPORATION | |
| DESCRIPCION: | |
| OUTLINE MODEL-CFHP-56FR | |
| TAMAÑO: C | NUMERO DE DIBUJO: F403 |
| ESCALA: NONE | HOJA: 1 |