

# PRODUCT INFORMATION PACKET



Model No: F420  
Catalog No: F420

General Purpose Motor, 1/3 HP, 1 Ph, 60 Hz, 115/230 V, 1200 RPM, 56 Frame, ODP



Regal and Century are trademarks of Regal Rexnord Corporation or one of its affiliated companies.  
©2023 Regal Rexnord Corporation, All Rights Reserved. MC017097E





**Nameplate Specifications**

Phase	1	Output HP	1/3 Hp
Output KW	0.25 kW	Voltage	115/230 V
Speed	1140 rpm	Service Factor	1.35
Frame	56	Enclosure	Open Drip Proof
Thermal Protection	No Protection	Ambient Temperature	40 °C
Frequency	60 Hz	Current	6.2/3.1 A
Duty	Continuous	Insulation Class	B
UL	Recognized	CSA	Y
CE	N	Number of Speeds	1

**Technical Specifications**

Electrical Type	Split Phase, Induction Run, Single Or Dual Voltage	Starting Method	Across The Line
Poles	6	Rotation	Clockwise/Counterclockwise
Mounting	Resilient Base	Drive End Bearing	Ball
Opp Drive End Bearing	Ball	Frame Material	Rolled Steel
Shaft Type	Keyed	Overall Length	11.44 in
Shaft Diameter	0.625 in	Shaft Extension	1.88 in
Outline Drawing	F420-S01	Connection Drawing	624000-C105

This is an uncontrolled document once printed or downloaded and is subject to change without notice. Date Created:08/24/2023

4

3

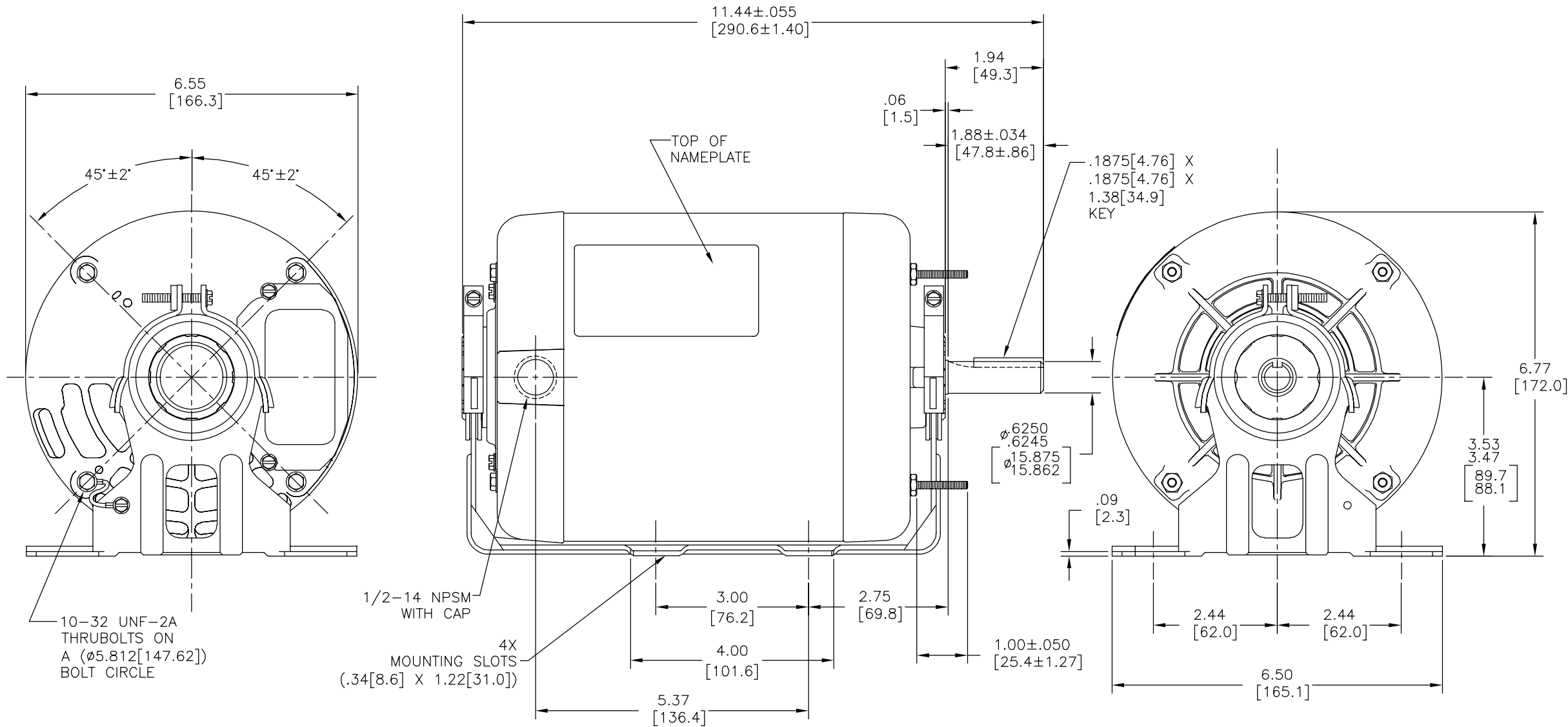
2

1

REV	ECO	REV BY	DATE	APPD	DATE
A	0030357	C.ZHANG	01-31-2013	T.ZHAO	01-31-2013

NOTES:

1. ALL DIMENSIONS SHOWN IN PARENTHESIS ARE REFERENCE DIMENSIONS.



MODEL NUMBER	PERFORMANCE CURVE
F420	C27059

GEOMETRIC CHARACTERISTICS & SYMBOLS

- ▭ FLATNESS
- STRAIGHTNESS
- ∠ ANGULARITY
- ⊥ PERPENDICULARITY (SQUARENESS)
- ∥ PARALLELISM
- ROUNDNESS (CIRCULARITY)
- ⊘ CYLINDRICITY
- △ PROFILE OF ANY SURFACE
- ∩ PROFILE OF ANY LINE
- ↯ RUNOUT
- ⊕ TRUE POSITION
- ◎ CONCENTRICITY
- ≡ SYMMETRY

ASME Y14.5M 1994

UNLESS OTHERWISE SPECIFIED DIM. TOLERANCES ARE AS FOLLOWS:

INCH	±.1	±.02	±.005	±.0005
mm	±0.5	±0.13	±0.013	

ANG. ±.50 DEG  
REMOVE BURRS & BREAK SHARP EDGES:  
INCH .003-.015 mm 0.1-0.4  
CORNER FILLETS TO:  
INCH .020 mm 0.5  
MACHINE SURFACES:  
INCH 125 mm 3.2

METRIC DIMS. SHOWN IN [BRACKETS]

DR BY: C.ZHANG 01-31-2013

APPD: T.ZHAO 01-31-2013

THIRD ANGLE PROJECTION

EDS DATE 11-11-2011  
FORMAT REV H

CONFIDENTIAL: THIS DRAWING AND ITS INFORMATION ARE THE EXCLUSIVE AND CONFIDENTIAL PROPERTY OF REGAL-BELOIT CORPORATION AND ARE NOT TO BE DISCLOSED, DUPLICATED, DISTRIBUTED OR OTHERWISE USED WITHOUT THE WRITTEN CONSENT OF REGAL-BELOIT CORPORATION. -ALL RIGHTS RESERVED.

**REGAL** REGAL-BELOIT CORPORATION

DESCRIPTION: MODEL-CFHP-56FR OUTLINE

SIZE C DWG NO F420

SCALE NONE SHEET 1

4

3

2

1

4

3

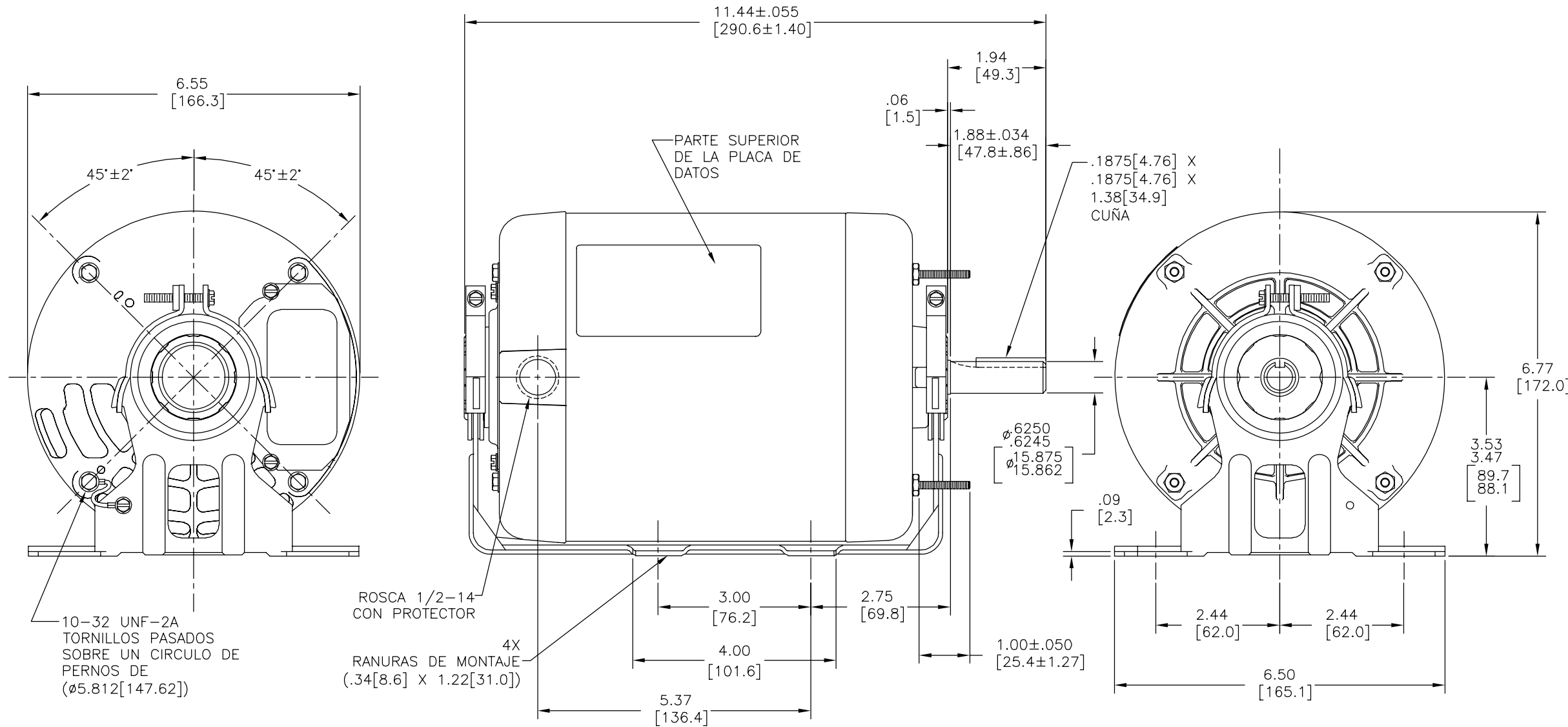
2

1

REVISION:	ECO	REVISADO POR:	FECHA:	APROBADO POR:	FECHA:
A	0030357	C.ZHANG	01-31-2013	T.ZHAO	01-31-2013

NOTAS:

1. TODAS LAS DIMENSIONES MOSTRADAS EN PARENTESIS SON DIMENSIONES DE REFERENCIA.



MODELO NUMERO	CURVA DE DESEMPEÑO
F420	C27059

<p>CARACTERISTICAS DE GEOMETRIA Y SIMBOLOS</p> <p>□ PLANICIDAD</p> <p>— RECTITUD</p> <p>∠ ANGULARIDAD</p> <p>⊥ PERPENDICULARIDAD (A ESCUADRA)</p> <p>// PARALELISMO</p> <p>○ REDONDEZ (CIRCULARIDAD)</p> <p>∅ CILINDRICIDAD</p> <p>△ PERFIL DE CUALQUIER SUPERFICIE</p> <p>∩ PERFIL DE CUALQUIER LINEA</p> <p>∠ VARIACION</p> <p>⊕ POSICION REAL</p> <p>◎ CONCENTRICIDAD</p> <p>≡ SIMETRIA</p> <p>ASME Y14.5M 1994</p>	<p>A MENOS QUE SE ESPECIFIQUE DE OTRA MANERA, LAS TOLERANCIAS DE LAS DIMS; SON LAS SIGUIENTES:</p> <p>PULG ±.1 ±.02 ±.005 ±.0005</p> <p>mm ±0.5 ±0.13 ±0.013</p> <p>ANG. ± 50 GRADOS</p> <p>ELIMINAR REBABAS Y ORILLAS FILOSAS DEL BORDE.</p> <p>PULG .003-.015 mm 0.1-0.4</p> <p>FILETEAR ESQUINA: PULG .020 mm 0.5</p> <p>MAQUINAR SUPERFICIES</p> <p>PULG 125 mm 3.2</p> <p>DIMS METRICAS MOSTRADAS [PARENTESIS]</p>
------------------------------------------------------------------------------------------------------------------------------------------------------------------------------------------------------------------------------------------------------------------------------------------------------------------------------------------------------------------------------------------------------------------------	-------------------------------------------------------------------------------------------------------------------------------------------------------------------------------------------------------------------------------------------------------------------------------------------------------------------------------------------------------------------------------------------------------------------------

<p>DIBUJADO POR:</p> <p>C.ZHANG</p> <p>01-31-2013</p> <p>APROBADO POR:</p> <p>T.ZHAO</p> <p>01-31-2013</p> <p>TERCER ANGULO DE PROYECCION</p> <p>FECHA EDS: 11-11-2011</p> <p>REV. FORMATO: H</p> <p>CONFIDENCIAL: ESTE DIBUJO Y SU INFORMACION SON PROPIEDAD DE USO EXCLUSIVO Y CONFIDENCIAL DE REGAL-BELOIT CORPORATION. Y NO DEBERAN SER REVELADOS, DUPLICADOS, DISTRIBUIDOS O USARSE DE OTRA MANERA SIN EL CONSENTIMIENTO ESCRITO DE REGAL-BELOIT CORPORATION. -TODOS LOS DERECHOS RESERVADOS.</p>	<p>DESCRIPCION:</p> <p>MODEL-CFHP-56FR</p> <p>OUTLINE</p> <p>TAMAÑO: C</p> <p>NUMERO DE DIBUJO: F420</p> <p>ESCALA: NONE</p> <p>HOJA: 1</p>
--------------------------------------------------------------------------------------------------------------------------------------------------------------------------------------------------------------------------------------------------------------------------------------------------------------------------------------------------------------------------------------------------------------------------------------------------------------------------------------------------------	---------------------------------------------------------------------------------------------------------------------------------------------

<p>REGAL</p> <p>REGAL-BELOIT CORPORATION</p>
----------------------------------------------

<p>DESCRIPCION:</p> <p>MODEL-CFHP-56FR</p> <p>OUTLINE</p> <p>TAMAÑO: C</p> <p>NUMERO DE DIBUJO: F420</p> <p>ESCALA: NONE</p> <p>HOJA: 1</p>
---------------------------------------------------------------------------------------------------------------------------------------------

4

3

2

1