

PRODUCT INFORMATION PACKET



Model No: F440ES
Catalog No: F440ES
General Purpose Motor, 1/2 HP, 1 Ph, 60 Hz, 115 V, 1800 RPM, 56 Frame, ODP



Regal and Century are trademarks of Regal Rexnord Corporation or one of its affiliated companies.
©2022 Regal Rexnord Corporation, All Rights Reserved. MC017097E





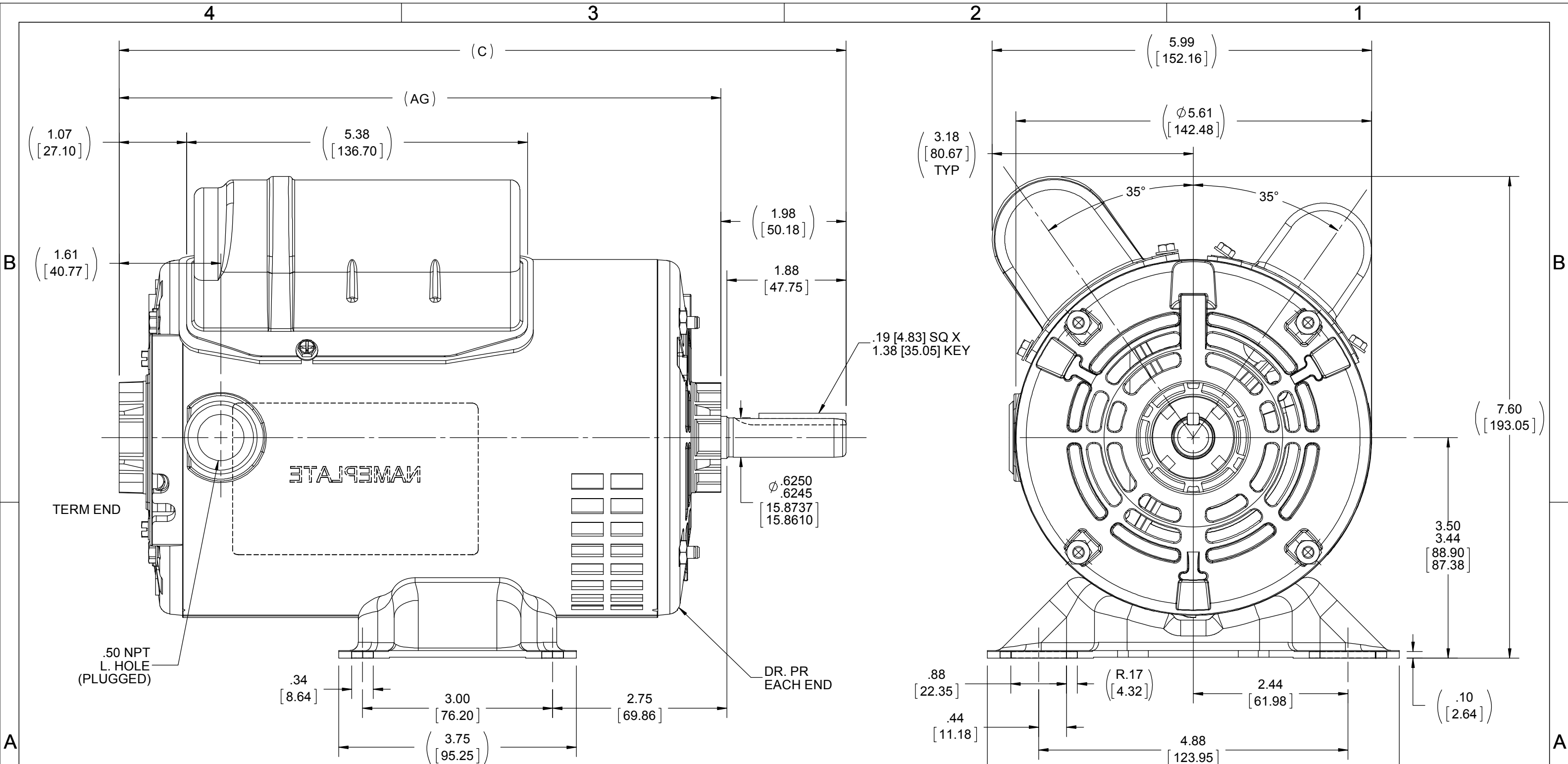
Nameplate Specifications

Output HP	1/2 Hp	Output KW	0.37 kW
Frequency	60 Hz	Voltage	115 V
Current	4.6 A	Speed	1725 rpm
Service Factor	1	Phase	1
Duty	Continuous	Insulation Class	B
Frame	56	Enclosure	Open Drip Proof
Thermal Protection	Manual	Ambient Temperature	40 °C
UL	Recognized	CSA	Y
CE	Y	Number of Speeds	1

Technical Specifications

Electrical Type	Capacitor Start Capacitor Run	Starting Method	Across The Line
Poles	4	Rotation	Counterclockwise/Clockwise
Mounting	Rigid Base	Drive End Bearing	Ball
Opp Drive End Bearing	Ball	Frame Material	Rolled Steel
Shaft Type	Keyed	Overall Length	11.47 in
Frame Length	7.50 in	Shaft Diameter	0.625 in
Shaft Extension	1.88 in		
Outline Drawing	SS404114	Connection Drawing	951341E

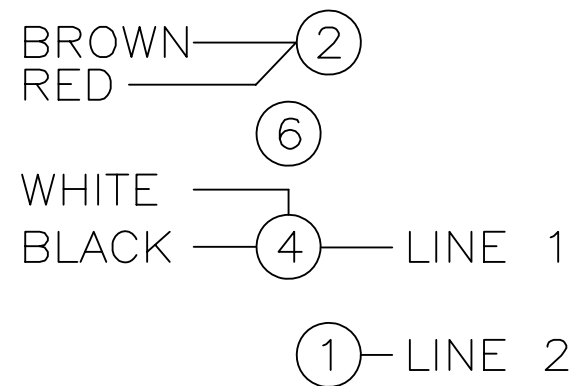
This is an uncontrolled document once printed or downloaded and is subject to change without notice. Date Created:11/29/2022



DASH	C	AG
625	10.22 [259.59]	8.25 [209.55]
650	10.47 [265.94]	8.50 [215.90]
675	10.72 [272.29]	8.75 [222.25]
700	10.97 [278.64]	9.00 [228.60]
725	11.22 [284.98]	9.25 [234.95]
750	11.47 [291.34]	9.50 [241.30]
775	11.72 [297.69]	9.75 [247.65]
800	11.97 [304.04]	10.00 [254.00]

DRAWING REVISION D	REVISION BY S.MUDDA	REV DATE/© DATE 12/11/2018	TOLERANCES (EXCEPT AS NOTED): DEC. INCH mm ANGLE .X ±0.1 [±3] ±7' 30" .XX ±0.03 [±0.8] .XXX ±0.005 [±0.13] .XXXX ±0.0005 [±0.013] REMOVE BURRS & BREAK SHARP EDGES: .003/.015 [.08/.38] X 45° CORNER FILLETS: R.02 [.5] MACHINED SURFACES: 200/ INCH/mm 5.1 mm DIMENSIONS IN [BRACKETS] ARE FOR REFERENCE ONLY	DRAWN BY JAH	REGAL ® Regal Beloit America, Inc.		
ECO ECO-0165533	APPROVED BY D.SURYAWANSHI	DATE 04/15/2019		DATE 11/21/2014			
ECO DESCRIPTION OUTLINE CONVERSION PROJECT COPYRIGHT (PER REVISION DATE) REGAL BELOIT AMERICA, INC. ALL RIGHTS RESERVED. PROPRIETARY AND CONFIDENTIAL INFORMATION - THIS DOCUMENT IS THE PROPERTY OF REGAL BELOIT AMERICA, INC. ("OWNER") AND CONTAINS OWNER'S PROPRIETARY INFORMATION. ANY PERSON, CORPORATION OR OTHER FIRM RECEIVING IT IS DEEMED, BY RECEIVING IT, TO AGREE THAT IT, AND/OR ANY PART OF IT, SHALL NOT BE DISCLOSED TO ANY PERSON, CORPORATION OR OTHER ENTITY, DUPLICATED, AND/OR USED, EXCEPT AS EXPRESSLY APPROVED IN WRITING IN ADVANCE BY OWNER. THIS DOCUMENT SHALL BE RETURNED TO OWNER UPON REQUEST. IT MAY BE SUBJECT TO CERTAIN RESTRICTIONS UNDER APPLICABLE EXPORT CONTROL LAWS AND REGULATIONS.				APPROVED BY	DESCRIPTION OUTLINE 56 FRAME		
				REFERENCE SS404113/SS75609	MATERIAL	PROCESS/FINISH	
				THIRD ANGLE PROJECTION	SIZE B	DRAWING NUMBER SS404114	SHEET 1 OF 1

951341E



ROTATION CCW-OPE TO REVERSE
INTERCHANGE BLACK WITH RED LEADS

			TOLERANCES UNLESS SPECIFIED			DRAWN SAJ 12/29/14			
			DEC.	INCHES		CHK CH 12/29/14			
			.X	±.1		APPD			
			.XX	±.02		SCALE 1=1			
			.XXX	±.005		REF			
			.XXXX	±.0005		FMF			
NO.	REVISION	BY & DATE	CHK	ANG	±7'30"	FINISH	PREV		
THIS DRAWING IN DESIGN AND DETAIL IS OUR PROPERTY AND MUST NOT BE USED EXCEPT IN CONNECTION WITH OUR WORK ALL RIGHTS OF DESIGN AND INVENTION ARE RESERVED THIS IS AN ELECTRONICALLY GENERATED DOCUMENT - DO NOT SCALE THIS PRINT			RFP	CAD FILE 951341E		SIZE A	DRAWING NO. 951341E	PAGE OF	REV.
			DIST						