

# PRODUCT INFORMATION PACKET



Model No: FB1056

Catalog No: FB1056

Condenser Fan Motor, 1/2 HP, 1 Ph, 60 Hz, 208-230/460 V, 1075 RPM, 1 Speed, 48 Frame, SEMI ENCLOSED



Regal and Century are trademarks of Regal Rexnord Corporation or one of its affiliated companies.

©2023 Regal Rexnord Corporation, All Rights Reserved. MC017097E





**Nameplate Specifications**

Output HP	1/2 Hp	Output KW	0.37 kW
Frequency	60 Hz	Voltage	208-230/460 V
Current	4.0 / 2.0 A	Speed	1075 rpm
Service Factor	1	Phase	1
Duty	Air Over	Insulation Class	B
Frame	48Y	Enclosure	Semi Enclosed
Thermal Protection	Automatic	Ambient Temperature	60 °C
UL	Recognized	CSA	Y
CE	N	Number of Speeds	1

**Technical Specifications**

Electrical Type	Permanent Split Capacitor	Starting Method	Across The Line
Poles	6	Rotation	Reversible
Mounting	Resilient Base	Motor Orientation	Horizontal
Drive End Bearing	Ball	Opp Drive End Bearing	Ball
Frame Material	Rolled Steel	Shaft Type	Flat
Overall Length	12.98 in	Frame Length	7.13 in
Shaft Diameter	0.500 in	Shaft Extension	4.5 in
Outline Drawing	11819-016	Connection Drawing	614131-122

This is an uncontrolled document once printed or downloaded and is subject to change without notice. Date Created:02/17/2023

GENERAL INFORMATION:

SHAFT RUNOUT: .001 [.03] T.I.R. PER INCH LENGTH OF EXTENSION

BEARINGS: BALL

MOUNTING POSITION: VERTICAL SHAFT UP

ELECTRICAL DATA:

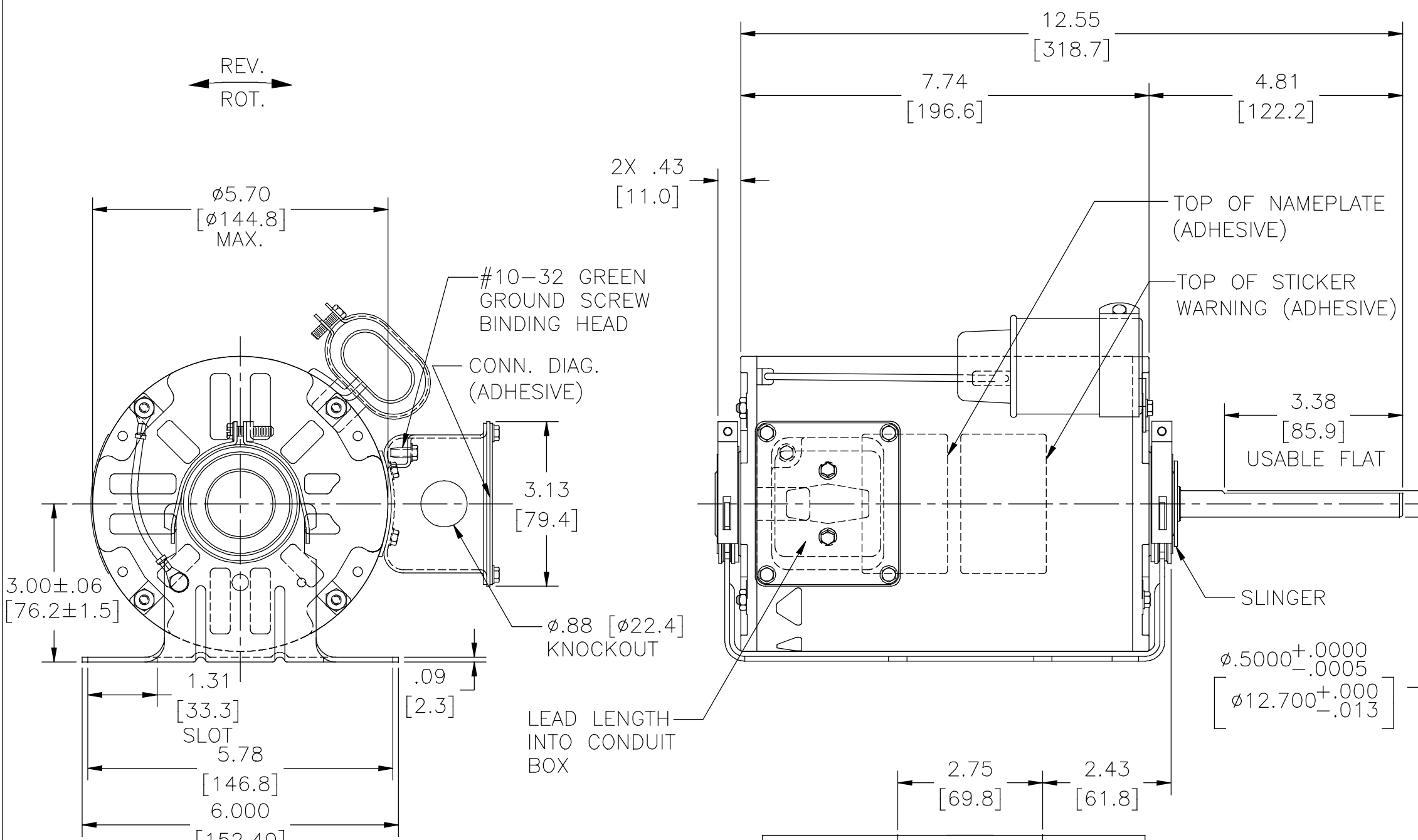
OVERLOAD PROTECTOR: AUTOMATIC RESET (T.I. 7AM 036)

LINE LEADS: NO. 18 GA., .03 [.8] THK. XLP 125°C INSUL.

GROUND LEAD: NO. 18 GA., .03 [.8] THK. (GREEN) INSUL.

NAMEPLATE DATA:	EXTERNAL CONNECTION DIAGRAM
MODEL NO.: F48SQ6V70 CUST. P/N: FB1056 HP: 1/2 ROT.: REVERSIBLE RPM: 1075 TYPE: UF FRAME: 48Y VOLTS: 208-230/460 PH: 1 AMPS: 4.0/2.0MAX 5.2/2.6 HZ: 60 INS.: B AMB.: 60° C DUTY: AIR OVER CAP.: 7.5 MFD/370 V ENCL: SEMI-ENCL. UL LOGO CSA LOGO THERMALLY PROTECTED	<p>HIGH VOLTS</p> <p>LOW VOLTS SHOWN FOR CCWLE ROT. FOR CWLE ROT. INTERCHANGE NO. 6 AND ORANGE LEADS</p>

PERFORMANCE CURVE NO.	TORQUE @ 1075 RPM (25°C)	APPROVED SAMPLE	UL COMPONENT FILE #	CCN #	CSA FILE #	CLASS #
C24018	49.5 OZ. FT.	EX12109	E46412	PRGY2	LR43341	4211-01



COLOR	LENGTH	TERMINAL OR STRIP LENGTH
GREEN (GROUND)	CONNECTED TO BASE	#10 EYELET
BROWN	CONNECTED TO CAPACITOR	.25 [6.4] FLAG
ORANGE	CONNECTED TO CAPACITOR	.25 [6.4] FLAG
ORANGE	6.0/7.0 [152/178]	.50 [12.7] SKIN
BLACK #6	6.0/7.0 [152/178]	.50 [12.7] SKIN
BLACK #5	6.0/7.0 [152/178]	.50 [12.7] SKIN
BLACK #4	6.0/7.0 [152/178]	.50 [12.7] SKIN
BLACK #3	6.0/7.0 [152/178]	.50 [12.7] SKIN
BLACK #2	6.0/7.0 [152/178]	.50 [12.7] SKIN
BLACK #1	6.0/7.0 [152/178]	.50 [12.7] SKIN

MAIN FRAME - OLE	ENCLOSED
END FRAME - OLE	ENCLOSED
MAIN FRAME - LE	SEMI-ENCL.
END FRAME - LE	OPEN

CUSTOMER	DISTRIBUTION SERVICE

DRAWING REVISION	REVISION BY	DATE
F	JERRY CHAI	12-26-2018
ECO	APPROVED BY SARA HELTON	DATE 12-26-2018
ECO-0159017	SARA HELTON	DATE 12-26-2018
ECO DESCRIPTION	SEE ECO	

COPYRIGHT REGAL BELOIT AMERICA, INC. ALL RIGHTS RESERVED. PROPRIETARY AND CONFIDENTIAL INFORMATION - THIS DOCUMENT IS THE PROPERTY OF REGAL BELOIT AMERICA, INC. (OWNER) AND CONTAINS OWNER'S PROPRIETARY INFORMATION. ANY PERSON, CORPORATION OR OTHER FIRM RECEIVING IT IS DEEMED, BY RECEIVING IT, TO AGREE THAT IT, AND/OR ANY PART OF IT, SHALL NOT BE DISCLOSED TO ANY PERSON, CORPORATION OR OTHER ENTITY, DUPLICATED, AND/OR USED, EXCEPT AS EXPRESSLY APPROVED IN WRITING IN ADVANCE BY OWNER. THIS DOCUMENT SHALL BE RETURNED TO OWNER UPON REQUEST. IT MAY BE SUBJECT TO CERTAIN RESTRICTIONS UNDER APPLICABLE EXPORT CONTROL LAWS AND REGULATIONS.

ENCLOSURE	
DRAWN BY: CADDIE.ZHOU	Regal Beloit America, Inc.
DATE: 06-07-2018	
APPROVED BY: SARA HELTON	DESCRIPTION
DATE: 06-07-2018	MODEL-RFHP-48FR OUTLINE
PROCESS/FINISH	MATERIAL
THIRD ANGLE PROJECTION	SIZE DWG NO
	C 11819-016
	SHEET 1





