

PRODUCT INFORMATION PACKET



Model No: FB1106TE

Catalog No: FB1106TE

Condenser Fan Motor, 1.0 HP, 1 Ph, 60 Hz, 208-230/460 V, 1200 RPM, N56Y Frame, TEAO



Regal and Century are trademarks of Regal Rexnord Corporation or one of its affiliated companies.

©2023 Regal Rexnord Corporation, All Rights Reserved. MC017097E





Nameplate Specifications

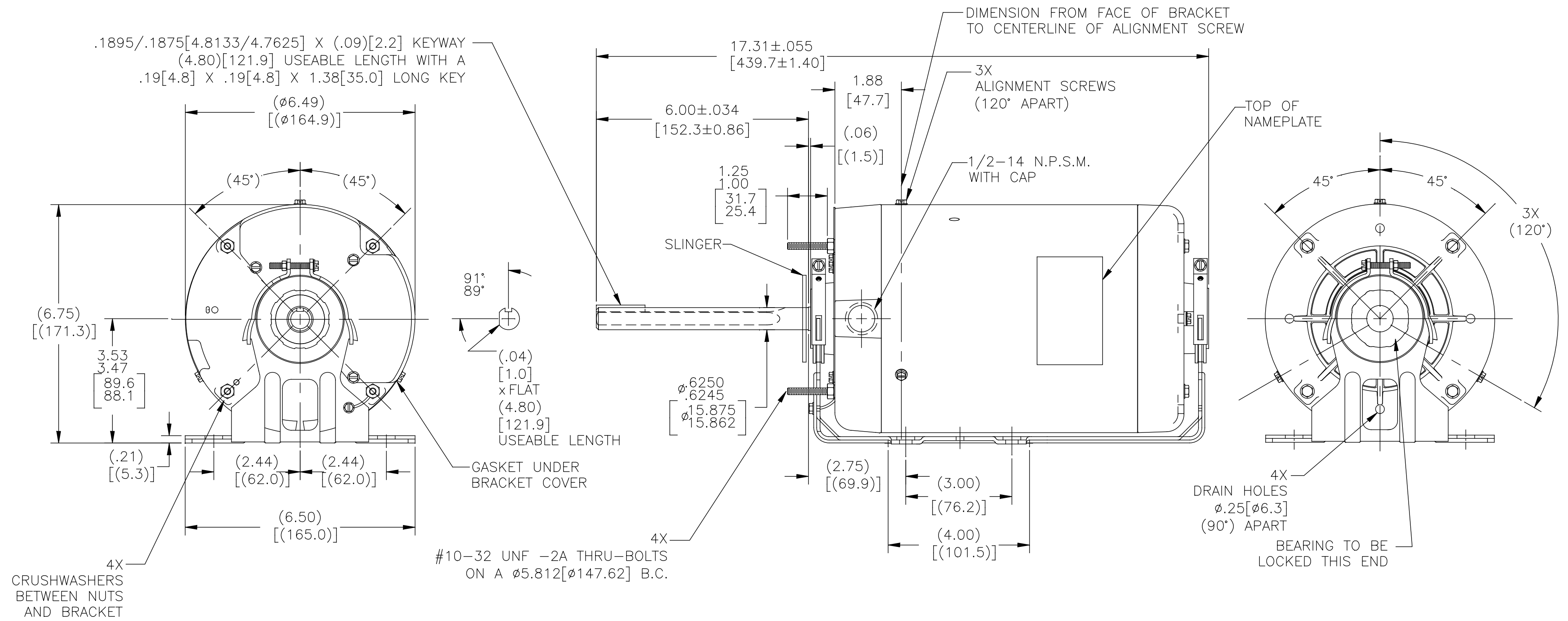
Output HP	1.0 Hp	Output KW	0.75 kW
Frequency	60 Hz	Voltage	208-230/460 V
Current	4.2/2.3 A	Speed	1075 rpm
Service Factor	1	Phase	1
Duty	Continuous	Insulation Class	B
Frame	N56Y	Enclosure	Totally Enclosed Air Over
Thermal Protection	Thermally Protected	Ambient Temperature	40 °C
UL	Recognized	CSA	Y
CE	N	Number of Speeds	1

Technical Specifications

Electrical Type	Permanent Split Capacitor, Single Or Dual Voltage	Starting Method	Across The Line
Poles	6	Rotation	Reversible Counterclockwise
Mounting	Cushion Base	Drive End Bearing	Ball
Opp Drive End Bearing	Ball	Frame Material	Rolled Steel
Shaft Type	Keyed	Overall Length	17.31 in
Frame Length	7.25 in	Shaft Diameter	0.625 in
Shaft Extension	6.00 in		
Outline Drawing	18859101-003-S03	Connection Drawing	17050612.PCX

This is an uncontrolled document once printed or downloaded and is subject to change without notice. Date Created:02/16/2023

ALL DIMENSIONS SHOWN IN PARENTHESIS ARE REFERENCE DIMENSIONS.



619432-231
KIT PARTS-PACKED-SEPARATE
MUST SHIP LOOSE WITH
MOTOR IN CARTON.

DRAWING REVISION G	REVISION BY A.BAUGHMAN	DATE 11-04-2016	TOLERANCES UNLESS OTHERWISE SPECIFIED DEC. INCH mm ANGLE .X ±0.1 [±2.5] ±0.5° .XX ±0.02 [±0.51] .XXX ±0.005 [±0.127] .XXXX ±0.0005 [±0.0127]	DRAWN BY: JB	Regal Beloit America, Inc.
ECO ECO-0111838	APPROVED BY A.BAUGHMAN	DATE 11-04-2016	REMOVE BURRS & BREAK SHARP EDGES .003/.015 [0.076/.381] X 45° CORNER FILLETS R.02 [5.1] MACHINED SURFACES 125/INCH 3.2/mm SHOWN IN [BRACKETS]	DATE: -	
ECO DESCRIPTION UPDATED TO NEW REGAL TITLEBLOCK				APPROVED BY: JSS	DESCRIPTION MODEL-CFHP-56FR OUTLINE
<small>COPYRIGHT REGAL BELOIT AMERICA, INC. ALL RIGHTS RESERVED. PROPRIETARY AND CONFIDENTIAL INFORMATION - THIS DOCUMENT IS THE PROPERTY OF REGAL BELOIT AMERICA, INC. (OWNER) AND CONTAINS OWNER'S PROPRIETARY INFORMATION. ANY PERSON, CORPORATION OR OTHER FIRM RECEIVING IT IS DEEMED, BY RECEIVING IT, TO AGREE THAT IT, AND/OR ANY PART OF IT, SHALL NOT BE DISCLOSED TO ANY PERSON, CORPORATION OR OTHER ENTITY, DUPLICATED, AND/OR USED, EXCEPT AS EXPRESSLY APPROVED IN WRITING IN ADVANCE BY OWNER. THIS DOCUMENT SHALL BE RETURNED TO OWNER UPON REQUEST. IT MAY BE SUBJECT TO CERTAIN RESTRICTIONS UNDER APPLICABLE EXPORT CONTROL LAWS AND REGULATIONS.</small>				DATE: -	MATERIAL -
				REFERENCE -	PROCESS/FINISH -
				THIRD ANGLE PROJECTION	SIZE DWG NO C 18859101-003
					SHEET 3