

PRODUCT INFORMATION PACKET



Model No: FB3056
Catalog No: FB3056

Condenser Fan Motor, 1/2 HP, 3 Ph, 60 Hz, 208-230/460 V, 1140 RPM, 1 Speed, 56 Frame, SEMI ENCLOSED



Regal and Century are trademarks of Regal Rexnord Corporation or one of its affiliated companies.
©2023 Regal Rexnord Corporation, All Rights Reserved. MC017097E





Nameplate Specifications

Output HP	1/2 Hp	Output KW	0.37 kW
Frequency	60 Hz	Voltage	208-230/460 V
Current	2.5/1.25 A	Speed	1140 rpm
Service Factor	1	Phase	3
Duty	Air Over	Insulation Class	B
Frame	56Y	Enclosure	Semi Enclosed
Thermal Protection	Automatic	Ambient Temperature	60 °C
UL	No	CSA	N
CE	N	Number of Speeds	1

Technical Specifications

Electrical Type	Three Phase	Starting Method	Across The Line
Poles	6	Rotation	Reversible
Mounting	Resilient Base	Motor Orientation	Horizontal
Drive End Bearing	Ball	Opp Drive End Bearing	Ball
Frame Material	Rolled Steel	Shaft Type	Flat
Overall Length	13.41 in	Frame Length	6.75 in
Shaft Diameter	0.500 in	Shaft Extension	5.7 in
Outline Drawing	FB3056-S01	Connection Drawing	614131-045

This is an uncontrolled document once printed or downloaded and is subject to change without notice. Date Created:02/16/2023

GENERAL INFORMATION:

SHAFT RUNOUT: .001[.02] T.I.R. PER 1.00[25.4] LENGTH OF EXTENSION.

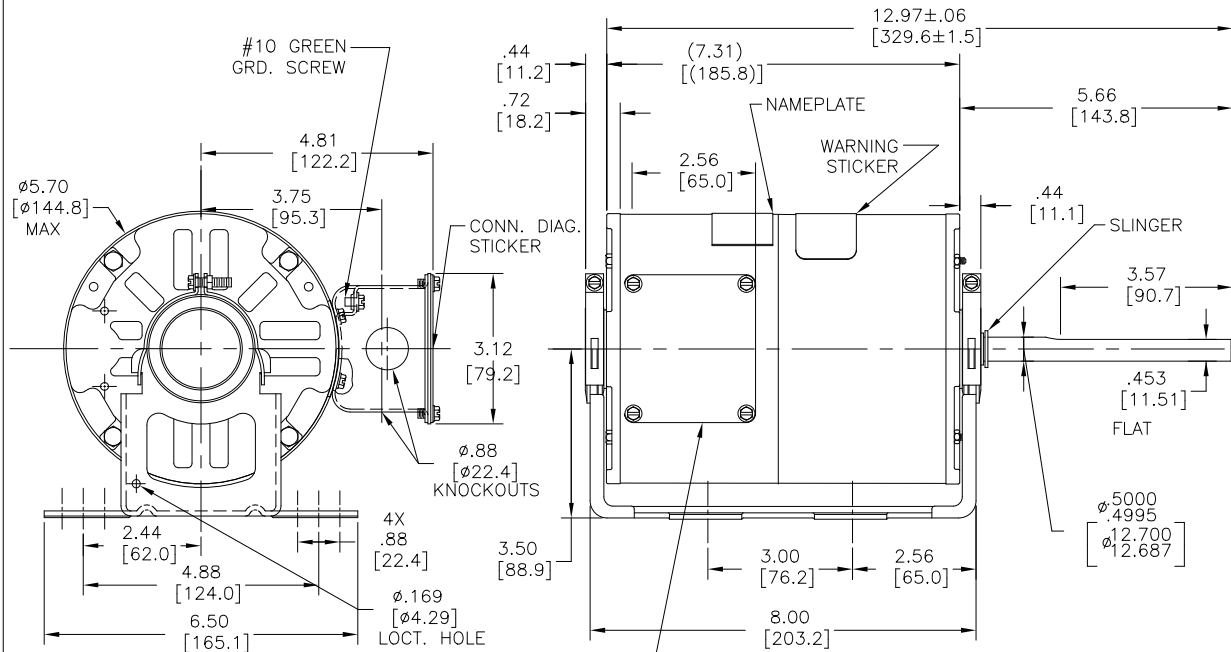
BEARINGS: 203 BALL

MOUNTING POSITION: RESILIENT BASE

ELECTRICAL DATA:

OVERLOAD PROTECTOR: AUTOMATIC RESET (SPENCER MWJ73KR)

LEADS: NO. 18 AWG STRANDED COPPER SINGLE CONDUCTOR WITH 2/64 CROSS LINKED POLYETHYLENE INSUL. 125°C



NAMEPLATE DATA:	EXTERNAL CONNECTION DIAGRAM
MODEL NO.: P48SQ6V2 CUST. P/N: FB3056 HP: 1/2 ROT.: REVERSIBLE RPM: 1140 TYPE: UAP FRAME: 56Y VOLTS: 208-230/460 PH: 3 AMPS: 2.5/1.25 HZ: 60 INS.: B AMB.: 60° C DUTY: AIR COVER CAP.: - ENCL: SEMI-ENCL UL LOGO CSA LOGO THERMALLY PROTECTED MWJ73KR	<p>HI VOLTAGE</p> <p>LO VOLTAGE</p> <p>TO REVERSE, INTERCHANGE ANY 2 LINE LEADS 614131-045</p>

PERFORMANCE CURVE NO.	TORQUE @ 1140 RPM (25°C)	APPROVED SAMPLE	UL COMPONENT		CSA	
			FILE #	CCN #	FILE #	CLASS #
C24881	45.0 OZ. FT.	88AC119A	E46412	PRGY2	LR43341	4211-01

COLOR	LEAD DATA	TERMINAL OR STRIP LENGTH
BLACK (#12)	5.0/7.0 [127/178]	.50[12.7] SKIN
BLACK (#11)	5.0/7.0 [127/178]	.50[12.7] SKIN
BLACK (#10)	5.0/7.0 [127/178]	.50[12.7] SKIN
BLUE (#9)	5.0/7.0 [127/178]	.50[12.7] SKIN
BLUE (#8)	5.0/7.0 [127/178]	.50[12.7] SKIN
BLUE (#7)	5.0/7.0 [127/178]	.50[12.7] SKIN
YELLOW (#6)	5.0/7.0 [127/178]	.50[12.7] SKIN
YELLOW (#5)	5.0/7.0 [127/178]	.50[12.7] SKIN
YELLOW (#4)	5.0/7.0 [127/178]	.50[12.7] SKIN
RED (#3)	5.0/7.0 [127/178]	.50[12.7] SKIN
RED (#2)	5.0/7.0 [127/178]	.50[12.7] SKIN
RED (#1)	5.0/7.0 [127/178]	.50[12.7] SKIN

MAIN FRAME - OLE	CLOSED
END FRAME - OLE	CLOSED
MAIN FRAME - LE	CLOSED
END FRAME - LE	OPEN

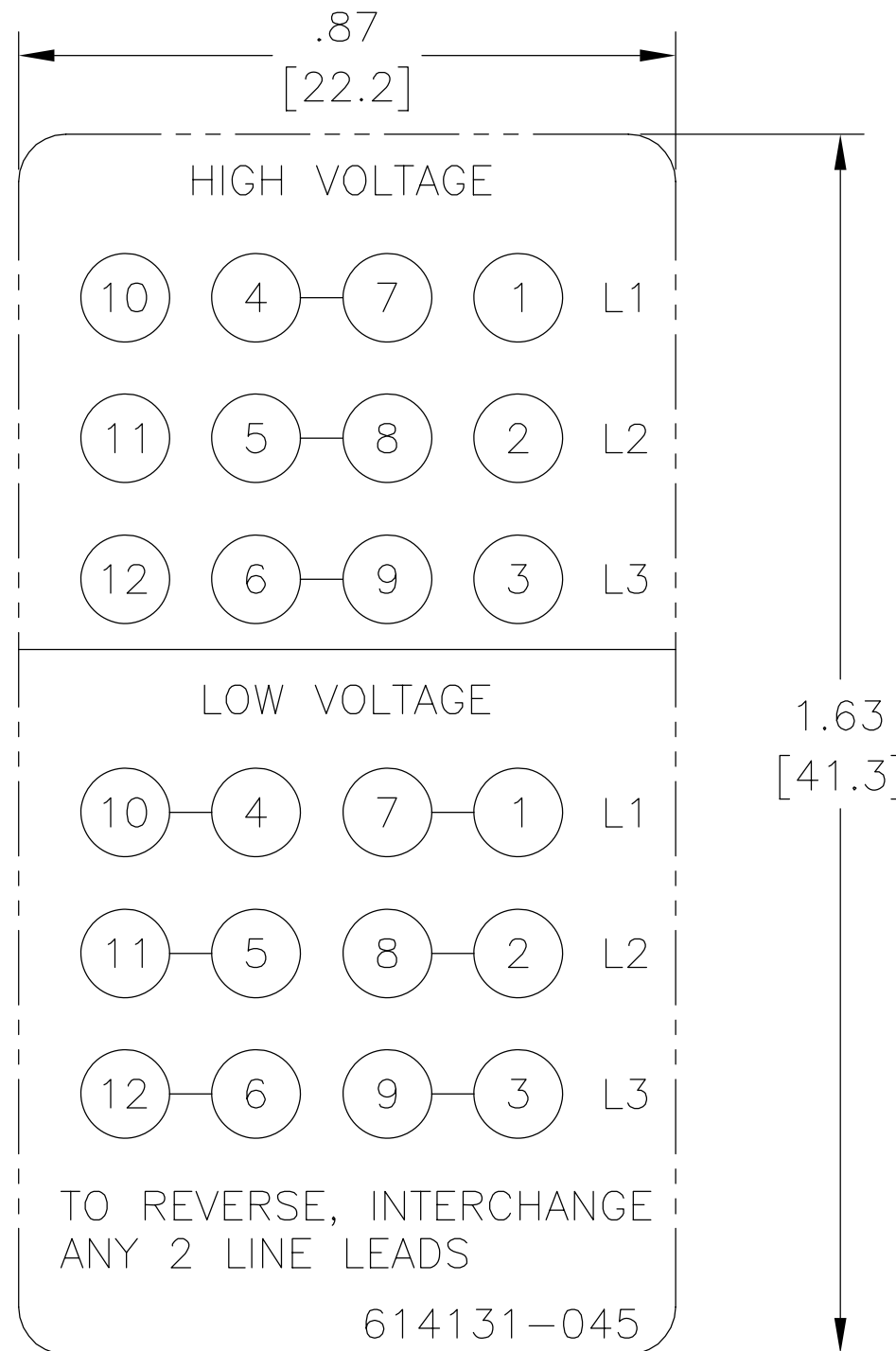
CUSTOMER	DISTRIBUTION SERVICE

DRAWING REVISION		REVISION BY	DATE
J	ECO	J. RUPERT	06-06-2022
ECR-0218230	APPROVED BY	J. RUPERT	06-06-2022
ECO DESCRIPTION			
ADDED NUMBER FOR LEADS			

COPYRIGHT REGAL BELTOI AMERICA, INC. ALL RIGHTS RESERVED. PROPRIETARY AND CONFIDENTIAL INFORMATION - THIS DOCUMENT IS THE PROPERTY OF REGAL BELTOI AMERICA, INC. (OWNER) AND CONTAINS OWNER'S PROPRIETARY INFORMATION. ANY PERSON, COMPANY OR OTHER ENTITY, DUPLICATED, AND/OR REPRODUCED, BY RECEIVING IT, TO AGREE THAT IT, AND/OR ANY PART OF IT, SHALL NOT BE DISCLOSED TO ANY PERSON, CORPORATION OR OTHER ENTITY, WITHOUT THE WRITTEN CONSENT OF REGAL BELTOI AMERICA, INC. AS EXPRESSLY APPROVED IN WRITING IN ADVANCE BY OWNER. THIS DOCUMENT SHALL BE RETURNED TO OWNER UPON REQUEST. IT MAY BE SUBJECT TO CERTAIN RESTRICTIONS UNDER APPLICABLE EXPORT CONTROL LAWS AND REGULATIONS.

DRAWING		ENCLOSURE	
DRAWN BY:	J. WILLIAMS	DATE:	06-04-1990
APPROVED BY:	M. FRENCH	DATE:	06-04-1990
REFERENCE:		MATERIAL:	
THIRD ANGLE PROJECTION		SIZE:	DWG NO: FB3056
		DESCRIPTION:	MODEL-RFHP-48FR OUTLINE
		PROCESS/FINISH:	

REV	ECO	REV BY	DATE	APPD	DATE
C	0029048	D.RODRIGUEZ	10-18-2012	J.HESS	10-18-2012



NOTES:

1. FOR USE WITH 614129 NAMEPLATE BLANK
2. ——— ——— INDICATES DIMENSION LIMITS
3. DIE TO BE MADE FROM MASTER SUPPLIED BY REGAL
4. DIE MUST PRODUCE A LEGIBLE IMPRESSION.

GEOMETRIC CHARACTERISTICS & SYMBOLS

- ▭ FLATNESS
- STRAIGHTNESS
- ∠ ANGULARITY
- ⊥ PERPENDICULARITY (SQUARENESS)
- // PARALLELISM
- ROUNDNESS (CIRCULARITY)
- ⊘ CYLINDRICITY
- ⌒ PROFILE OF ANY SURFACE
- ⌒ PROFILE OF ANY LINE
- ↗ RUNOUT
- ⊕ TRUE POSITION
- ◎ CONCENTRICITY
- ≡ SYMMETRY

ASME Y14.5M 1994

UNLESS OTHERWISE SPECIFIED
DIM. TOLERANCES ARE AS FOLLOWS:

INCH	±.1	±.02	±.005	±.0005
mm	±0.5	±0.13	±0.013	

ANG. ±.50 DEG

REMOVE BURRS & BREAK SHARP EDGES:
INCH .003-.015 mm 0.1-0.4

CORNER FILLETS TO:
INCH .020 mm 0.5

MACHINE SURFACES:
INCH 125 mm 3.2

METRIC DIMS. SHOWN IN [BRACKETS]

DR BY:	jrupert	02-03-2009
APPD:	triley	02-03-2009
THIRD ANGLE PROJECTION		EDS DATE 11-11-2011 FORMAT REV H
CONFIDENTIAL: THIS DRAWING AND ITS INFORMATION ARE THE EXCLUSIVE AND CONFIDENTIAL PROPERTY OF REGAL-BELOIT CORPORATION AND ARE NOT TO BE DISCLOSED, DUPLICATED, DISTRIBUTED OR OTHERWISE USED WITHOUT THE WRITTEN CONSENT OF REGAL-BELOIT CORPORATION. -ALL RIGHTS RESERVED.		

REGAL-BELOIT CORPORATION	
DESCRIPTION CONN DIAGRAM EXTERNAL	
SIZE A	DWG NO 614131-045
SCALE NONE	SHEET 1