

# PRODUCT INFORMATION PACKET



Model No: FC1046F  
Catalog No: FC1046F

HEATMASTER® Condenser Fan Motor, .4 HP, 1 Ph, 60 Hz, 200-230/460 V, 1075 RPM, 1 Speed, 48 Frame,  
OPEN



Regal and Century are trademarks of Regal Rexnord Corporation or one of its affiliated companies.  
©2025 Regal Rexnord Corporation, All Rights Reserved. MC017097E





**Nameplate Specifications**

Phase	1	Output HP	.4 Hp
Output KW	0.30 kW	Voltage	200-230/460 V
Speed	1075 rpm	Service Factor	1.0
Frame	48Y	Enclosure	Open Enclosed
Thermal Protection	Automatic	Ambient Temperature	70 °C
Frequency	60 Hz	Current	3.2/1.6 A
Duty	Air Over	Insulation Class	F
UL	Recognized	CSA	Y
CE	N	Number of Speeds	1

**Technical Specifications**

Electrical Type	Permanent Split Capacitor	Starting Method	Across The Line
Poles	6	Rotation	Reversible
Mounting	Round Belly Band	Motor Orientation	Vertical Shaft Up
Drive End Bearing	Ball	Opp Drive End Bearing	Ball
Frame Material	Rolled Steel	Shaft Type	Double Flat
Overall Length	10.74 in	Frame Length	4.75 in
Shaft Diameter	0.500 in	Shaft Extension	3.6 in
Outline Drawing	FC1046F-S01	Connection Drawing	614131-060

This is an uncontrolled document once printed or downloaded and is subject to change without notice. Date Created:02/10/2025

GENERAL INFORMATION:

SHAFT RUNOUT: .001 [.03] T.I.R. PER INCH LENGTH OF EXTENSION

BEARINGS: BALL

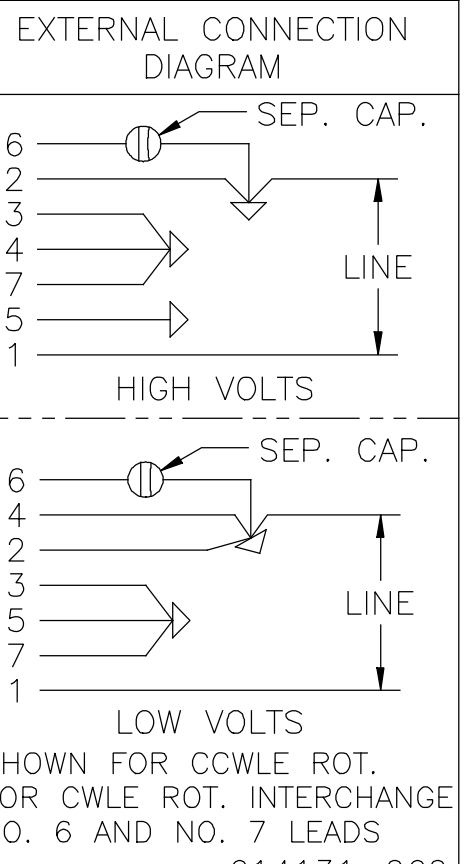
MOUNTING POSITION: VERTICAL SHAFT UP

ELECTRICAL DATA:

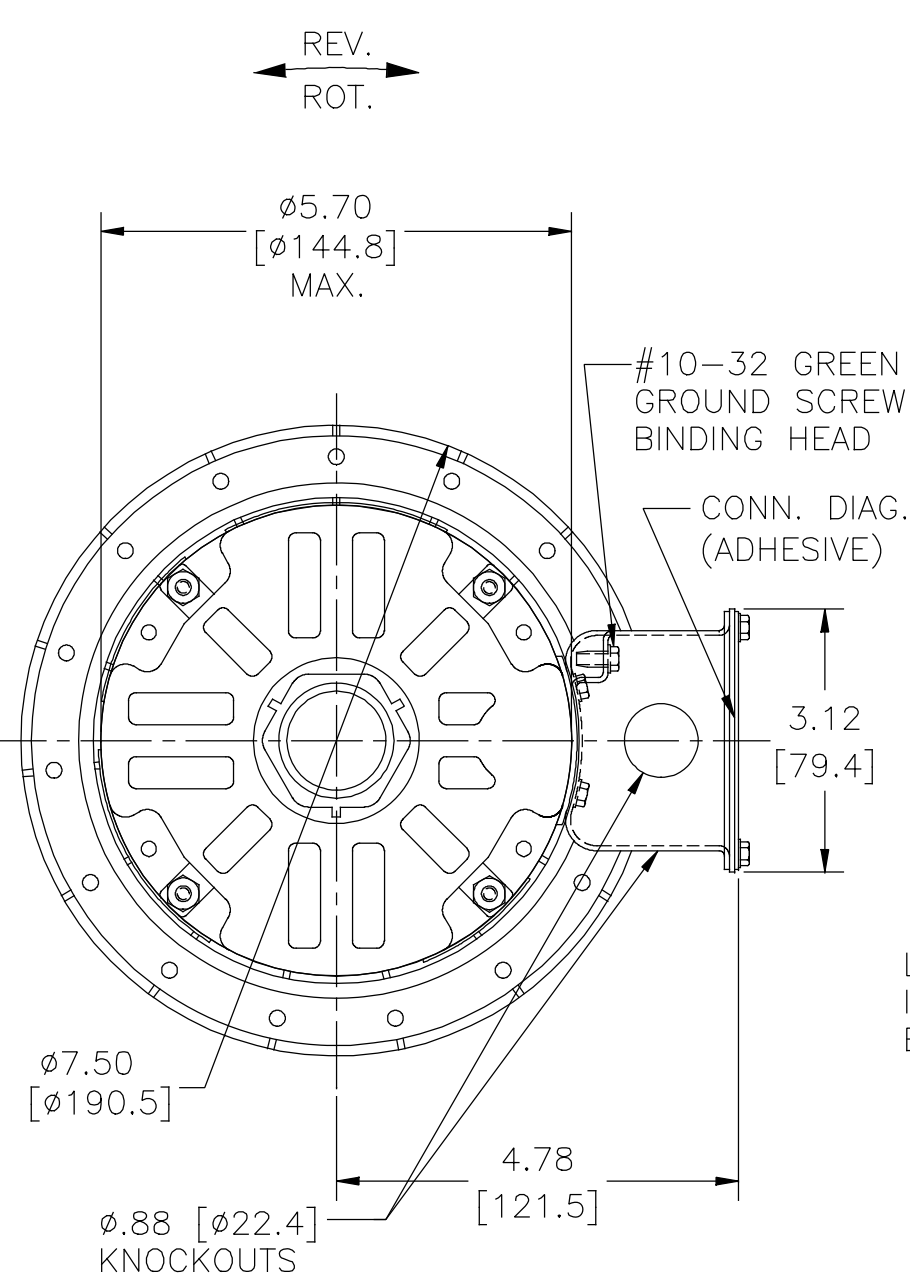
OVERLOAD PROTECTOR: AUTOMATIC RESET (SENSATA 7AM 304)

LEADS: NO. 18 GA., .03 [.8] THK. XLP 125°C INSUL.

**NAMEPLATE DATA:**  
 MODEL NO.: F48AA01A01  
 CUST. P/N: FC1046F  
 HP: .4  
 ROT.: REVERSIBLE  
 RPM: 1075  
 TYPE: UF  
 FRAME: 48Y  
 VOLTS: 200-230/460  
 PH: 1  
 AMPS: 3.2/1.6  
 HZ: 60  
 INS.: F  
 AMB.: 70° C  
 DUTY: AIR OVER  
 CAP.: 5/440VAC  
 ENCL: OPEN  
 UL LOGO  
 CSA LOGO  
 THERMALLY PROTECTED

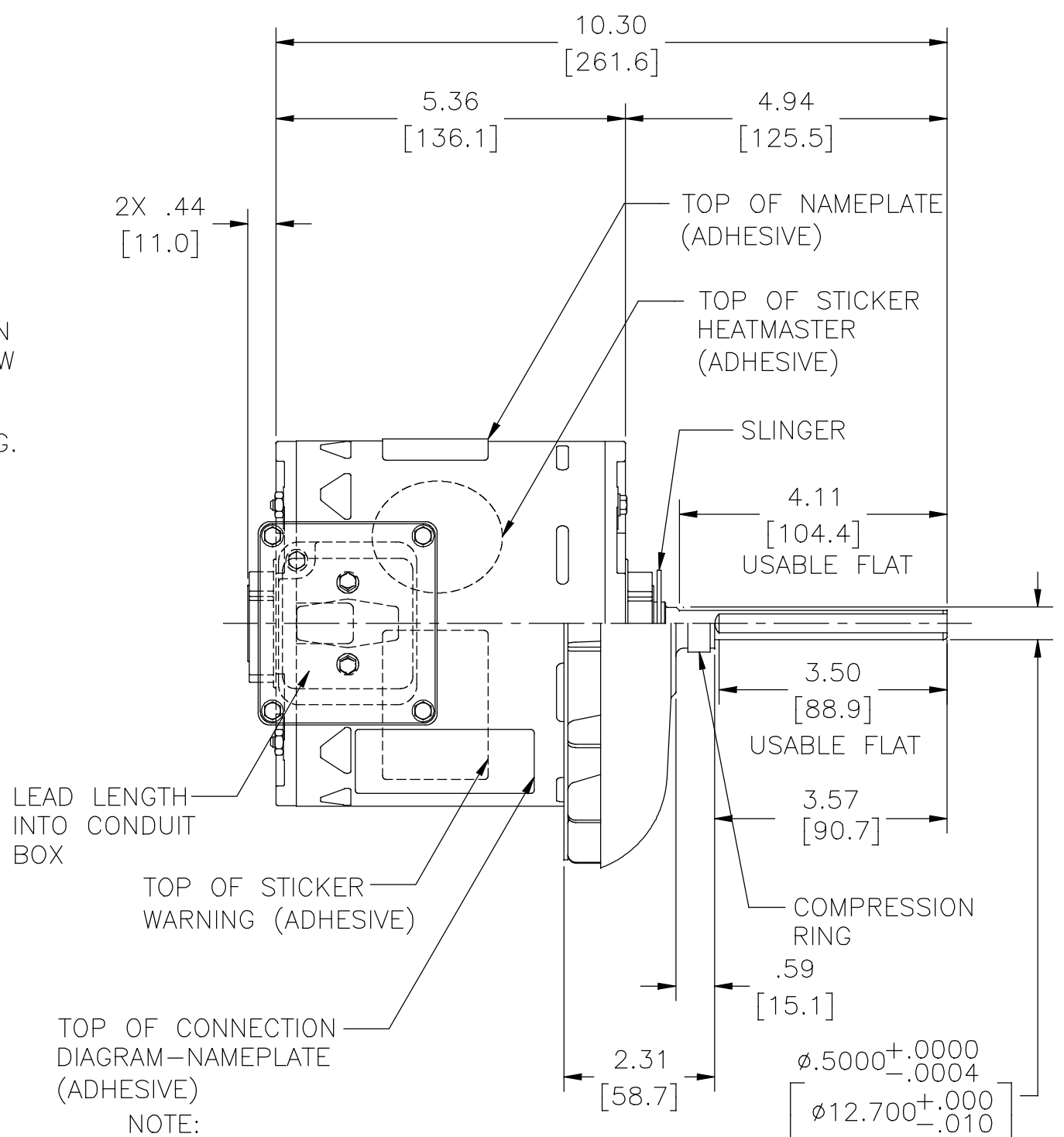


PERFORMANCE CURVE NO.	TORQUE @ 1075 RPM (25°C)	APPROVED SAMPLE	UL COMPONENT		CSA	
			FILE #	CCN #	FILE #	CLASS #
C18075	30.0 OZ. FT.	0701429A	E46412	PRGY2	LR43341	4211-01

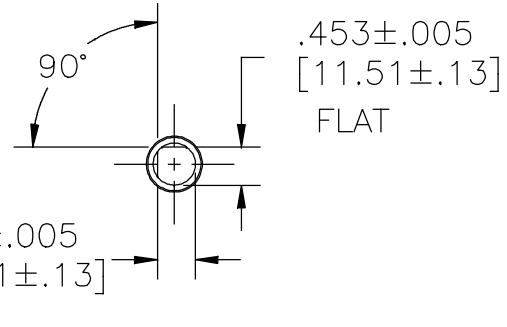


COLOR	LENGTH	TERMINAL OR STRIP LENGTH
RED (1)	5.0/7.0 [127/178]	.50 [12.7] SKIN
RED (2)	5.0/7.0 [127/178]	.50 [12.7] SKIN
RED (3)	5.0/7.0 [127/178]	.50 [12.7] SKIN
YELLOW (4)	5.0/7.0 [127/178]	.50 [12.7] SKIN
YELLOW (5)	5.0/7.0 [127/178]	.50 [12.7] SKIN
YELLOW (6)	5.0/7.0 [127/178]	.50 [12.7] SKIN
BLUE (7)	5.0/7.0 [127/178]	.50 [12.7] SKIN

LEAD DATA



- NOTE:  
 1. (1) KEY 605888-004  
 (1) SHAFT ADAPTER 614675  
 (1) INSTRUCTION SHEET 614795 TO BE PUT IN POLY BAGS AND SHIPPED SEPARATE IN EACH CARTON WITH MOTOR.



MAIN FRAME - OLE	OPEN
END FRAME - OLE	OPEN
MAIN FRAME - LE	OPEN
END FRAME - LE	OPEN

ENCLOSURE

CUSTOMER	DISTRIBUTION SERVICE
----------	----------------------

REGAL-BELOIT CORPORATION (RBC) PROVIDES TECHNICAL ASSISTANCE TO OUR CUSTOMERS IN SEVERAL AREAS. SINCE RBC DOES NOT RECEIVE ALL DATA CONCERNING THE USE AND APPLICATION OF THE MOTOR, THE SUITABILITY OF THE MOTOR FOR THE APPLICATION MUST BE DETERMINED BY THE CUSTOMER.

DRAWING REVISION	REVISION BY	DATE
G	JERRY CHAI	10-07-2018
E	TRICIA NIEDERHOLTMAYER	10-07-2018

COPYRIGHT REGAL-BELOIT AMERICA, INC. ALL RIGHTS RESERVED. PROPRIETARY AND CONFIDENTIAL INFORMATION - THIS DOCUMENT IS THE PROPERTY OF REGAL-BELOIT AMERICA, INC. (OWNER) AND CONTAINS OWNER'S PROPRIETARY INFORMATION. ANY PERSON, CORPORATION OR OTHER FIRM RECEIVING IT IS DEEMED TO HAVE RECEIVED IT, TO AGREE THAT IT, AND/OR ANY PART OF IT, SHALL NOT BE DISCLOSED TO ANY PERSON, CORPORATION OR OTHER ENTITY, DUPLICATED, AND/OR USED, EXCEPT AS EXPRESSLY APPROVED IN WRITING IN ADVANCE BY OWNER. THIS DOCUMENT SHALL BE RETURNED TO OWNER UPON REQUEST. IT MAY BE SUBJECT TO CERTAIN RESTRICTIONS UNDER APPLICABLE EXPORT CONTROL LAWS AND REGULATIONS.

DRAWN BY: JEFF RUPERT	REGAL™ Regal Beloit America, Inc.
DATE: 09-21-2007	
APPROVED BY: CBRANHAM	DESCRIPTION: MODEL-RFHP-48FR OUTLINE
DATE: 09-21-2007	MATERIAL: -
REFERENCE:	PROCESS/FINISH: -
THIRD ANGLE PROJECTION	SIZE DWG NO: C FC1046F
	SHEET: 1

D

C

B

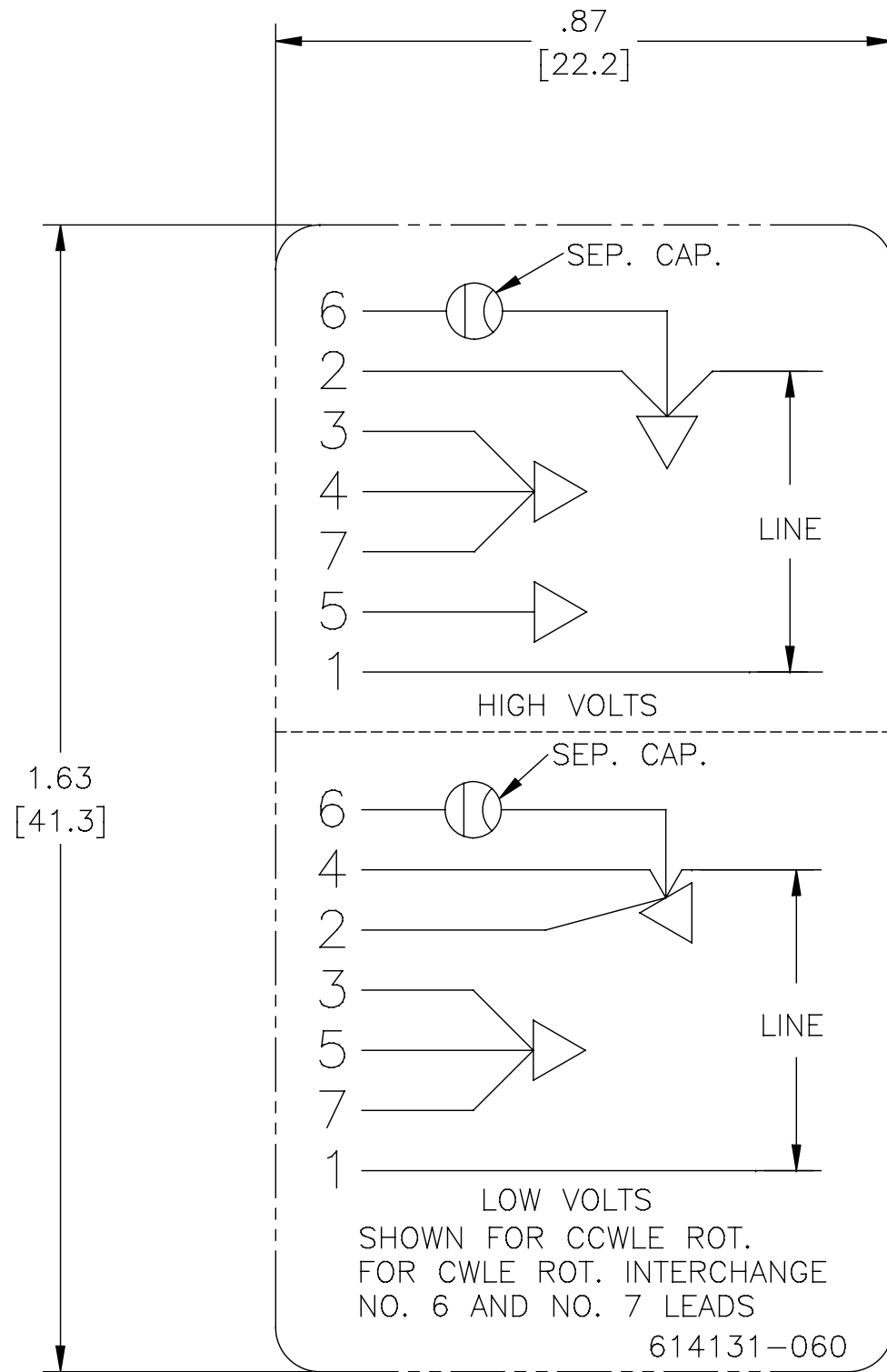
A

D

C

B

A



NOTES:

1. FOR USE WITH 614129 NAMEPLATE BLANK(OR 2513020-001 NAMEPLATE BLANKS)
2. ——— INDICATES DIMENSION LIMITS

DRAWING REVISION C		REVISION BY C.ZHOU	DATE 07-30-2015	TOLERANCES UNLESS OTHERWISE SPECIFIED			DRAWN BY: Cherry.Zhang		<b>REGAL</b> ™ Regal Beloit America, Inc.	
ECO 0082510		APPROVED BY C.ZHANG	DATE 07-30-2015	DEC.	INCH	mm	ANGLE	DATE: 03-28-2011		
ECO DESCRIPTION @ZONE B3 ADD REVERSING TEXT				.XX	±0.02	[±0.13]	±0.5°	APPROVED BY: Tiger.Wang	DESCRIPTION CONN DIAGRAM-NAMEPLATE	
<small>COPYRIGHT REGAL BELOIT AMERICA, INC. ALL RIGHTS RESERVED.                  PROPRIETARY AND CONFIDENTIAL INFORMATION - THIS DOCUMENT IS THE PROPERTY OF                  REGAL BELOIT AMERICA, INC. (OWNERS) AND CONTAINS OWNERS PROPRIETARY                  INFORMATION. ANY PERSON, CORPORATION OR OTHER FIRM RECEIVING IT IS DEEMED,                  BY RECEIVING IT, TO AGREE THAT IT, AND/OR ANY PART OF IT, SHALL NOT BE DISCLOSED                  TO ANY PERSON, CORPORATION OR OTHER ENTITY, DUPLICATED, AND/OR USED, EXCEPT                  AS EXPRESSLY APPROVED IN WRITING IN ADVANCE BY OWNER. THIS DOCUMENT SHALL                  BE RETURNED TO OWNER UPON REQUEST. IT MAY BE SUBJECT TO CERTAIN                  RESTRICTIONS UNDER APPLICABLE EXPORT CONTROL LAWS AND REGULATIONS.</small>				.XXX	±0.005	[±0.013]		DATE: 03-28-2011		
				.XXXX	±0.0005	[±0.0013]		REFERENCE	MATERIAL	PROCESS/FINISH
				REMOVE BURRS & BREAK SHARP EDGES .003/.015 [0.08/.38]		CORNER FILLETS .02 [.5]		MACHINED SURFACES $\frac{125}{\text{INCH}} \sqrt{\frac{3.2}{\text{mm}}}$		THIRD ANGLE PROJECTION