

PRODUCT INFORMATION PACKET



Model No: FC1066AF
Catalog No: FC1066AF

HEATMASTER® Condenser Fan Motor, .6 HP, 1 Ph, 60 Hz, 200-230/460 V, 1075 RPM, 1 Speed, 48 Frame,
SEMI ENCL



Regal and Century are trademarks of Regal Rexnord Corporation or one of its affiliated companies.
©2025 Regal Rexnord Corporation, All Rights Reserved. MC017097E





Nameplate Specifications

Phase	1	Output HP	.6 Hp
Output KW	0.45 kW	Voltage	200-230/460 V
Speed	1075 rpm	Service Factor	1.0
Frame	48Y	Enclosure	Semi Enclosed
Thermal Protection	Automatic	Ambient Temperature	70 °C
Frequency	60 Hz	Current	4.0/2.0 A
Duty	Air Over	Insulation Class	F
UL	Recognized	CSA	Y
CE	N	Number of Speeds	1

Technical Specifications

Electrical Type	Permanent Split Capacitor	Starting Method	Across The Line
Poles	6	Rotation	Reversible
Mounting	Round Belly Band	Motor Orientation	Vertical Shaft Up
Drive End Bearing	Ball	Opp Drive End Bearing	Ball
Frame Material	Rolled Steel	Shaft Type	Keyed
Overall Length	12.92 in	Frame Length	6.38 in
Shaft Diameter	0.600 in	Shaft Extension	3.6 in
Outline Drawing	FC1066AF-S01	Connection Drawing	614131-060

This is an uncontrolled document once printed or downloaded and is subject to change without notice. Date Created:02/10/2025

<p>总技术要求:</p> <p>轴跳动: .001[.03]/1[25.4]外伸轴</p> <p>轴承: 球轴承</p> <p>安装位置: 转轴朝下</p> <p>电气数据:</p> <p>过载保护: 自动复位 (SENSATA 7AM 304)</p> <p>引线: 18# (美制标准), 厚.03[.8] XLP 125° C 绝缘</p> <p>接地线: 16# (美制标准), 厚.03[0.8]绿色绝缘</p>	<p>可逆 转向</p>	<table border="1" style="width:100%; border-collapse: collapse;"> <tr> <td>版本</td> <td>ECO</td> <td>编制</td> <td>日期</td> <td>批准</td> <td>日期</td> </tr> <tr> <td>F</td> <td>ECO-0028126</td> <td>jrupert</td> <td>10-24-2012</td> <td>jrupert</td> <td>10-24-2012</td> </tr> </table>	版本	ECO	编制	日期	批准	日期	F	ECO-0028126	jrupert	10-24-2012	jrupert	10-24-2012	<p>铭牌数据</p> <p>MODEL NO.: F48AA13A01 CUST. P/N: FC1066AF HP: .6 ROT.: REVERSIBLE RPM: 1075 TYPE: UF FRAME: 48Y VOLTS: 200-230/460 PH: 1 AMPS: 4.0/2.0 HZ: 60 INS.: F AMB.: 70° C DUTY: AIR OVER CAP.: 7.5 MFD/440 V ENCL: SEMI-ENCL. UL LOGO CSA LOGO THERMALLY PROTECTED</p> <p>外部数据线</p>																	
版本	ECO	编制	日期	批准	日期																											
F	ECO-0028126	jrupert	10-24-2012	jrupert	10-24-2012																											
性能曲线编号: C32798	转矩在 10750 RPM @ 25° C: 45.0 OZ. FT.	批准样品: 0701420A	UL部件: 文件号 E46412, 指南 PRGY2	CSA: 文件号 LR43341, 指南 4211-01	引线数据表																											
<table border="1" style="width:100%; border-collapse: collapse;"> <tr> <td>绿 (接地线)</td> <td>12.0/13.0 [305/330]</td> <td></td> </tr> <tr> <td>红 (1)</td> <td>5.0/7.0 [127/178]</td> <td>.50 [12.7] 剥皮</td> </tr> <tr> <td>红 (2)</td> <td>5.0/7.0 [127/178]</td> <td>.50 [12.7] 剥皮</td> </tr> <tr> <td>红 (3)</td> <td>5.0/7.0 [127/178]</td> <td>.50 [12.7] 剥皮</td> </tr> <tr> <td>黄 (4)</td> <td>5.0/7.0 [127/178]</td> <td>.50 [12.7] 剥皮</td> </tr> <tr> <td>黄 (5)</td> <td>5.0/7.0 [127/178]</td> <td>.50 [12.7] 剥皮</td> </tr> <tr> <td>黄 (6)</td> <td>5.0/7.0 [127/178]</td> <td>.50 [12.7] 剥皮</td> </tr> <tr> <td>蓝 (7)</td> <td>5.0/7.0 [127/178]</td> <td>.50 [12.7] 剥皮</td> </tr> <tr> <td>颜色</td> <td>长度</td> <td>端子或剥线长度</td> </tr> </table>					绿 (接地线)	12.0/13.0 [305/330]		红 (1)	5.0/7.0 [127/178]	.50 [12.7] 剥皮	红 (2)	5.0/7.0 [127/178]	.50 [12.7] 剥皮	红 (3)	5.0/7.0 [127/178]	.50 [12.7] 剥皮	黄 (4)	5.0/7.0 [127/178]	.50 [12.7] 剥皮	黄 (5)	5.0/7.0 [127/178]	.50 [12.7] 剥皮	黄 (6)	5.0/7.0 [127/178]	.50 [12.7] 剥皮	蓝 (7)	5.0/7.0 [127/178]	.50 [12.7] 剥皮	颜色	长度	端子或剥线长度	密封性表
绿 (接地线)	12.0/13.0 [305/330]																															
红 (1)	5.0/7.0 [127/178]	.50 [12.7] 剥皮																														
红 (2)	5.0/7.0 [127/178]	.50 [12.7] 剥皮																														
红 (3)	5.0/7.0 [127/178]	.50 [12.7] 剥皮																														
黄 (4)	5.0/7.0 [127/178]	.50 [12.7] 剥皮																														
黄 (5)	5.0/7.0 [127/178]	.50 [12.7] 剥皮																														
黄 (6)	5.0/7.0 [127/178]	.50 [12.7] 剥皮																														
蓝 (7)	5.0/7.0 [127/178]	.50 [12.7] 剥皮																														
颜色	长度	端子或剥线长度																														
<table border="1" style="width:100%; border-collapse: collapse;"> <tr> <td>无引线端机壳</td> <td>开放</td> </tr> <tr> <td>无引线端端盖</td> <td>开放</td> </tr> <tr> <td>有引线端机壳</td> <td>密封</td> </tr> <tr> <td>有引线端端盖</td> <td>开放</td> </tr> </table>					无引线端机壳	开放	无引线端端盖	开放	有引线端机壳	密封	有引线端端盖	开放	用户: DISTRIBUTION SERVICE																			
无引线端机壳	开放																															
无引线端端盖	开放																															
有引线端机壳	密封																															
有引线端端盖	开放																															
<p>REGAL-BELOIT CORPORATION (RBC) 在个别领域为客户 提供技术支持。鉴于 RBC 未收到任何涉及电机使用和 应用环境的数据, 电机的适用性 由客户自己决定。</p> <p>未注公差尺寸仅供参考。</p>		<p>绘图: jrupert 09-25-2007</p> <p>批准: cbranham 09-25-2007</p> <p>第二角投影</p> <p>图密: 本图纸及相关信息所有权归REGAL-BELOIT CORPORATION。未经REGAL-BELOIT CORPORATION书面授权, 不得泄露、复制、传播或作其他用途。--版权所有</p>			<p>名称: MODEL-RFHP-48FR OUTLINE</p> <p>图号: FC1066AF</p> <p>比例: NONE</p> <p>页号: 1</p>																											

4 3 2 1

GENERAL INFORMATION:

SHAFT RUNOUT: .001 [.03] T.I.R. PER INCH LENGTH OF EXTENSION

BEARINGS: BALL

MOUNTING POSITION: VERTICAL SHAFT UP

ELECTRICAL DATA:

OVERLOAD PROTECTOR: AUTOMATIC RESET (SENSATA 7AM 304)

LEADS: NO. 18 GA., .03 [.8] THK. XLP 125°C INSUL.

GROUND LEAD: NO. 16 GA., .03 [.8] THK. (GREEN) INSUL.

REV	ECO	REV BY	DATE	APPD	DATE
F	ECO-0028126	jrupert	10-24-2012	jrupert	10-24-2012

NAMEPLATE DATA:	EXTERNAL CONNECTION DIAGRAM
MODEL NO.: F48AA13A01 CUST. P/N: FC1066AF HP: .6 ROT.: REVERSIBLE RPM: 1075 TYPE: UF FRAME: 48Y VOLTS: 200-230/460 PH: 1 AMPS: 4.0/2.0 HZ: 60 INS.: F AMB.: 70° C DUTY: AIR OVER CAP.: 7.5 MFD/440 V ENCL: SEMI-ENCL. UL LOGO CSA LOGO THERMALLY PROTECTED	<p>HIGH VOLTS</p> <p>LOW VOLTS</p> <p>SHOWN FOR CCWLE ROT. FOR CWLE ROT. INTERCHANGE NO. 6 AND NO. 7 LEADS</p> <p>614131-060</p>

PERFORMANCE CURVE NO.	TORQUE @ 1075 RPM (25°C)	APPROVED SAMPLE	UL COMPONENT		CSA	
C32798	45.0 OZ. FT.	0701420A	FILE #	CCN #	FILE #	CLASS #
			E46412	PRGY2	LR43341	4211-01

GEOMETRIC CHARACTERISTICS & SYMBOLS

- ▮ FLATNESS
- STRAIGHTNESS
- ∠ ANGULARITY
- ⊥ PERPENDICULARITY (SQUARENESS)
- ∥ PARALLELISM
- ROUNDNESS (CIRCULARITY)
- ⊘ CYLINDRICITY
- △ PROFILE OF ANY SURFACE
- ⌒ PROFILE OF ANY LINE
- ∩ RUNOUT
- ⊕ TRUE POSITION
- ⊙ CONCENTRICITY
- ≡ SYMMETRY

ASME Y14.5M 1994

REGAL-BELOIT CORPORATION (RBC) PROVIDES TECHNICAL ASSISTANCE TO OUR CUSTOMERS IN SEVERAL AREAS. SINCE RBC DOES NOT RECEIVE ALL DATA CONCERNING THE USE AND APPLICATION OF THE MOTOR, THE SUITABILITY OF THE MOTOR FOR THE APPLICATION MUST BE DETERMINED BY THE CUSTOMER.

DIMENSIONS WITHOUT TOLERANCES ARE FOR REFERENCE ONLY.

DR BY: jrupert 09-25-2007

APPD: cbranham 09-25-2007

THIRD ANGLE PROJECTION

EDS DATE 11-11-2011
FORMAT REV H

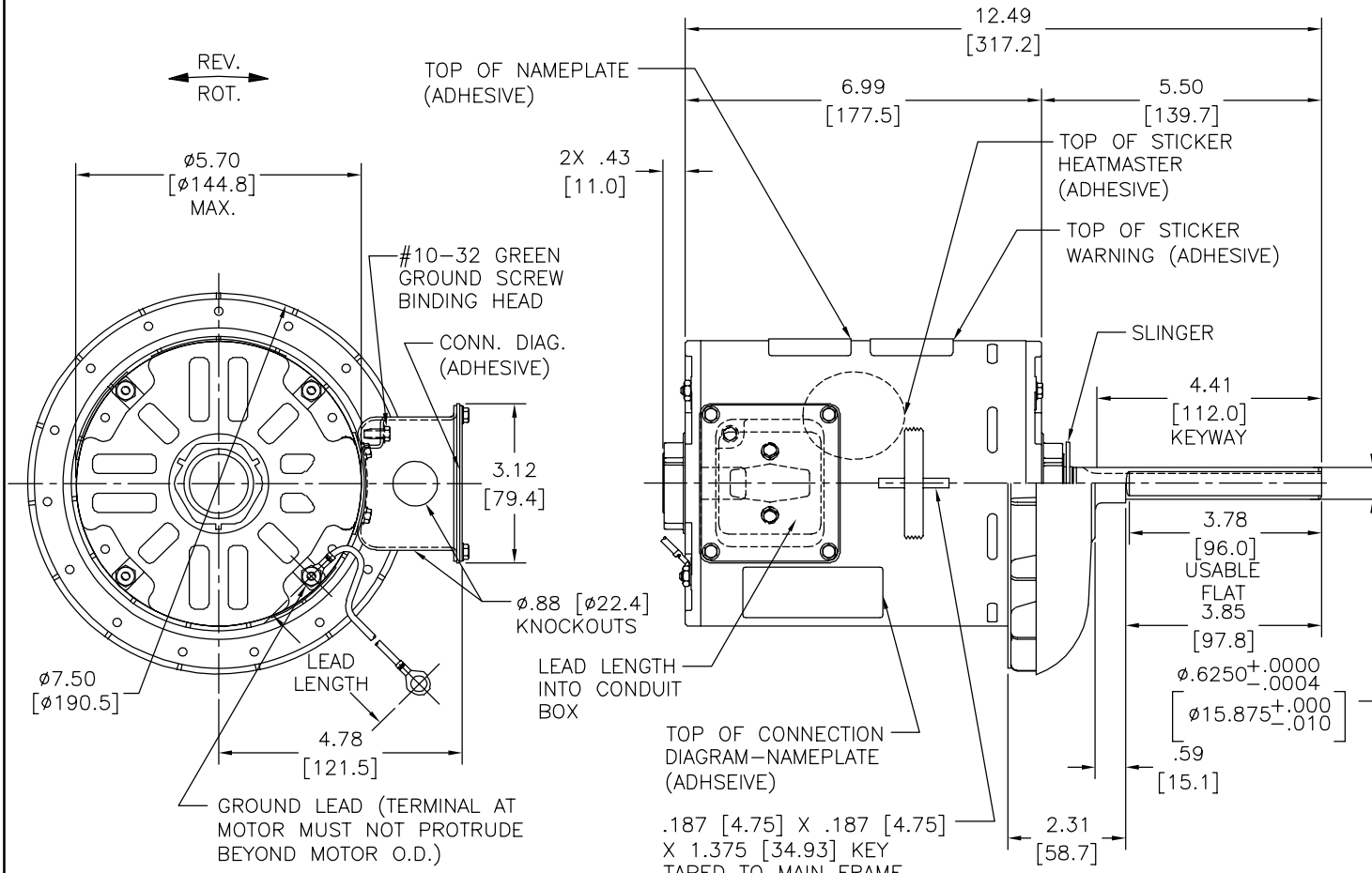
CONFIDENTIAL: THIS DRAWING AND ITS INFORMATION ARE THE EXCLUSIVE AND CONFIDENTIAL PROPERTY OF REGAL-BELOIT CORPORATION AND ARE NOT TO BE DISCLOSED, DUPLICATED, DISTRIBUTED OR OTHERWISE USED WITHOUT THE WRITTEN CONSENT OF REGAL-BELOIT CORPORATION. -ALL RIGHTS RESERVED.

REGAL REGAL-BELOIT CORPORATION

DESCRIPTION: MODEL-RFHP-48FR OUTLINE

SIZE C DWG NO FC1066AF

SCALE NONE SHEET 1



GREEN (GROUND)	12.0/13.0 [305/330]	.328 [8.33] RING
RED (1)	5.0/7.0 [127/178]	.50 [12.7] SKIN
RED (2)	5.0/7.0 [127/178]	.50 [12.7] SKIN
RED (3)	5.0/7.0 [127/178]	.50 [12.7] SKIN
YELLOW (4)	5.0/7.0 [127/178]	.50 [12.7] SKIN
YELLOW (5)	5.0/7.0 [127/178]	.50 [12.7] SKIN
YELLOW (6)	5.0/7.0 [127/178]	.50 [12.7] SKIN
BLUE (7)	5.0/7.0 [127/178]	.50 [12.7] SKIN
COLOR	LENGTH	TERMINAL OR STRIP LENGTH

MAIN FRAME - OLE	OPEN
END FRAME - OLE	OPEN
MAIN FRAME - LE	ENCLOSED
END FRAME - LE	OPEN

CUSTOMER	DISTRIBUTION SERVICE
----------	----------------------

4 3 2 1

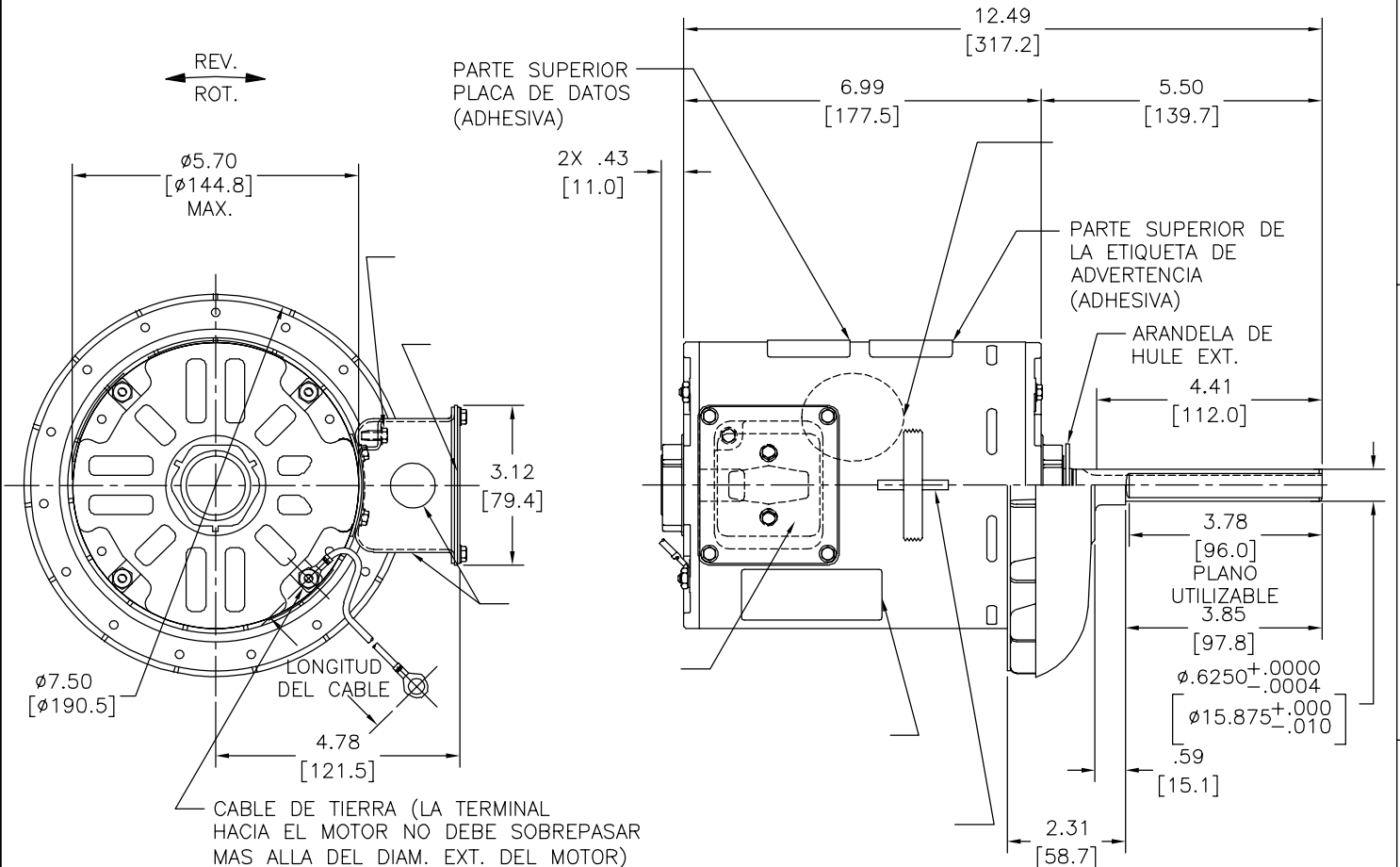
4 3 2 1

INFORMACION GENERAL:
 OSCILACION DE FLECHA: .001 [.03] T.I.R. PER INCH LENGTH OF EXTENSION

BALEROS: BALERO
POSICION DEL MONTAJE: FLECHA VERTICAL ENCIMA DE

INFORMACION ELECTRICA:
SOBRECARGA DEL PROTECTOR: REINICIO AUTOMATICO (SENSATA 7AM 304)
CABLES: NO. 18 GA., .03 [.8] THK. XLP 125°C AISLAM.
CABLE DE TIERRA: NO. 16 GA., .03 [.8] THK. (VERDE) AISLAM.

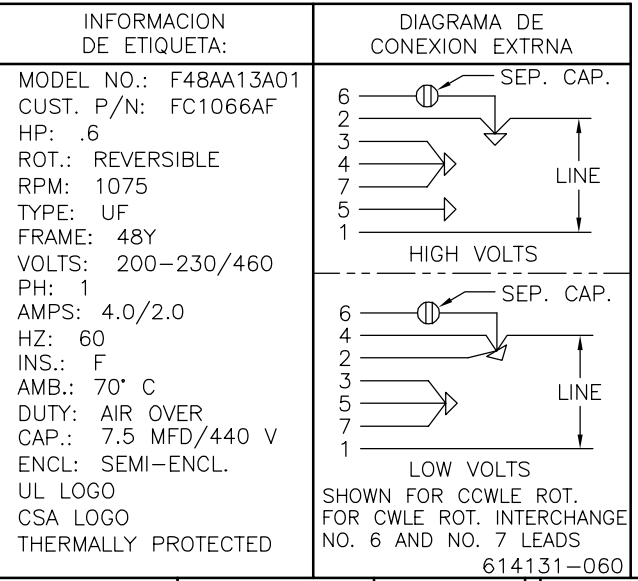
REVISION:	ECO	REVISADO POR:	FECHA:	APROBADO POR:	FECHA:
F	ECO-0028126	jrupert	10-24-2012	jrupert	10-24-2012



VERDE (TIERRA)	12.0/13.0 [305/330]	
ROJO (1)	5.0/7.0 [127/178]	.50 [12.7] DEL PIEL
ROJO (2)	5.0/7.0 [127/178]	.50 [12.7] DEL PIEL
ROJO (3)	5.0/7.0 [127/178]	.50 [12.7] DEL PIEL
AMARILLO (4)	5.0/7.0 [127/178]	.50 [12.7] DEL PIEL
AMARILLO (5)	5.0/7.0 [127/178]	.50 [12.7] DEL PIEL
AMARILLO (6)	5.0/7.0 [127/178]	.50 [12.7] DEL PIEL
AZUL (7)	5.0/7.0 [127/178]	.50 [12.7] DEL PIEL
COLOR	LONGITUD	TERMINAL O LONGITUD DE DESFORRE

DE CARCASA - OLE	ABIERTA
DE TAPA - OLE	ABIERTA
DE CARCASA - LE	ENCERRADO
DE TAPA - LE	ABIERTA

CLIENTE	DISTRIBUTION SERVICE
---------	----------------------



CURVAS DE FUNCIONAMIENTO	TORSION @ 1075 RPM (25°C)	MUESTRA APROBADA	COMPONENTE UL	CSA
C32798	45.0 OZ. FT.	0701420A	#ARCHIVO PRGY2	CLASE # 4211-01

CARACTERISTICAS DE GEOMETRIA Y SIMBOLOS

- PLANICIDAD
- RECTITUD
- ANGULARIDAD
- PERPENDICULARIDAD (A ESCUADRA)
- PARALELISMO
- REDONDEZ (CIRCULARIDAD)
- CILINDRICIDAD
- PERFIL DE CUALQUIER SUPERFICIE
- PERFIL DE CUALQUIER LINEA
- VARIACION
- POSICION REAL
- CONCENTRICIDAD
- SIMETRIA

ASME Y14.5M 1994

REGAL-BELOIT CORPORATION (RBC) PROVEE ASISTENCIA TECNICA A NUESTROS CLIENTES EN VARIAS AREAS. DESDE QUE RBC NO RECIBE TODOS LOS DATOS EN RELACION AL USO Y A LA APLICACION DEL MOTOR, LA APLICACION ADECUADA DEL MOTOR DEBE SER DETERMINADA POR EL CLIENTE.

DIMENSIONES SIN TOLERANCIA SON DE REFERENCIA SOLAMENTE

DIBUJADO POR: jrupert 09-25-2007
 APROBADO POR: cbranham 09-25-2007
 TERCER ANGULO DE PROYECCION

FECHA EDS: 11-11-2011
 REV. FORMATO: H

CONFIDENCIAL: ESTE DIBUJO Y SU INFORMACION SON PROPIEDAD DE USO EXCLUSIVO Y CONFIDENCIAL DE REGAL-BELOIT CORPORATION. Y NO DEBERAN SER REVELADOS, DUPLICADOS, DISTRIBUIDOS O USARSE DE OTRA MANERA SIN EL CONSENTIMIENTO ESCRITO DE REGAL-BELOIT CORPORATION. -TODOS LOS DERECHOS RESERVADOS.

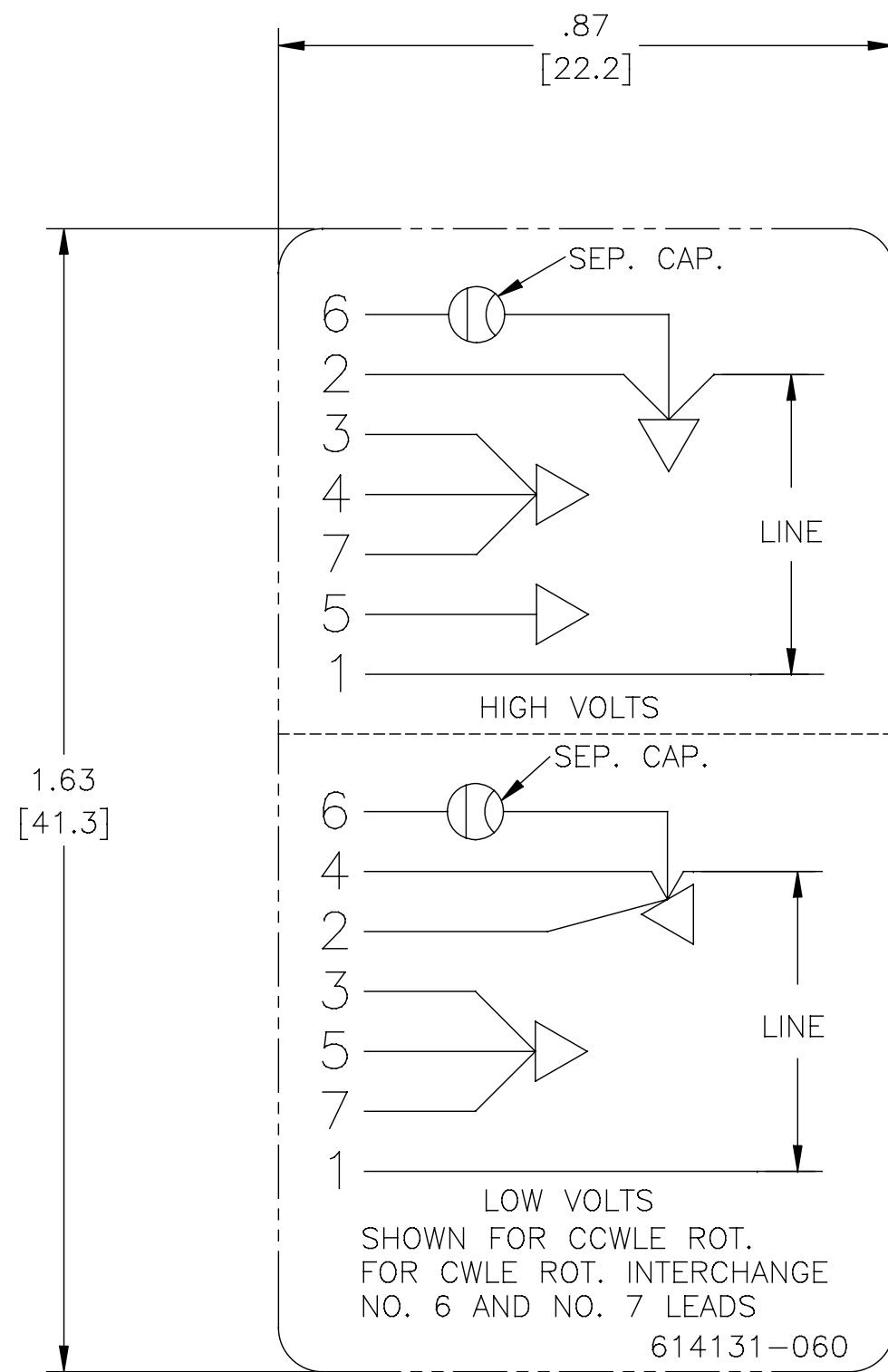
REGAL REGAL-BELOIT CORPORATION

DESCRIPCION: MODEL-RFHP-48FR OUTLINE

TAMAÑO: C NUMERO DE DIBUJO: FC1066AF

ESCALA: NONE HOJA: 1

4 3 2 1



NOTES:

1. FOR USE WITH 614129 NAMEPLATE BLANK(OR 2513020-001 NAMEPLATE BLANKS)
2. ——— INDICATES DIMENSION LIMITS

DRAWING REVISION C		REVISION BY C.ZHOU	DATE 07-30-2015	TOLERANCES UNLESS OTHERWISE SPECIFIED			DRAWN BY: Cherry.Zhang		Regal Beloit America, Inc.		
ECO 0082510		APPROVED BY C.ZHANG	DATE 07-30-2015	DEC.	INCH	mm	ANGLE	DATE: 03-28-2011			
ECO DESCRIPTION @ZONE B3 ADD REVERSING TEXT				.X	±0.1	[±0.5]	±0.5°	APPROVED BY: Tiger.Wang	DESCRIPTION CONN DIAGRAM-NAMEPLATE		
COPYRIGHT REGAL BELOIT AMERICA, INC. ALL RIGHTS RESERVED. PROPRIETARY AND CONFIDENTIAL INFORMATION - THIS DOCUMENT IS THE PROPERTY OF REGAL BELOIT AMERICA, INC. (OWNER) AND CONTAINS OWNER'S PROPRIETARY INFORMATION. ANY PERSON, CORPORATION OR OTHER FIRM RECEIVING IT IS DEEMED, BY RECEIVING IT, TO AGREE THAT IT, AND/OR ANY PART OF IT, SHALL NOT BE DISCLOSED TO ANY PERSON, CORPORATION OR OTHER ENTITY, DUPLICATED, AND/OR USED, EXCEPT AS EXPRESSLY APPROVED IN WRITING IN ADVANCE BY OWNER. THIS DOCUMENT SHALL BE RETURNED TO OWNER UPON REQUEST. IT MAY BE SUBJECT TO CERTAIN RESTRICTIONS UNDER APPLICABLE EXPORT CONTROL LAWS AND REGULATIONS.				.XX	±0.02	[±0.13]		DATE: 03-28-2011			
								.XXX	±0.005	[±0.013]	REFERENCE
				.XXXX	±0.0005	[±0.0013]		THIRD ANGLE PROJECTION	SIZE DWG NO	SHEET	
				REMOVE BURRS & BREAK SHARP EDGES .003/.015 [0.08/.38]	MACHINED SURFACES 125/INCH 3.2/mm				C	614131-060	1
				CORNER FILLETS .02 [.5]	mm SHOWN IN [BRACKETS]						