

PRODUCT INFORMATION PACKET



Model No: FC1086F
Catalog No: FC1086F

HEATMASTER® Condenser Fan Motor, .8 HP, 1 Ph, 60 Hz, 200-230/460 V, 1075 RPM, 1 Speed, 48 Frame,
OPEN



Regal and Century are trademarks of Regal Rexnord Corporation or one of its affiliated companies.
©2023 Regal Rexnord Corporation, All Rights Reserved. MC017097E





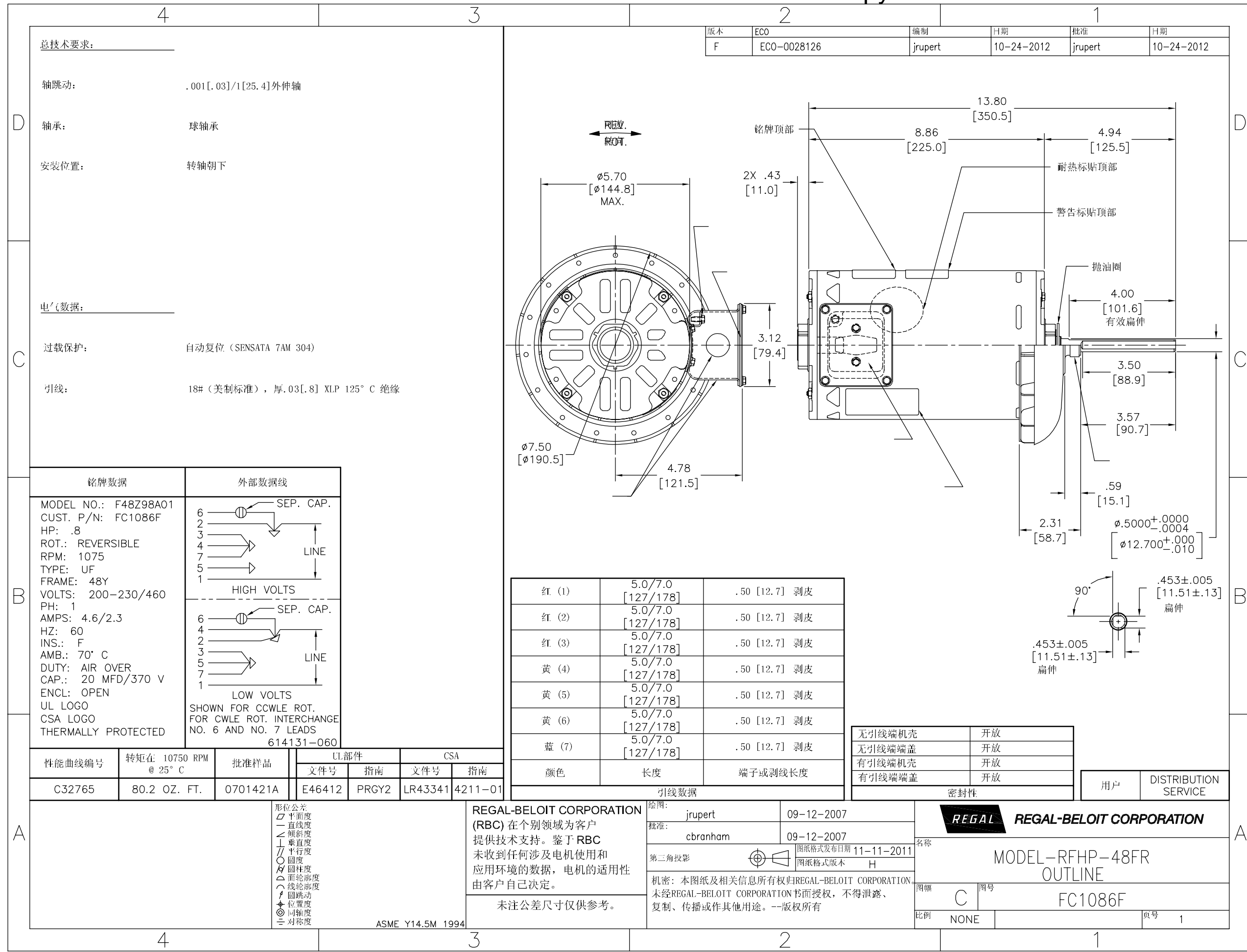
Nameplate Specifications

Phase	1	Output HP	.8 Hp
Output KW	0.60 kW	Voltage	200-230/460 V
Speed	1075 rpm	Service Factor	1
Frame	48Y	Enclosure	Open Enclosed
Thermal Protection	Automatic	Ambient Temperature	70 °C
Frequency	60 Hz	Current	4.6/2.3 A
Duty	Air Over	Insulation Class	F
UL	Recognized	CSA	Y
CE	N	Number of Speeds	1

Technical Specifications

Electrical Type	Permanent Split Capacitor	Starting Method	Across The Line
Poles	6	Rotation	Reversible
Mounting	Round Belly Band	Motor Orientation	Vertical Shaft Up
Drive End Bearing	Ball	Opp Drive End Bearing	Ball
Frame Material	Rolled Steel	Shaft Type	Double Flat
Overall Length	14.23 in	Frame Length	8.25 in
Shaft Diameter	0.500 in	Shaft Extension	3.6 in
Connection Drawing	614131-060	Outline Drawing	FC1086F-S01

This is an uncontrolled document once printed or downloaded and is subject to change without notice. Date Created:08/24/2023



总技术要求:

轴跳动: .001[.03]/1[25.4]外伸轴

轴承: 球轴承

安装位置: 转轴朝下

电气数据:

过载保护: 自动复位 (SENSATA 7AM 304)

引线: 18# (美制标准), 厚.03[.8] XLP 125° C 绝缘

铭牌数据	外部数据线
MODEL NO.: F48Z98A01 CUST. P/N: FC1086F HP: .8 ROT.: REVERSIBLE RPM: 1075 TYPE: UF FRAME: 48Y VOLTS: 200-230/460 PH: 1 AMPS: 4.6/2.3 HZ: 60 INS.: F AMB.: 70° C DUTY: AIR OVER CAP.: 20 MFD/370 V ENCL: OPEN UL LOGO CSA LOGO THERMALLY PROTECTED	

颜色	长度	端子或剥线长度
红 (1)	5.0/7.0 [127/178]	.50 [12.7] 剥皮
红 (2)	5.0/7.0 [127/178]	.50 [12.7] 剥皮
红 (3)	5.0/7.0 [127/178]	.50 [12.7] 剥皮
黄 (4)	5.0/7.0 [127/178]	.50 [12.7] 剥皮
黄 (5)	5.0/7.0 [127/178]	.50 [12.7] 剥皮
黄 (6)	5.0/7.0 [127/178]	.50 [12.7] 剥皮
蓝 (7)	5.0/7.0 [127/178]	.50 [12.7] 剥皮

选项	密封性
无引线端机壳	开放
无引线端端盖	开放
有引线端机壳	开放
有引线端端盖	开放

性能曲线编号	转矩在 10750 RPM @ 25° C	批准样品	UL 部件		CSA	
			文件号	指南	文件号	指南
C32765	80.2 OZ. FT.	0701421A	E46412	PRGY2	LR43341	4211-01

- 形位公差
- 平面度
- 直线度
- ∠ 倾斜度
- ⊥ 垂直度
- ∥ 平行度
- 圆度
- ⊘ 圆柱度
- ⊙ 面轮廓度
- ⌒ 线轮廓度
- ⊖ 圆跳动
- ⊕ 位置度
- ⊙ 同轴度
- ≡ 对称度

ASME Y14.5M 1994

REGAL-BELOIT CORPORATION (RBC) 在个别领域为客户提供技术支持。鉴于 RBC 未收到任何涉及电机使用和应用环境的数据，电机的适用性由客户自己决定。

未注公差尺寸仅供参考。

绘图:	jrupert	09-12-2007
批准:	cbranham	09-12-2007
第三角投影		图纸格式发布日期 11-11-2011 图纸格式版本 H
机密:	本图纸及相关信息所有权归 REGAL-BELOIT CORPORATION。未经 REGAL-BELOIT CORPORATION 书面授权，不得泄露、复制、传播或作其他用途。--版权所有	

REGAL REGAL-BELOIT CORPORATION	
名称 MODEL-RFHP-48FR OUTLINE	
图号 C	图号 FC1086F
比例 NONE	页号 1

4 3 2 1

GENERAL INFORMATION:

SHAFT RUNOUT: .001 [.03] T.I.R. PER INCH LENGTH OF EXTENSION

BEARINGS: BALL

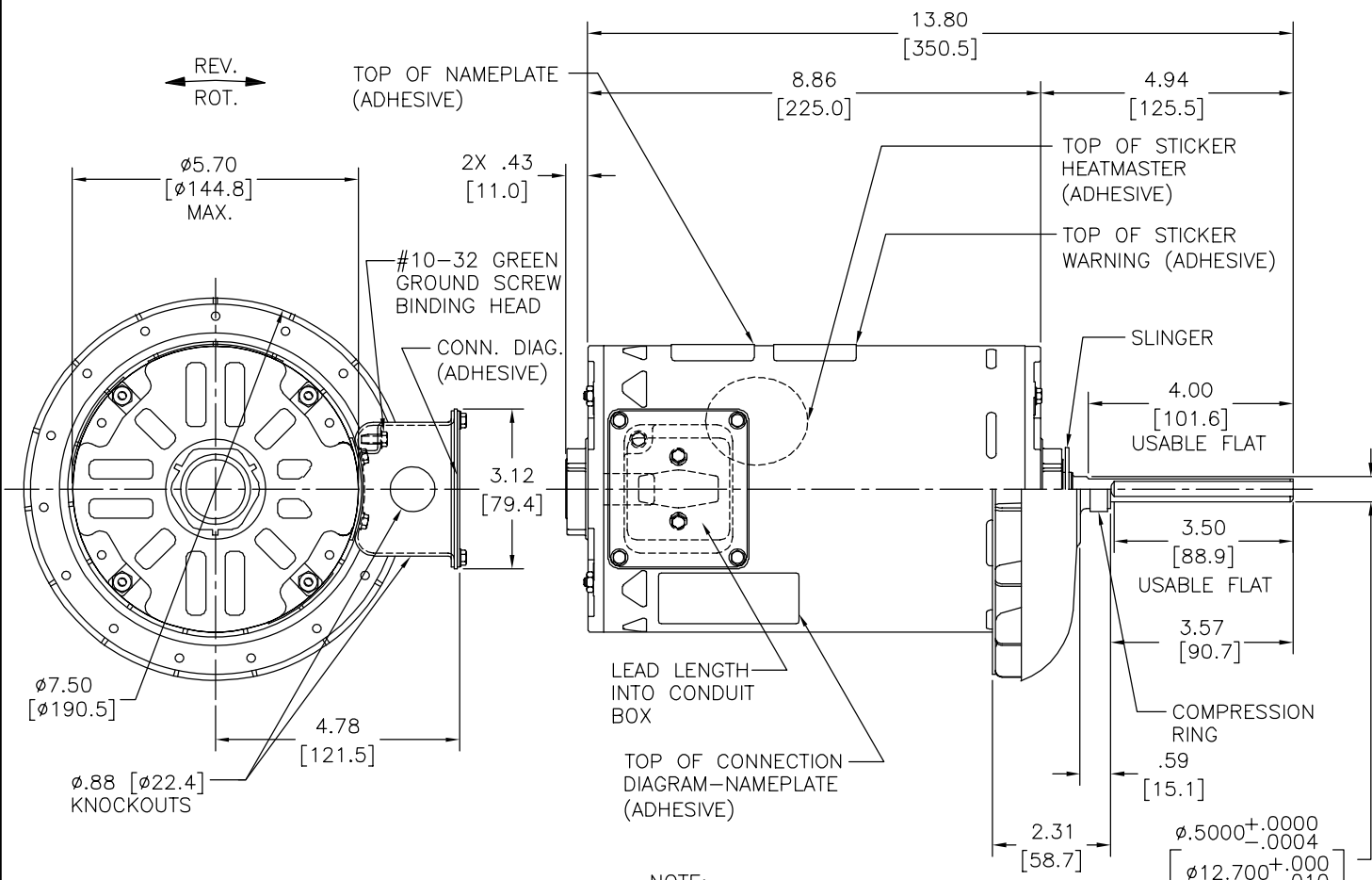
MOUNTING POSITION: VERTICAL SHAFT UP

ELECTRICAL DATA:

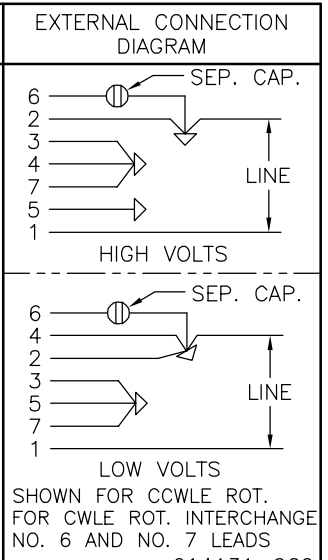
OVERLOAD PROTECTOR: AUTOMATIC RESET (SENSATA 7AM 304)

LEADS: NO. 18 GA., .03 [.8] THK. XLP 125°C INSUL.

REV	ECO	REV BY	DATE	APPD	DATE
F	ECO-0028126	jrupert	10-24-2012	jrupert	10-24-2012

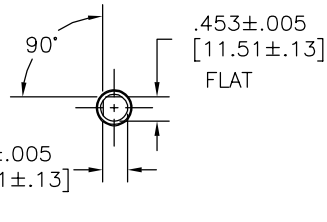


NAMEPLATE DATA:
 MODEL NO.: F48Z98A01
 CUST. P/N: FC1086F
 HP: .8
 ROT.: REVERSIBLE
 RPM: 1075
 TYPE: UF
 FRAME: 48Y
 VOLTS: 200-230/460
 PH: 1
 AMPS: 4.6/2.3
 HZ: 60
 INS.: F
 AMB.: 70° C
 DUTY: AIR OVER
 CAP.: 20 MFD/370 V
 ENCL: OPEN
 UL LOGO
 CSA LOGO
 THERMALLY PROTECTED



RED (1)	5.0/7.0 [127/178]	.50 [12.7] SKIN
RED (2)	5.0/7.0 [127/178]	.50 [12.7] SKIN
RED (3)	5.0/7.0 [127/178]	.50 [12.7] SKIN
YELLOW (4)	5.0/7.0 [127/178]	.50 [12.7] SKIN
YELLOW (5)	5.0/7.0 [127/178]	.50 [12.7] SKIN
YELLOW (6)	5.0/7.0 [127/178]	.50 [12.7] SKIN
BLUE (7)	5.0/7.0 [127/178]	.50 [12.7] SKIN
COLOR	LENGTH	TERMINAL OR STRIP LENGTH

NOTE:
 1. (1) KEY 605888-004
 (1) SHAFT ADAPTER 614675
 (1) INSTRUCTION SHEET 614795
 TO BE PUT IN POLY BAGS AND SHIPPED SEPARATE IN EACH CARTON WITH MOTOR.



PERFORMANCE CURVE NO.	TORQUE @ 1075 RPM (25°C)	APPROVED SAMPLE	UL COMPONENT FILE #	CCN #	CSA FILE #	CLASS #
C32765	80.2 OZ. FT.	0701421A	E46412	PRGY2	LR43341	4211-01

LEAD DATA

DR BY: jrupert 09-12-2007
 APPD: cbranham 09-12-2007
 EDS DATE 11-11-2011
 FORMAT REV H

THIRD ANGLE PROJECTION

CONFIDENTIAL: THIS DRAWING AND ITS INFORMATION ARE THE EXCLUSIVE AND CONFIDENTIAL PROPERTY OF REGAL-BELOIT CORPORATION AND ARE NOT TO BE DISCLOSED, DUPLICATED, DISTRIBUTED OR OTHERWISE USED WITHOUT THE WRITTEN CONSENT OF REGAL-BELOIT CORPORATION. -ALL RIGHTS RESERVED.

REGAL-BELOIT CORPORATION (RBC) PROVIDES TECHNICAL ASSISTANCE TO OUR CUSTOMERS IN SEVERAL AREAS. SINCE RBC DOES NOT RECEIVE ALL DATA CONCERNING THE USE AND APPLICATION OF THE MOTOR, THE SUITABILITY OF THE MOTOR FOR THE APPLICATION MUST BE DETERMINED BY THE CUSTOMER.

DIMENSIONS WITHOUT TOLERANCES ARE FOR REFERENCE ONLY.

ASME Y14.5M 1994

MAIN FRAME - OLE	OPEN
END FRAME - OLE	OPEN
MAIN FRAME - LE	OPEN
END FRAME - LE	OPEN

CUSTOMER	DISTRIBUTION SERVICE
----------	----------------------

GEOMETRIC CHARACTERISTICS & SYMBOLS
 ▮ FLATNESS
 - STRAIGHTNESS
 < ANGLARITY
 ⊥ PERPENDICULARITY (SQUARENESS)
 // PARALLELISM
 ○ ROUNDNESS (CIRCULARITY)
 ∅ CYLINDRICITY
 △ PROFILE OF ANY SURFACE
 ∩ PROFILE OF ANY LINE
 ∩ RUNOUT
 ⊕ TRUE POSITION
 ⊙ CONCENTRICITY
 = SYMMETRY

REGAL REGAL-BELOIT CORPORATION

DESCRIPTION: MODEL-RFHP-48FR OUTLINE

SIZE C DWG NO FC1086F

SCALE NONE SHEET 1

4 3 2 1

4 3 2 1

INFORMACION GENERAL:

OSCILACION DE FLECHA: .001 [.03] T.I.R. PER INCH LENGTH OF EXTENSION

BALEROS: BALERO

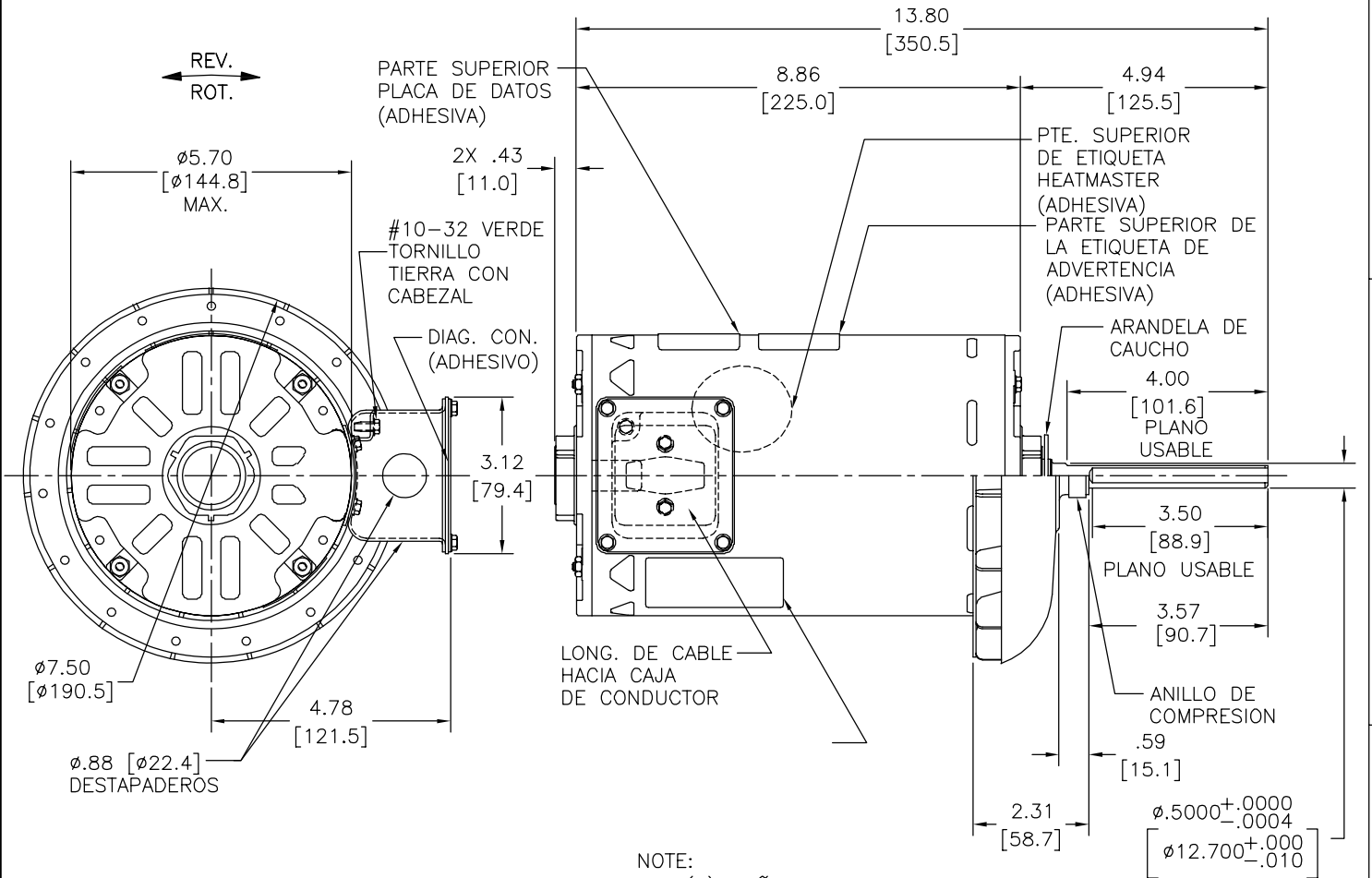
POSICION DEL MONTAJE: FLECHA VERTICAL ENCIMA DE

INFORMACION ELECTRICA:

SOBRECARGA DEL PROTECTOR: REINICIO AUTOMATIC (SENSATA 7AM 304)

CABLES: NO. 18 GA., .03 [.8] THK. XLP 125°C AISLAM.

REVISION:	ECO	REVISADO POR:	FECHA:	APROBADO POR:	FECHA:
F	ECO-0028126	jrupert	10-24-2012	jrupert	10-24-2012



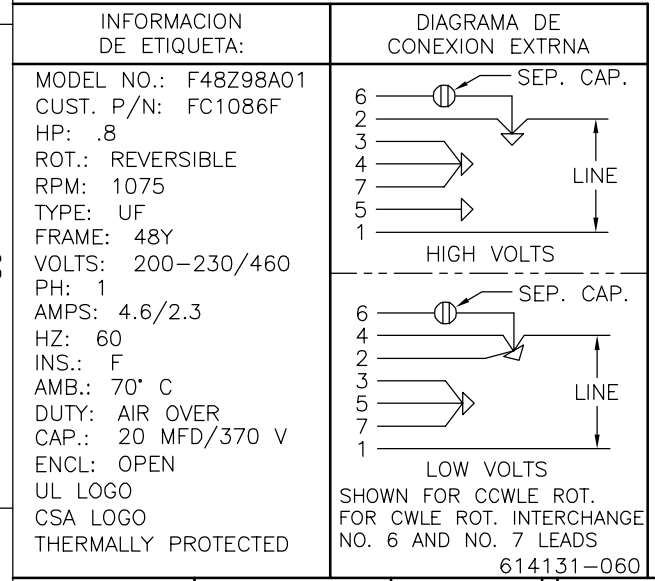
NOTE:

1. (1) CUÑA 605888-004
 (1) ADAPTADOR FLECHA 614675
 (1) HOJA DE INSTRUCCION 614795
 DEBEN SER PUESTAS EN BOLSAS Y ENVIADAS SEPARADAS EN CADA CARTON CON MOTOR.

ROJO (1)	5.0/7.0 [127/178]	.50 [12.7] DEL PIEL
ROJO (2)	5.0/7.0 [127/178]	.50 [12.7] DEL PIEL
ROJO (3)	5.0/7.0 [127/178]	.50 [12.7] DEL PIEL
AMARILLO (4)	5.0/7.0 [127/178]	.50 [12.7] DEL PIEL
AMARILLO (5)	5.0/7.0 [127/178]	.50 [12.7] DEL PIEL
AMARILLO (6)	5.0/7.0 [127/178]	.50 [12.7] DEL PIEL
AZUL (7)	5.0/7.0 [127/178]	.50 [12.7] DEL PIEL
COLOR	LONGITUD	TERMINAL O LONGITUD DE DESFORRE

DE CARCASA - OLE	ABIERTA
DE TAPA - OLE	ABIERTA
DE CARCASA - LE	ABIERTA
DE TAPA - LE	ABIERTA

CLIENTE	DISTRIBUTION SERVICE
---------	----------------------



CURVAS DE FUNCIONAMIENTO	TORSION @ 1075 RPM (25°C)	MUESTRA APROBADA	COMPONENTE UL	CSA
C32765	80.2 OZ. FT.	0701421A	#ARCHIVO PRGY2	CLASE # 4211-01

CARACTERISTICAS DE GEOMETRIA Y SIMBOLOS

- PLANICIDAD
- RECTITUD
- ANGULARIDAD
- PERPENDICULARIDAD (A ESCUADRA)
- PARALELISMO
- REDONDEZ (CIRCULARIDAD)
- CILINDRICIDAD
- PERFIL DE CUALQUIER SUPERFICIE
- PERFIL DE CUALQUIER LINEA
- VARIACION
- POSICION REAL
- CONCENTRICIDAD
- SIMETRIA

ASME Y14.5M 1994

REGAL-BELOIT CORPORATION (RBC) PROVEE ASISTENCIA TECNICA A NUESTROS CLIENTES EN VARIAS AREAS. DESDE QUE RBC NO RECIBE TODOS LOS DATOS EN RELACION AL USO Y A LA APLICACION DEL MOTOR, LA APLICACION ADECUADA DEL MOTOR DEBE SER DETERMINADA POR EL CLIENTE.

DIMENSIONES SIN TOLERANCIA SON DE REFERENCIA SOLAMENTE

DIBUJADO POR: jrupert 09-12-2007

APROBADO POR: cbranham 09-12-2007

TERCER ANGULO DE PROYECCION

FECHA EDS: 11-11-2011

REV. FORMATO: H

CONFIDENCIAL: ESTE DIBUJO Y SU INFORMACION SON PROPIEDAD DE USO EXCLUSIVO Y CONFIDENCIAL DE REGAL-BELOIT CORPORATION. Y NO DEBERAN SER REVELADOS, DUPLICADOS, DISTRIBUIDOS O USARSE DE OTRA MANERA SIN EL CONSENTIMIENTO ESCRITO DE REGAL-BELOIT CORPORATION. -TODOS LOS DERECHOS RESERVADOS.

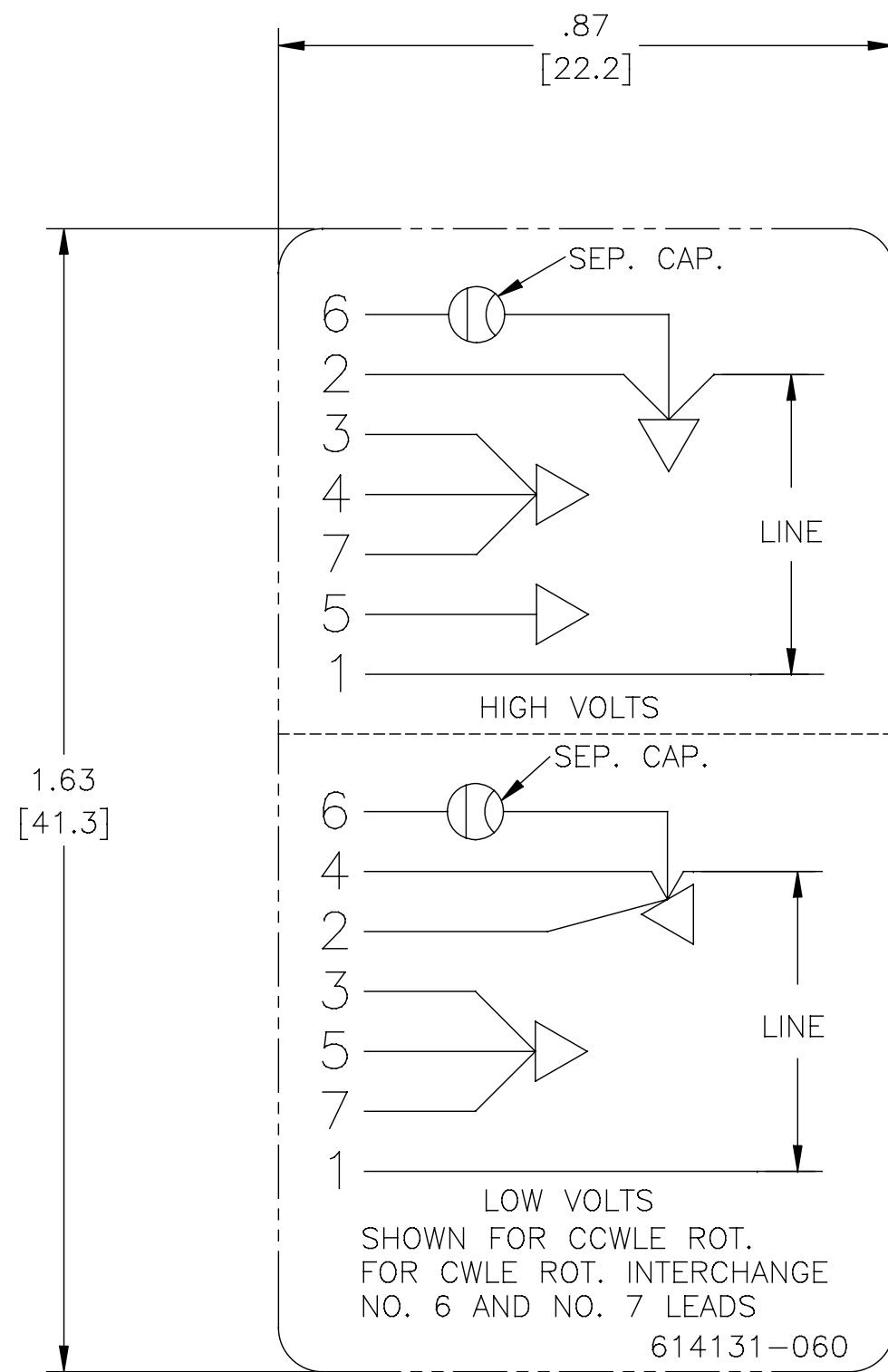
REGAL REGAL-BELOIT CORPORATION

DESCRIPCION: MODEL-RFHP-48FR OUTLINE

TAMAÑO: C NUMERO DE DIBUJO: FC1086F

ESCALA: NONE HOJA: 1

4 3 2 1



NOTES:

1. FOR USE WITH 614129 NAMEPLATE BLANK(OR 2513020-001 NAMEPLATE BLANKS)
2. ——— INDICATES DIMENSION LIMITS

DRAWING REVISION C		REVISION BY C.ZHOU	DATE 07-30-2015	TOLERANCES UNLESS OTHERWISE SPECIFIED			DRAWN BY: Cherry.Zhang		REGAL ™ Regal Beloit America, Inc.	
ECO 0082510		APPROVED BY C.ZHANG	DATE 07-30-2015	DEC.	INCH	mm	ANGLE	DATE: 03-28-2011		
ECO DESCRIPTION @ZONE B3 ADD REVERSING TEXT				.X	±0.1	[±0.5]	±0.5°	APPROVED BY: Tiger.Wang	DESCRIPTION CONN DIAGRAM-NAMEPLATE	
<small>COPYRIGHT REGAL BELOIT AMERICA, INC. ALL RIGHTS RESERVED. PROPRIETARY AND CONFIDENTIAL INFORMATION - THIS DOCUMENT IS THE PROPERTY OF REGAL BELOIT AMERICA, INC. (OWNERS) AND CONTAINS OWNERS PROPRIETARY INFORMATION. ANY PERSON, CORPORATION OR OTHER FIRM RECEIVING IT IS DEEMED, BY RECEIVING IT, TO AGREE THAT IT, AND/OR ANY PART OF IT, SHALL NOT BE DISCLOSED TO ANY PERSON, CORPORATION OR OTHER ENTITY, DUPLICATED, AND/OR USED, EXCEPT AS EXPRESSLY APPROVED IN WRITING IN ADVANCE BY OWNER. THIS DOCUMENT SHALL BE RETURNED TO OWNER UPON REQUEST. IT MAY BE SUBJECT TO CERTAIN RESTRICTIONS UNDER APPLICABLE EXPORT CONTROL LAWS AND REGULATIONS.</small>				.XX	±0.02	[±0.13]		DATE: 03-28-2011		
								.XXX	±0.005	[±0.013]
				.XXXX	±0.0005	[±0.0013]		MATERIAL	PROCESS/FINISH	
				REMOVE BURRS & BREAK SHARP				THIRD ANGLE PROJECTION	SIZE DWG NO	SHEET
				EDGES .003/.015 [0.08/.38]				C	614131-060	1
				CORNER FILLETS .02 [.5]						
				MACHINED SURFACES $\frac{125}{\text{INCH}} \sqrt{\frac{3.2}{\text{mm}}}$						
				mm SHOWN IN [BRACKETS]						