

# PRODUCT INFORMATION PACKET



Model No: FD1036  
Catalog No: FD1036

Fan and Blower Motor, 1/3 HP, 1 Ph, 60 Hz, 208-230 V, 1075 RPM, 3 Speed, 48 Frame, OPEN



Regal and Century are trademarks of Regal Rexnord Corporation or one of its affiliated companies.  
©2024 Regal Rexnord Corporation, All Rights Reserved. MC017097E





**Nameplate Specifications**

Phase	1	Output HP	1/3 Hp
Output KW	0.25 kW	Voltage	208-230 V
Speed	1075 rpm	Service Factor	1
Frame	48Y	Enclosure	Open Enclosed
Thermal Protection	Automatic	Ambient Temperature	50 °C
Frequency	60 Hz	Current	3.2 A
Duty	Air Over	Insulation Class	A
UL	Recognized	CSA	Y
CE	N	Number of Speeds	3

**Technical Specifications**

Electrical Type	Permanent Split Capacitor	Starting Method	Across The Line
Poles	6	Rotation	Reversible
Mounting	Resilient Rings	Motor Orientation	Horizontal
Drive End Bearing	Sleeve	Opp Drive End Bearing	Sleeve
Frame Material	Rolled Steel	Shaft Type	Flat
Overall Length	11.55 in	Frame Length	4.00 in
Shaft Diameter	0.500 in	Shaft Extension	6.5 in
Connection Drawing	614131-111	Outline Drawing	FD1036-S01

This is an uncontrolled document once printed or downloaded and is subject to change without notice. Date Created:11/06/2024

GENERAL INFORMATION:

SHAFT RUNOUT: .001 [.03] T.I.R. PER INCH LENGTH OF EXTENSION

BEARINGS: BALL

MOUNTING POSITION: HORIZONTAL

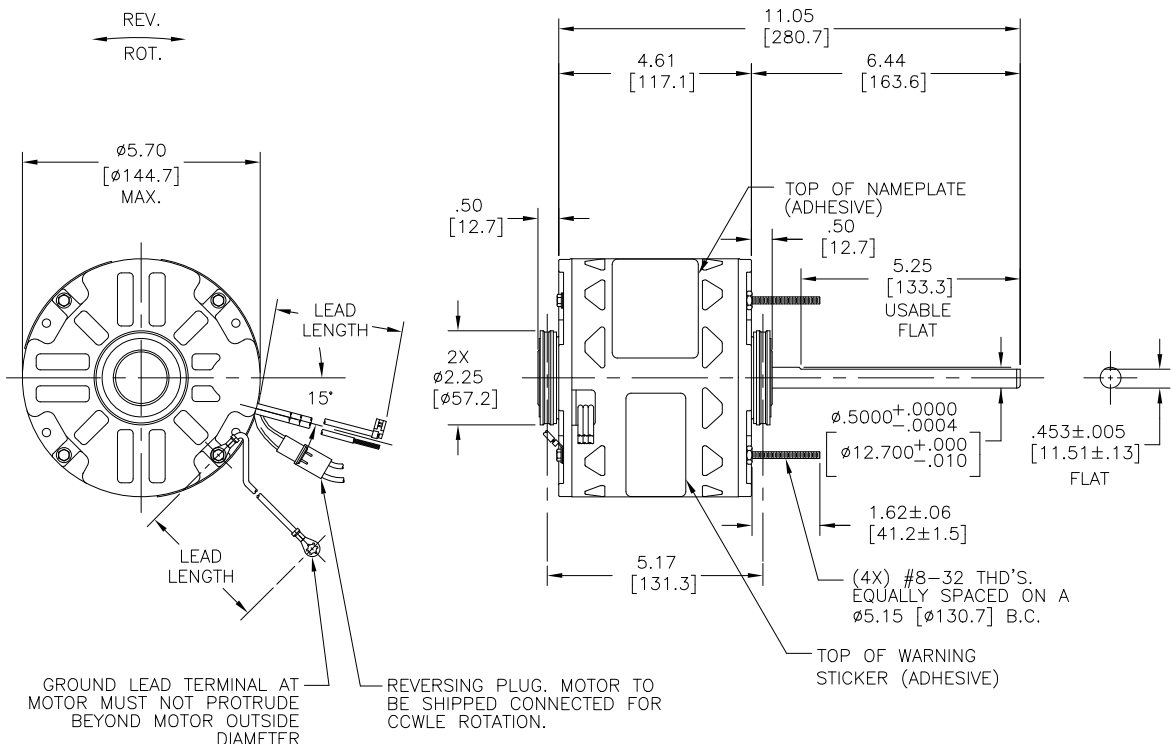
ELECTRICAL DATA:

OVERLOAD PROTECTOR: AUTOMATIC RESET (SENSATA 7AM 032)

LEADS: NO. 18 GA., .03 [.8] THK., XLP 125°C INSUL.

REVERSING LEADS: NO. 18 GA., .03 [.8] THK., XLP 125°C INSUL.

GROUND LEAD: NO. 18 GA., .03 [.8] THK., (GREEN) INSUL.



GROUND LEAD TERMINAL AT MOTOR MUST NOT PROTRUDE BEYOND MOTOR OUTSIDE DIAMETER

REVERSING PLUG. MOTOR TO BE SHIPPED CONNECTED FOR CCWLE ROTATION.

- NOTES:
1. SNAP RINGS 615035, 4 REQUIRED, TO BE PACKED WITH EACH MOTOR
  2. RoHS&REACH REQUIREMENT SEE EP000014
  3. CTQ REQUIREMENT SEE EP000105-008

REGAL-BELOIT CORPORATION (RBC) PROVIDES TECHNICAL ASSISTANCE TO OUR CUSTOMERS IN SEVERAL AREAS. SINCE RBC DOES NOT RECEIVE ALL DATA CONCERNING THE USE AND APPLICATION OF THE MOTOR, THE SUITABILITY OF THE MOTOR FOR THE APPLICATION MUST BE DETERMINED BY THE CUSTOMER.

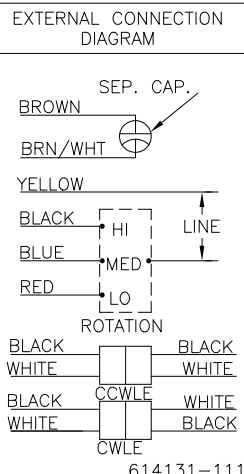
DIMENSIONS WITHOUT TOLERANCES ARE FOR REFERENCE ONLY.

ENCLOSURE		
END FRAME - LE	LE	OPEN
MAIN FRAME - LE	LE	OPEN
END FRAME - OLE	OLE	OPEN
MAIN FRAME - OLE	OLE	OPEN

CUSTOMER	DISTRIBUTION SERVICES
----------	-----------------------

NAMEPLATE DATA:

MODEL NO: F48SL6L14  
 CUST. P/N: FD1036  
 HP: 1/3  
 ROT.: REVERSIBLE  
 RPM: 1075/3 SPD.  
 TYPE: UF  
 FRAME: 48Y  
 VOLTS: 208-230  
 PH: 1  
 AMPS: 3.2  
 HZ: 60  
 INS.: A  
 AMB: 50°C  
 DUTY: AIR OVER  
 CAP.: 5 MFD/370V  
 ENCL: OPEN  
 CSA LOGO  
 UL LOGO  
 THERMALLY PROTECTED



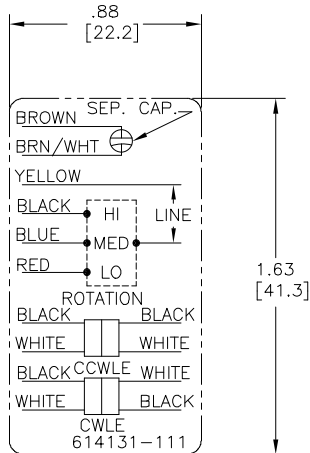
COLOR	LENGTH	TERMINAL OR STRIP LENGTH
GREEN(GRD)	12.0/13.0 [305/330]	#10 EYELET
BLACK/WHITE	3.0/5.0 [76/127]	REVERSING PLUG
BROWN	26.0/28.0 [660/711]	.25 [6.4] FLAG
BROWN/WHITE	26.0/28.0 [660/711]	.25 [6.4] FLAG
YELLOW	26.0/28.0 [660/711]	.50 [12.7] SKIN
BLACK	26.0/28.0 [660/711]	.50 [12.7] SKIN
BLUE	26.0/28.0 [660/711]	.50 [12.7] SKIN
RED	26.0/28.0 [660/711]	.50 [12.7] SKIN

COLOR	LENGTH	TERMINAL OR STRIP LENGTH
GREEN(GRD)	12.0/13.0 [305/330]	#10 EYELET
BLACK/WHITE	3.0/5.0 [76/127]	REVERSING PLUG
BROWN	26.0/28.0 [660/711]	.25 [6.4] FLAG
BROWN/WHITE	26.0/28.0 [660/711]	.25 [6.4] FLAG
YELLOW	26.0/28.0 [660/711]	.50 [12.7] SKIN
BLACK	26.0/28.0 [660/711]	.50 [12.7] SKIN
BLUE	26.0/28.0 [660/711]	.50 [12.7] SKIN
RED	26.0/28.0 [660/711]	.50 [12.7] SKIN

PERFORMANCE CURVE NO.	TORQUE @1075 RPM (25°C)	APPROVED SAMPLE	UL COMPONENT FILE #	CCN #	PRGY2	CSA FILE #	CLASS #
C22902	40.1 OZ. FT.	EX11217	E46412	PRGY2	LR43341	4211-01	

CRITICAL TO QUALITY CHARACTERISTICS(CTQs)	DRAWING REVISION ID	REVISION BY	DATE
(P) PROCESS	ECR-0236790	GELINE ZHAO	09-09-2024
(E) ENGINEERING	SEE ECR	APPROVED BY	DATE
(A) APPLICATION		DEXIAN LU	09-09-2024
(R) REGULATORY	COPYRIGHT REGAL-BELOIT AMERICA, INC. ALL RIGHTS RESERVED. PROPRIETARY AND CONFIDENTIAL INFORMATION - THIS DOCUMENT IS THE PROPERTY OF REGAL-BELOIT AMERICA, INC. (OWNER) AND CONTAINS OWNER'S PROPRIETARY INFORMATION. ANY PERSON OR ENTITY, INCLUDING BUT NOT LIMITED TO, BY RECEIVING IT, TO AGREE THAT IT, AND/OR ANY PART OF IT, SHALL NOT BE DISCLOSED TO ANY PERSON OR ENTITY, INCLUDING BUT NOT LIMITED TO, BY RECEIVING IT, AS EXPRESSLY APPROVED IN WRITING IN ADVANCE BY OWNER. THIS DOCUMENT SHALL BE RETURNED TO OWNER UPON REQUEST. IT MAY BE SUBJECT TO CERTAIN RESTRICTIONS UNDER APPLICABLE EXPORT CONTROL LAWS AND REGULATIONS.		
(L) LIFE			

DRAWN BY: S. THARP	DATE: 12-05-1995	APPROVED BY: D. CORBIN	DATE: 02-05-1992	PROCESS/FINISH	THIRD ANGLE PROJECTION
REGAL-BELOIT America, Inc.		DESCRIPTION: MODEL-RFHP-48FR OUTLINE		SIZE: C	DWG NO: FD1036
				SHEET: 1	



NOTES:

1. FOR USE WITH 614129 NAMEPLATE BLANK
2. ----- INDICATES DIMENSION LIMITS
3. DIE TO BE MADE FROM MASTER SUPPLIED BY A. O. SMITH CORPORATION
4. DIE MUST PRODUCE A LEGIBLE IMPRESSION.

DRAWING REVISION		REVISION BY	DATE	TOLERANCES UNLESS OTHERWISE SPECIFIED		DRAWN BY:		Regal Beloito America, Inc.		
D		J. RUPERT	04-14-2021	DEC.	INCH	mm	ANGLE		DESCRIPTION CONNECTION DIAGRAM EXTERNAL	
ECO		APPROVED BY	DATE	.X	±0.1	[±2.5]	±0.5°	APPROVED BY:		
NMR-0208129		J. RUPERT	04-14-2021	.XX	±0.02	[±0.51]		T. RILEY		
ECO DESCRIPTION				.XXX	±0.005	[±0.127]		DATE:		
UP ISSUED				.XXXX	±0.0005	[±0.0127]		05-25-2010		
COPYRIGHT REGAL BELOITO AMERICA, INC. ALL RIGHTS RESERVED. PROPRIETARY AND CONFIDENTIAL INFORMATION - THIS DOCUMENT IS THE PROPERTY OF REGAL BELOITO AMERICA, INC. ("OWNER") AND CONTAINS OWNER'S PROPRIETARY INFORMATION. ANY PERSON, CORPORATION OR OTHER FIRM RECEIVING IT IS DEEMED BY RECEIVING IT, TO AGREE THAT IT, AND/OR ANY PART OF IT, SHALL NOT BE DISCLOSED TO ANY PERSON, CORPORATION OR OTHER ENTITY, DUPLICATED, AND/OR USED, EXCEPT AS EXPRESSLY APPROVED IN WRITING IN ADVANCE BY OWNER. THIS DOCUMENT SHALL BE RETURNED TO OWNER UPON REQUEST. IT MAY BE SUBJECT TO CERTAIN RESTRICTIONS UNDER APPLICABLE EXPORT CONTROL LAWS AND REGULATIONS.				REMOVE BURRS & BREAK SHARP EDGES .003/.015 [076/381] X 45° CORNER FILLETS R.02 [51] MACHINED SURFACES		REFERENCE		MATERIAL	PROCESS/FINISH	
				4 of 4 mm SHOWN IN [BRACKETS]		THIRD ANGLE PROJECTION		SIZE	DWG NO	
								A	614131-111	SHEET
									1	