

# PRODUCT INFORMATION PACKET



Model No: FD6000  
Catalog No: FD6000

MASTERFIT™ Fan and Blower Motor, 1/2 MAX HP, 1 Ph, 60 Hz, 208-230 V, 1075 RPM, 4 Speed, 48 Frame,  
OPEN



Regal and Century are trademarks of Regal Rexnord Corporation or one of its affiliated companies.  
©2024 Regal Rexnord Corporation, All Rights Reserved. MC017097E





**Nameplate Specifications**

Phase	1	Output HP	1/2 MAX Hp
Output KW	0.37 kW	Voltage	208-230 V
Speed	1075 rpm	Service Factor	1
Frame	48Y	Enclosure	Open Enclosed
Thermal Protection	Automatic	Ambient Temperature	40 °C
Frequency	60 Hz	Current	3.9 MAX A
Duty	Air Over	Insulation Class	B
UL	Recognized	CSA	Y
CE	N	Number of Speeds	4

**Technical Specifications**

Electrical Type	Permanent Split Capacitor	Starting Method	Across The Line
Poles	6	Rotation	Reversible
Mounting	Resilient Ring/Extended Studs	Motor Orientation	Horizontal
Drive End Bearing	Ball	Opp Drive End Bearing	Ball
Frame Material	Rolled Steel	Shaft Type	Flat
Overall Length	10.36 in	Frame Length	4.25 in
Shaft Diameter	0.500 in	Shaft Extension	5 in
Connection Drawing	614131-265	Outline Drawing	FD6000-S01

This is an uncontrolled document once printed or downloaded and is subject to change without notice. Date Created:11/27/2024

GENERAL INFORMATION:

SHAFT RUNOUT: .001 [.03] T.I.R. PER INCH LENGTH OF EXTENSION

BEARINGS: BALL

MOUNTING POSITION: HORIZONTAL

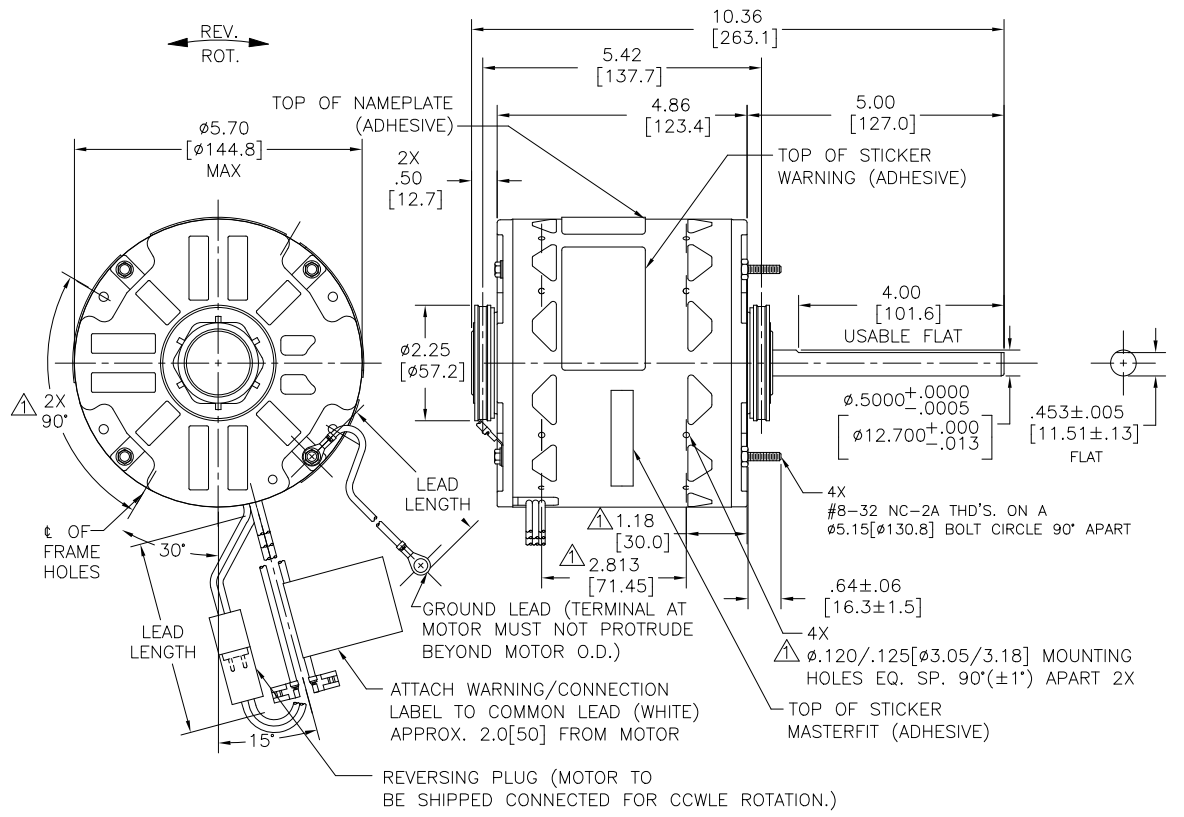
ELECTRICAL DATA:

OVERLOAD PROTECTOR: AUTOMATIC RESET (SENSATA 7AM 036)

LEADS: NO. 18 GA., .03 [.8] THK. XLP 125°C INSUL.

REVERSING PLUGS: NO. 18 GA., .03 [.8] THK. XLP 125°C INSUL.

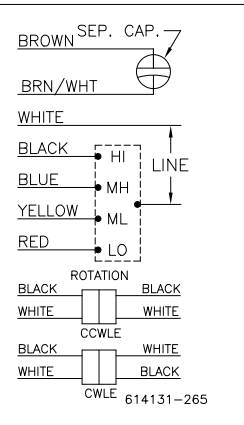
GROUND LEAD: NO. 18 GA., .03 [.8] THK. (GREEN) INSUL.



NAMEPLATE DATA:

MODEL NO.: F48N76A01  
 CUST. P/N: FD6000  
 HP: 1/2 MAX.  
 ROT.: REVERSIBLE  
 RPM: 1075/4 SPD.  
 TYPE: UF  
 FRAME: 48Y  
 VOLTS: 208-230  
 PH: 1  
 AMPS: 3.9 MAX.  
 HZ: 60  
 INS.: B  
 AMB.: 40° C  
 DUTY: AIR OVER  
 CAP.: 10 MFD/370 V  
 ENCL: OPEN  
 UL LOGO  
 CSA LOGO  
 THERMALLY PROTECTED

EXTERNAL CONNECTION DIAGRAM



PERFORMANCE CURVE NO.	TORQUE @ 1075 RPM (25°C)	APPROVED SAMPLE	UL COMPONENT FILE #	CCN #	CSA FILE #	CLASS #
C31865	56.7 OZ. FT.	99AC166A	E46412	PRGY2	LR43341	4211-01

COLOR	LENGTH	TERMINAL OR STRIP LENGTH
GREEN (GROUND)	9.0/11.0 [229/279]	.25 [6.4] RING
BLACK/WHITE	3.0/5.0 [76/127]	REVERSING PLUG
BROWN	36.5/39.5 [927/1003]	.25 [6.4] FLAG
BROWN/WHITE	36.5/39.5 [927/1003]	.25 [6.4] FLAG
RED	36.5/39.5 [927/1003]	.25 [6.4] FLAG
YELLOW	36.5/39.5 [927/1003]	.25 [6.4] FLAG
BLUE	36.5/39.5 [927/1003]	.25 [6.4] FLAG
BLACK	36.5/39.5 [927/1003]	.25 [6.4] FLAG
WHITE	36.5/39.5 [927/1003]	.25 [6.4] FLAG

LEAD DATA

NOTES:

- ▲ DENOTES CRITICAL CHARACTERISTICS
- 4X SPLIT RING ADAPTOR 615035, 8X SCREWS 615982-001 TO BE PUT IN A POLYBAG & BE PACKED WITH EACH MOTOR
- THE SYMBOL OF CTQ: ▲ (NO CTQ ON THIS DRAWING).
- MEET THE REQUIREMENT OF RoHS & REACH, SEE EPO00014\_5.1.

REGAL-BELOIT CORPORATION (RBC) PROVIDES TECHNICAL ASSISTANCE TO OUR CUSTOMERS IN SEVERAL AREAS. SINCE RBC DOES NOT RECEIVE ALL DATA CONCERNING THE USE AND APPLICATION OF THE MOTOR, THE SUITABILITY OF THE MOTOR FOR THE APPLICATION MUST BE DETERMINED BY THE CUSTOMER.

DIMENSIONS WITHOUT TOLERANCES ARE FOR REFERENCE ONLY.

MAIN FRAME - OLE	OPEN
END FRAME - OLE	OPEN
MAIN FRAME - LE	OPEN
END FRAME - LE	OPEN

CUSTOMER	DISTRIBUTION SERVICE
----------	----------------------

DRAWING REVISION	REVISION BY	DATE
ECO	ANJANI	11-11-2024
ECR-0238477	APPROVED BY: KEP	11-11-2024

ECO DESCRIPTION: REMOVED CONSERVATION LABEL AS PER ECR

COPYRIGHT REGAL-BELOIT AMERICA, INC. ALL RIGHTS RESERVED. PROPRIETARY AND CONFIDENTIAL INFORMATION - THIS DOCUMENT IS THE PROPERTY OF REGAL-BELOIT AMERICA, INC. (OWNER) AND COMPANY OWNER'S PROPRIETARY INFORMATION. ANY PERSON, CORPORATION OR OTHER ENTITY, DUPLICATED, AND/OR USED, EXCEPT BY RECEIVING IT TO AGREE THAT IT, AND/OR ANY PART OF IT, SHALL NOT BE DISCLOSED TO ANY PERSON, CORPORATION OR OTHER ENTITY, DUPLICATED, AND/OR USED, EXCEPT AS EXPRESSLY APPROVED IN WRITING IN ADVANCE BY OWNER. THIS DOCUMENT SHALL BE RETURNED TO OWNER UPON REQUEST. IT MAY BE SUBJECT TO CERTAIN RESTRICTIONS UNDER APPLICABLE EXPORT CONTROL LAWS AND REGULATIONS.

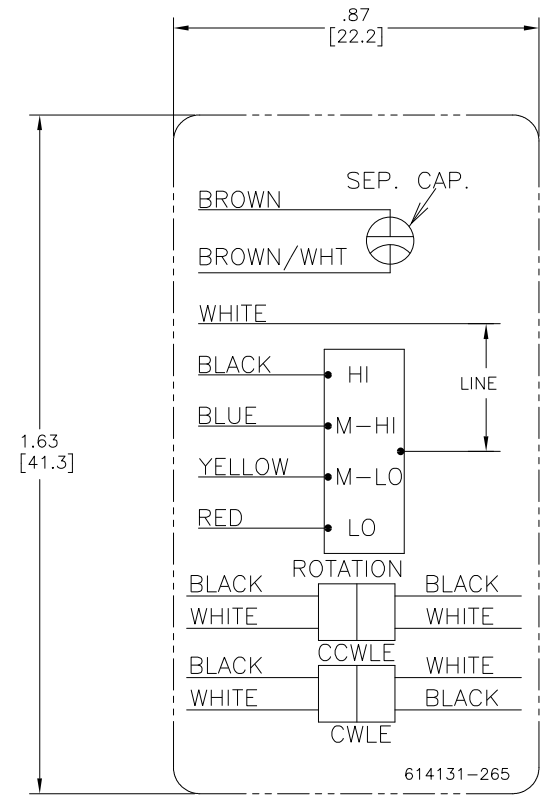
ENCLOSURE	DRAWN BY: E. SINECIO
	DATE: 06-13-2011
	APPROVED BY: J. RUPERT
	DATE: 06-13-2011
	REFERENCE
THIRD ANGLE PROJECTION	SIZE: C
	DWG NO: FD6000
	SHEET: 1

REGAL-BELOIT America, Inc.

DESCRIPTION: MODEL-RFHP-48FR OUTLINE

MATERIAL: \_\_\_\_\_ PROCESS/FINISH: \_\_\_\_\_

SIZE: C DWG NO: FD6000 SHEET: 1



- NOTES:
1. FOR USE WITH 614129 NAMEPLATE BLANK
  2. - - - - - INDICATES DIMENSION LIMITS
  3. DIE TO BE MADE FROM MASTER SUPPLIED BY REGAL
  4. DIE MUST PRODUCE A LEGIBLE IMPRESSION.

DRAWING REVISION G	REVISION BY J. RUPERT	DATE 04-19-2022	TOLERANCES UNLESS OTHERWISE SPECIFIED DEC. INCH mm ANGLE .X ±0.1 [±2.5] ±0.5° .XX ±0.02 [±0.51] .XXX ±0.005 [±0.127] XXXX ±0.0005 [±0.0127]	DRAWN BY: JZ	Regal Beloit America, Inc.
ECO NMR-0213524	APPROVED BY J. RUPERT	DATE 04-19-2022	REMOVED BURRS & BREAK SHARP EDGES .003/.015 [0.076/.381] X 45° CORNER FILLETS R.02 [51] MACHINED SURFACES .125/ mm 32/ INCH mm 32/ mm SHOWN IN [BRACKETS]	DATE: 03-31-2011	
ECO DESCRIPTION REVISED FOR UP ISSUE				APPROVED BY: CZ	DESCRIPTION CONN DIAGRAM-NAMEPLATE
<small>COPYRIGHT REGAL BELOIT AMERICA, INC. ALL RIGHTS RESERVED. PROPRIETARY AND CONFIDENTIAL INFORMATION - THIS DOCUMENT IS THE PROPERTY OF REGAL BELOIT AMERICA, INC. (OWNER) AND CONTAINS OWNER'S PROPRIETARY INFORMATION. ANY REPRODUCTION OR OTHER FIRM RECEIVING IT IS DENIED. BY RECEIVING IT, TO AGREE THAT IT, AND/OR ANY PART OF IT, SHALL NOT BE DISCLOSED TO ANY PERSON, CORPORATION OR OTHER ENTITY, DUPLICATED, AND/OR USED, EXCEPT AS EXPRESSLY APPROVED IN WRITING IN ADVANCE BY OWNER. THIS DOCUMENT SHALL BE RETURNED TO OWNER UPON REQUEST. IT MAY BE SUBJECT TO CERTAIN RESTRICTIONS UNDER APPLICABLE EXPORT CONTROL LAWS AND REGULATIONS.</small>				DATE: 03-31-2011	MATERIAL
				REFERENCE	PROCESS/FINISH
				THIRD ANGLE PROJECTION	SIZE DWG NO C 614131-265
					SHEET 1