

# PRODUCT INFORMATION PACKET



Model No: FD6000A  
Catalog No: FD6000A

MASTERFIT PRO® Fan and Blower Motor, 1/2-1/6 HP, 1 Ph, 60 Hz, 208-230 V, 1075 RPM, 4 Speed,  
48 Frame, OPEN



Regal and Century are trademarks of Regal Rexnord Corporation or one of its affiliated companies.  
©2022 Regal Rexnord Corporation, All Rights Reserved. MC017097E





### Nameplate Specifications

Output HP	1/2-1/6 Hp	Output KW	0.37 kW
Frequency	60 Hz	Voltage	208-230 V
Current	3.9 A	Speed	1075 rpm
Service Factor	1	Phase	1
Duty	Air Over	Insulation Class	B
Frame	48	Enclosure	Open Enclosed
Thermal Protection	Automatic	Ambient Temperature	40 °C
UL	Recognized	CSA	Y
CE	N	Number of Speeds	4

### Technical Specifications

Electrical Type	Permanent Split Capacitor	Starting Method	Across The Line
Poles	6	Rotation	Reversible
Mounting	Resilient Ring/Extended Studs	Motor Orientation	Horizontal
Drive End Bearing	Ball	Opp Drive End Bearing	Ball
Frame Material	Rolled Steel	Shaft Type	Flat
Overall Length	10.36 in	Frame Length	4.25 in
Shaft Diameter	0.500 in	Shaft Extension	5.0 in
Connection Drawing	614131-265	Outline Drawing	FD6000A_FA

This is an uncontrolled document once printed or downloaded and is subject to change without notice. Date Created:11/28/2022

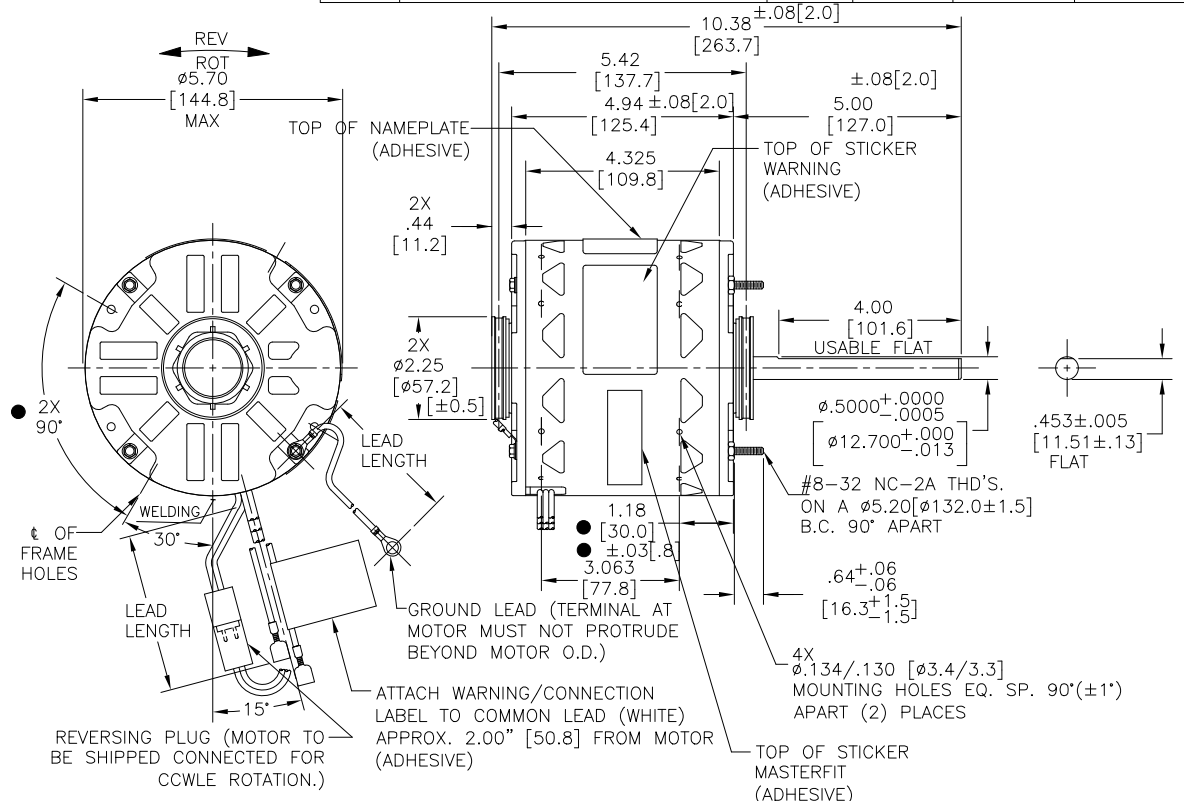
REV	ECO	REV BY	DATE	APPD	DATE
D	ECR-0216351 CONSERVATIONIST LABEL REMOVED	MG	01-02-22	LS	01-02-22

GENERAL INFORMATION:

SHAFT RUNOUT: .001[.03] T.I.R. PER INCH LENGTH OF EXTENSION  
 BEARINGS: BALL  
 MOUNTING POSITION: HORIZONTAL

ELECTRICAL DATA:

OVERLOAD PROTECTOR: AUTOMATIC RESET (SENSATA 7AM 036)  
 LEADS: NO. 18 GA., .03[.8] THK. XLP 125°C INSUL.  
 REVERSING PLUGS: NO. 18 GA., .03[.8] THK. XLP 125°C INSUL.  
 GROUND LEAD: NO. 18 GA., .03[.8] THK. (GREEN) INSUL.



SAMPLE SM19-493 NAMEPLATE DATA:	EXTERNAL CONNECTION DIAGRAM
MODEL NO.: 5KCP39MGDD706S CUST. P/N: FD6000A HP: 1/2-1/6 ROT.: REVERSIBLE RPM: 1075/4 SPD. TYPE: UF FRAME: 48 VOLTS: 208-230 PH: 1 AMPS: 3.9 MAX. HZ: 60 INS.: B AMB.: 40° C DUTY: AIR OVER CAP.: 10 OR 5 MFD/370 V THERMALLY PROTECTED	<p>BROWN SEP. CAP.</p> <p>BRN/WHT</p> <p>WHITE</p> <p>BLACK HI</p> <p>BLUE MH</p> <p>YELLOW ML</p> <p>RED LO</p> <p>ROTATION</p> <p>BLACK WHITE</p> <p>WHITE WHITE</p> <p>CCWLE</p> <p>BLACK WHITE</p> <p>WHITE BLACK</p> <p>CWLE 614131-265</p>

GREEN (GROUND)	9.0/11.0 [229/279]	.25 [6.4] RING
BLACK/WHITE	3.0/5.0 [76/127]	REVERSING PLUG
BROWN	36.5/39.5 [927/1003]	.25[6.4] FEMALE
BROWN/WHITE	36.5/39.5 [927/1003]	.25[6.4] FEMALE
RED	36.5/39.5 [927/1003]	.25[6.4] FEMALE
YELLOW	36.5/39.5 [927/1003]	.25[6.4] FEMALE
BLUE	36.5/39.5 [927/1003]	.25[6.4] FEMALE
BLACK	36.5/39.5 [927/1003]	.25[6.4] FEMALE
WHITE	36.5/39.5 [927/1003]	.25[6.4] FEMALE
COLOR	LENGTH	TERMINAL OR STRIP LENGTH

- NOTES:
- DENOTES CRITICAL CHARACTERISTICS.
  - (4) SPLIT RING ADAPTOR 615035 (OR 53P26-1 ONLY USED IN MEXICO), (8) SCREWS N194P1504B9, (1) 2518746-001 CLAMP AND (1) CAPACITOR 2509074-001 TO BE PUT IN A POLYBAG & BE PACKED WITH EACH MOTOR.
  - ALL LABEL READ FROM LE.
  - SPRING SHIM/THRUST WASHER IN OLE SIDE.

MAIN FRAME - OLE	OPEN
END FRAME - OLE	OPEN
MAIN FRAME - LE	OPEN
END FRAME - LE	OPEN

CUSTOMER	DISTRIBUTION SERVICE
----------	----------------------

GEOMETRIC CHARACTERISTICS & SYMBOLS  
 □ FLATNESS  
 — STRAIGHTNESS  
 ∠ ANGULARITY  
 ⊥ PERPENDICULARITY (SQUARENESS)  
 // PARALLELISM  
 ○ ROUNDNESS (CIRCULARITY)  
 ∅ CYLINDRICITY  
 ∩ PROFILE OF ANY SURFACE  
 ∩ PROFILE OF ANY LINE  
 ∩ RUNOUT  
 ⊕ TRUE POSITION  
 ⊕ CONCENTRICITY  
 = SYMMETRY  
 ASME Y14.5M 1994

REGAL-BELOIT CORPORATION (RBC) PROVIDES TECHNICAL ASSISTANCE TO OUR CUSTOMERS IN SEVERAL AREAS. SINCE RBC DOES NOT RECEIVE ALL DATA CONCERNING THE USE AND APPLICATION OF THE MOTOR, THE SUITABILITY OF THE MOTOR FOR THE APPLICATION MUST BE DETERMINED BY THE CUSTOMER.  
 DIMENSIONS WITHOUT TOLERANCES ARE FOR REFERENCE ONLY.

LEAD DATA

DR BY:	MK	20.01.20
APPD:	LS	20.02.20
THIRD ANGLE PROJECTION	⊕	EDS DATE 20.01.20 FORMAT REV H

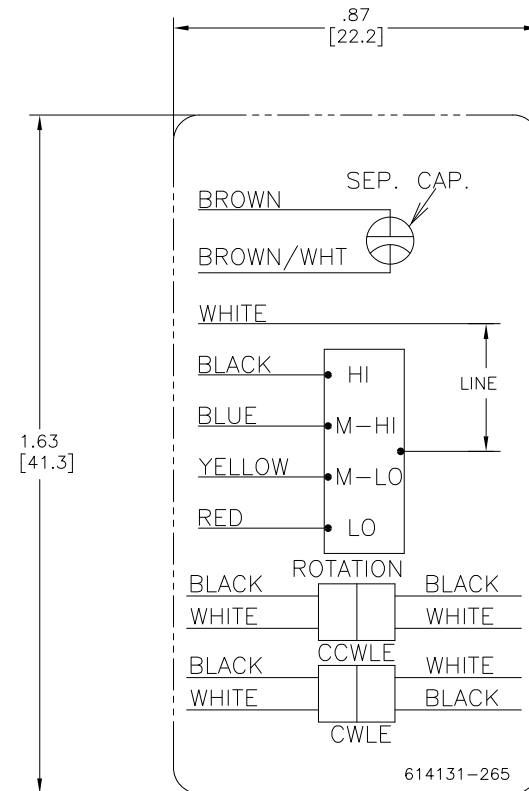
CONFIDENTIAL: THIS DRAWING AND ITS INFORMATION ARE THE EXCLUSIVE AND CONFIDENTIAL PROPERTY OF REGAL-BELOIT CORPORATION AND ARE NOT TO BE DISCLOSED, DUPLICATED, DISTRIBUTED OR OTHERWISE USED WITHOUT THE WRITTEN CONSENT OF REGAL-BELOIT CORPORATION. -ALL RIGHTS RESERVED.

**REGAL REGAL-BELOIT CORPORATION**

DESCRIPTION: MODEL-RFHP-48FR OUTLINE

SIZE: C DWG NO: FD6000A\_FA

SCALE: NONE SHEET: 1



- NOTES:
1. FOR USE WITH 614129 NAMEPLATE BLANK
  2. - - - - - INDICATES DIMENSION LIMITS
  3. DIE TO BE MADE FROM MASTER SUPPLIED BY REGAL
  4. DIE MUST PRODUCE A LEGIBLE IMPRESSION.

DRAWING REVISION G	REVISION BY J. RUPERT	DATE 04-19-2022	TOLERANCES UNLESS OTHERWISE SPECIFIED DEC. INCH mm ANGLE .X ±0.1 [±2.5] ±0.5° .XX ±0.02 [±0.51] .XXX ±0.005 [±0.127] XXXX ±0.0005 [±0.0127]	DRAWN BY: JZ	Regal Beloit America, Inc.
ECO NMR-0213524	APPROVED BY J. RUPERT	DATE 04-19-2022	REMOVED BURRS & BREAK SHARP EDGES .003/.015 [0.076/.381] X 45° CORNER FILLETS R.02 [51] MACHINED SURFACES .125/ mm 32/ INCH mm 32/ mm SHOWN IN [BRACKETS]	DATE: 03-31-2011	
ECO DESCRIPTION REVISED FOR UP ISSUE				APPROVED BY: CZ	DESCRIPTION CONN DIAGRAM-NAMEPLATE
<small>COPYRIGHT REGAL BELOIT AMERICA, INC. ALL RIGHTS RESERVED. PROPRIETARY AND CONFIDENTIAL INFORMATION - THIS DOCUMENT IS THE PROPERTY OF REGAL BELOIT AMERICA, INC. (OWNER) AND CONTAINS OWNER'S PROPRIETARY INFORMATION. ANY REPRODUCTION OR OTHER FIRM RECEIVING IT IS DENIED. BY RECEIVING IT, TO AGREE THAT IT, AND/OR ANY PART OF IT, SHALL NOT BE DISCLOSED TO ANY PERSON, CORPORATION OR OTHER ENTITY, DUPLICATED, AND/OR USED, EXCEPT AS EXPRESSLY APPROVED IN WRITING IN ADVANCE BY OWNER. THIS DOCUMENT SHALL BE RETURNED TO OWNER UPON REQUEST. IT MAY BE SUBJECT TO CERTAIN RESTRICTIONS UNDER APPLICABLE EXPORT CONTROL LAWS AND REGULATIONS.</small>				DATE: 03-31-2011	MATERIAL
				REFERENCE	PROCESS/FINISH
				THIRD ANGLE PROJECTION	SIZE DWG NO C 614131-265
					SHEET 1