

# PRODUCT INFORMATION PACKET



Model No: FDL1024

Catalog No: FDL1024

Fan and Blower Motor, 1/4 HP, 1 Ph, 60 Hz, 115 V, 1625 RPM, 3 Speed, 48 Frame, OPEN



Regal and Century are trademarks of Regal Rexnord Corporation or one of its affiliated companies.  
©2024 Regal Rexnord Corporation, All Rights Reserved. MC017097E





**Nameplate Specifications**

Phase	1	Output HP	1/4 Hp
Output KW	0.19 kW	Voltage	115 V
Speed	1625 rpm	Service Factor	1
Frame	48Y	Enclosure	Open Enclosed
Thermal Protection	Automatic	Ambient Temperature	40 °C
Frequency	60 Hz	Current	3.0 A
Duty	Air Over	Insulation Class	A
UL	Recognized	CSA	Y
CE	N	Number of Speeds	3

**Technical Specifications**

Electrical Type	Permanent Split Capacitor	Starting Method	Across The Line
Poles	4	Rotation	Reversible
Mounting	Resilient Rings	Motor Orientation	Any
Drive End Bearing	Ball	Opp Drive End Bearing	Ball
Frame Material	Rolled Steel	Shaft Type	Flat
Overall Length	11.30 in	Frame Length	3.75 in
Shaft Diameter	0.500 in	Shaft Extension	6.4 in
Connection Drawing	614131-111	Outline Drawing	FDL1024

This is an uncontrolled document once printed or downloaded and is subject to change without notice. Date Created:06/19/2024

GENERAL INFORMATION:

SHAFT RUNOUT: .001 [.03] T.I.R. PER INCH LENGTH OF EXTENSION

BEARINGS: BALL

MOUNTING POSITION: ALL ANGLE

ELECTRICAL DATA:

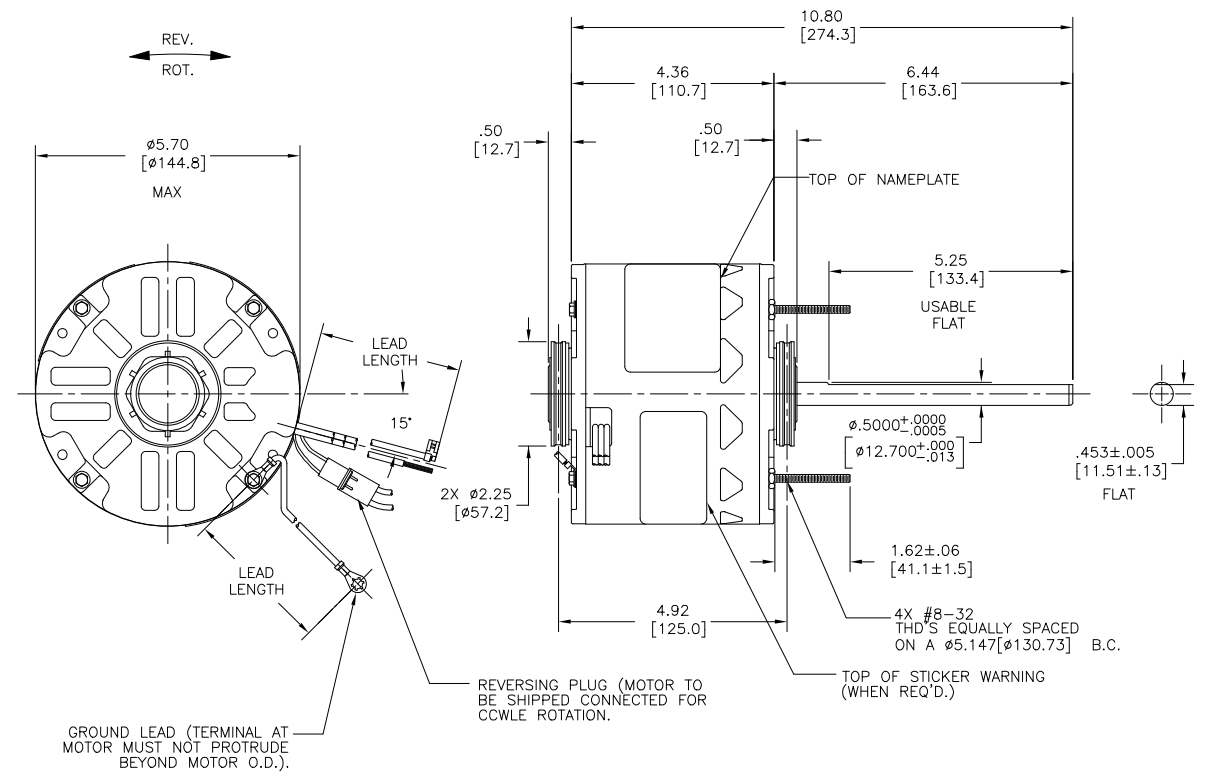
OVERLOAD PROTECTOR: AUTOMATIC RESET (SENSATA 7AM 032)

LEADS: NO. 18 GA., .06 [.15] THK., 125°C INSUL.

REVERSING LEADS: NO. 18 GA., .03 [.8] THK. 125°C INSUL.

GROUND LEAD: NO. 18 GA., .03 [.8] THK., (GREEN) INSUL.

- NOTE:
- 4X SNAP RINGS 615035 TO BE PACKED WITH EACH MOTOR
  - DISTRIBUTION: CUST. P/N: FDL1024  
GRAINGER: CUST. P/N: 4MA80
  - CTQ REQUIREMENT SEE EP000105-008.
  - RoHS & REACH REQUIREMENT SEE EP000014.



SEE NOTE 2

NAMEPLATE DATA:	EXTERNAL CONNECTION DIAGRAM
MODEL NO.: F48SG4L7 CUST. P/N: [ ] HP: 1/4 ROT.: REVERSIBLE RPM: 1625/3 SPD TYPE: UF FRAME: 48Y VOLTS: 115 PH: 1 AMPS: 3.0 (5.0 MAX) HZ: 60 INS.: A AMB.: 40°C DUTY: AIR OVER CAP.: 10 MFD/370V ENCL.: OPEN UL LOGO CSA LOGO THERMALLY PROTECTED	SEP. CAP. BROWN BROWN/W. YELLOW BLACK BLUE RED ROTATION BLACK WHITE BLACK WHITE CCWLE CWLE

GREEN(GRD)	11.0/13.0 [279/330]	#10 EYELET
BLACK/WHITE	3.0/6.0 [76/152]	REPEVISING PLUG
BROWN	26.0/28.0 [660/711]	.25 [6.4] FLAG
BROWN/WHITE	26.0/28.0 [660/711]	.25 [6.4] FLAG
YELLOW	26.0/28.0 [660/711]	.50 [15.2] SKIN
BLACK	26.0/28.0 [660/711]	.50 [15.2] SKIN
BLUE	26.0/28.0 [660/711]	.50 [15.2] SKIN
RED	26.0/28.0 [660/711]	.50 [15.2] SKIN
COLOR	LENGTH	TERMINAL OR STRIP LENGTH

REGAL-BELOIT CORPORATION (RBC) PROVIDES TECHNICAL ASSISTANCE TO OUR CUSTOMERS IN SEVERAL AREAS. SINCE RBC DOES NOT RECEIVE ALL DATA CONCERNING THE USE AND APPLICATION OF THE MOTOR, THE SUITABILITY OF THE MOTOR FOR THE APPLICATION MUST BE DETERMINED BY THE CUSTOMER.

DIMENSIONS WITHOUT TOLERANCES ARE FOR REFERENCE ONLY.

MAIN FRAME - OLE	OPEN
END FRAME - OLE	OPEN
MAIN FRAME - LE	OPEN
END FRAME - LE	OPEN

PERFORMANCE CURVE NO.	TORQUE @ 1625 RPM (25°C)	APPROVED SAMPLE	UL COMPONENT				CSA	
C23331	19.0 OZ. FT.	EX11395	FILE #	CCN #	FILE #	CLASS #		
			E46412	PRGY2	LR43341	4211-01		

LEAD DATA

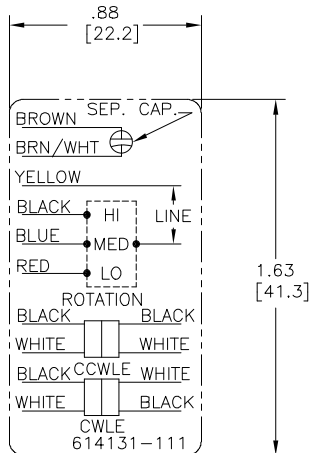
CRITICAL TO QUALITY CHARACTERISTICS(CTQs)	DRAWING REVISION	REVISION BY	DATE
(P) PROCESS	C	MINJING JIANG	06-12-2024
(E) ENGINEERING	ECO	APPROVED BY	DATE
(A) APPLICATION	ECR-0234757	DEXIANLI	06-12-2024
(R) REGULATORY	REMOVE CONSERVATIONIST LABEL		
(L) LIFE	COPYRIGHT REGAL-BELOIT AMERICA, INC. ALL RIGHTS RESERVED. PROPRIETARY AND CONFIDENTIAL INFORMATION - THIS DOCUMENT IS THE PROPERTY OF REGAL-BELOIT AMERICA, INC. (OWNER) AND COMPANY OWNER'S PROPRIETARY INFORMATION. ANY PERSON, CORPORATION OR OTHER ENTITY, DUPLICATED, AND/OR USED, EXCEPT BY RECEIVING IT TO AGREE THAT IT, AND/OR ANY PART OF IT, SHALL NOT BE DISCLOSED TO ANY PERSON, CORPORATION OR OTHER ENTITY, DUPLICATED, AND/OR USED, EXCEPT AS EXPRESSLY APPROVED IN WRITING IN ADVANCE BY OWNER. THIS DOCUMENT SHALL BE RETURNED TO OWNER UPON REQUEST. IT MAY BE SUBJECT TO CERTAIN RESTRICTIONS UNDER APPLICABLE EXPORT CONTROL LAWS AND REGULATIONS.		

ENCLOSURE

DRAWN BY: CADDIE.ZHOU		DESCRIPTION	MODEL-RFHP-48FR OUTLINE
DATE: 10-22-2019		MATERIAL	
APPROVED BY: KEYUN.GONG		PROCESS/FINISH	
DATE: 10-22-2019		SIZE DWG NO	
REFERENCE: 11760-029			
THIRD ANGLE PROJECTION			

CUSTOMER: [ ] DISTRIBUTION SERVICE: [ ]

FDL1024 SHEET 1



NOTES:

1. FOR USE WITH 614129 NAMEPLATE BLANK
2. ----- INDICATES DIMENSION LIMITS
3. DIE TO BE MADE FROM MASTER SUPPLIED BY A. O. SMITH CORPORATION
4. DIE MUST PRODUCE A LEGIBLE IMPRESSION.

DRAWING REVISION		REVISION BY	DATE	TOLERANCES UNLESS OTHERWISE SPECIFIED		DRAWN BY:		Regal Beloito America, Inc.		
D		J. RUPERT	04-14-2021	DEC.	INCH	mm	ANGLE		DESCRIPTION CONNECTION DIAGRAM EXTERNAL	
ECO		APPROVED BY	DATE	.X	±0.1	[±2.5]	±0.5°	APPROVED BY:		
NMR-0208129		J. RUPERT	04-14-2021	.XX	±0.02	[±0.51]		T. RILEY		
ECO DESCRIPTION				.XXX	±0.005	[±0.127]		DATE:		
UP ISSUED				.XXXX	±0.0005	[±0.0127]		05-25-2010		
COPYRIGHT REGAL BELOITO AMERICA, INC. ALL RIGHTS RESERVED. PROPRIETARY AND CONFIDENTIAL INFORMATION - THIS DOCUMENT IS THE PROPERTY OF REGAL BELOITO AMERICA, INC. ("OWNER") AND CONTAINS OWNER'S PROPRIETARY INFORMATION. ANY PERSON, CORPORATION OR OTHER FIRM RECEIVING IT IS DEEMED BY RECEIVING IT, TO AGREE THAT IT, AND/OR ANY PART OF IT, SHALL NOT BE DISCLOSED TO ANY PERSON, CORPORATION OR OTHER ENTITY, DUPLICATED, AND/OR USED, EXCEPT AS EXPRESSLY APPROVED IN WRITING IN ADVANCE BY OWNER. THIS DOCUMENT SHALL BE RETURNED TO OWNER UPON REQUEST. IT MAY BE SUBJECT TO CERTAIN RESTRICTIONS UNDER APPLICABLE EXPORT CONTROL LAWS AND REGULATIONS.				REMOVE BURRS & BREAK SHARP EDGES .003/.015 [076/381] X 45° CORNER FILLETS R.02 [51] MACHINED SURFACES		REFERENCE		MATERIAL	PROCESS/FINISH	
				4 of 4 mm SHOWN IN [BRACKETS]		THIRD ANGLE PROJECTION		SIZE	DWG NO	
								A	614131-111	SHEET
									1	