

PRODUCT INFORMATION PACKET



Model No: FDL1026

Catalog No: FDL1026

Fan and Blower Motor, 1/4 HP, 1 Ph, 60 Hz, 115 V, 1075 RPM, 3 Speed, 48 Frame, OAO



Regal and Century are trademarks of Regal Rexnord Corporation or one of its affiliated companies.

©2024 Regal Rexnord Corporation, All Rights Reserved. MC017097E





Nameplate Specifications

Phase	1	Output HP	1/4 Hp
Output KW	0.19 kW	Voltage	115 V
Speed	1075 rpm	Service Factor	1
Frame	48Y	Enclosure	Open Air Over
Thermal Protection	Automatic	Ambient Temperature	50 °C
Frequency	60 Hz	Current	4.3 A
Duty	Air Over	Insulation Class	A
UL	Recognized	CSA	Y
CE	N	Number of Speeds	3

Technical Specifications

Electrical Type	Permanent Split Capacitor	Starting Method	Across The Line
Poles	6	Rotation	Reversible
Mounting	Resilient Rings	Motor Orientation	Any
Drive End Bearing	Ball	Opp Drive End Bearing	Ball
Frame Material	Rolled Steel	Shaft Type	Flat
Overall Length	11.05 in	Frame Length	3.50 in
Shaft Diameter	0.500 in	Shaft Extension	6.4 in
Outline Drawing	FDL1026-S01		

This is an uncontrolled document once printed or downloaded and is subject to change without notice. Date Created:11/06/2024

GENERAL INFORMATION:

SHAFT RUNOUT: .001 [.03] T.I.R. PER INCH LENGTH OF EXTENSION

BEARINGS: BALL

MOUNTING POSITION: ALL ANGLE

ELECTRICAL DATA:

OVERLOAD PROTECTOR: AUTOMATIC RESET (SENSATA 7AM 032)

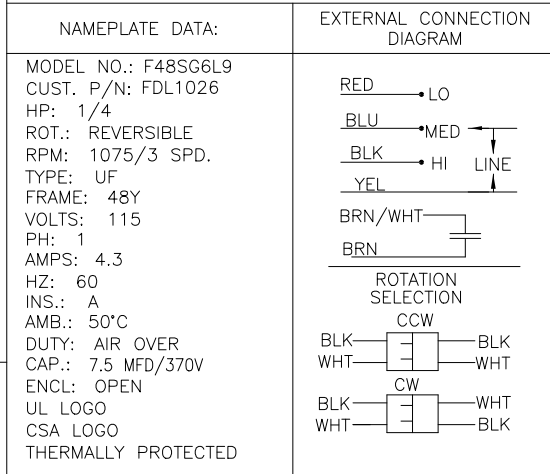
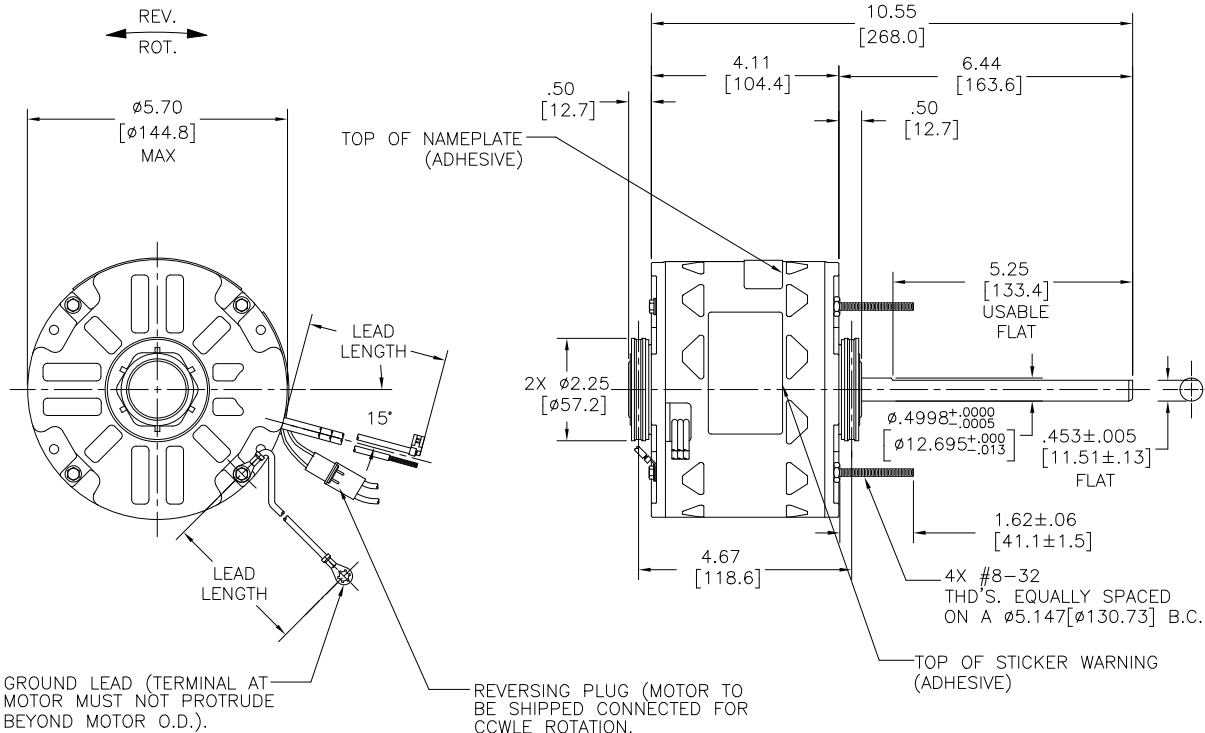
LEADS: NO. 18 GA., .03 [.8] THK. XLP 125°C INSUL.

REVERSING PLUGS: NO. 18 GA., .03 [.8] THK. 125°C INSUL.

GROUND LEAD: NO. 18 GA., .03 [.8] THK. (GREEN) INSUL.

NOTES:

- (4X) MOUNTING RINGS 53P26-1 TO BE PACKED WITH EACH MOTORS.
- CTQ REQUIREMENT SEE EP000105-008.
- RoHS & REACH ETC REQUIREMENT SEE EP000014



LEAD DATA		
COLOR	LENGTH	TERMINAL OR STRIP LENGTH
RED	26.0/28.0 [660/711]	.50 [12.7] SKIN
BLUE	26.0/28.0 [660/711]	.50 [12.7] SKIN
BLACK	26.0/28.0 [660/711]	.50 [12.7] SKIN
YELLOW	26.0/28.0 [660/711]	.50 [12.7] SKIN
BROWN/WHITE	26.0/28.0 [660/711]	.25 [6.4] FLAG
BROWN	26.0/28.0 [660/711]	.25 [6.4] FLAG
BLACK/WHITE	3.0/5.0 [76/127]	REVERSING PLUG
GREEN (GROUND)	12.0/13.0 [305/330]	#10 EYELET

REGAL-BELOIT CORPORATION (RBC) PROVIDES TECHNICAL ASSISTANCE TO OUR CUSTOMERS IN SEVERAL AREAS. SINCE RBC DOES NOT RECEIVE ALL DATA CONCERNING THE USE AND APPLICATION OF THE MOTOR, THE SUITABILITY OF THE MOTOR FOR THE APPLICATION MUST BE DETERMINED BY THE CUSTOMER.

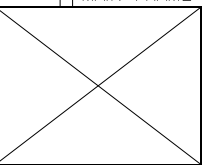
DIMENSIONS WITHOUT TOLERANCES ARE FOR REFERENCE ONLY.

ENCLOSURE	
END FRAME - LE	OPEN
MAIN FRAME - LE	OPEN
END FRAME - OLE	OPEN
MAIN FRAME - OLE	OPEN

CUSTOMER	DISTRIBUTION SERVICE
----------	----------------------

PERFORMANCE CURVE NO.	TORQUE @ 1075 RPM (25°C)	APPROVED SAMPLE	UL COMPONENT		CSA	
C22955	26.6 OZ. FT.	EX11214	FILE #	CCN #	FILE #	CLASS #
			E46412	PRGY2	LR43341	4211-01

CRITICAL TO QUALITY CHARACTERISTICS (CTQs) (P) PROCESS (E) ENGINEERING (A) APPLICATION (R) REGULATORY (L) LIFE	DRAWING REVISION	REVISION BY	DATE
	IF ECO	MINJING JIANG	06-12-2024
	ECR-0234757	APPROVED BY	DATE
	DEXIAN LU	06-12-2024	
	ECO DESCRIPTION REMOVE LABEL		
	COPYRIGHT REGAL-BELOIT AMERICA, INC. ALL RIGHTS RESERVED. PROPRIETARY AND CONFIDENTIAL INFORMATION - THIS DOCUMENT IS THE PROPERTY OF REGAL-BELOIT AMERICA, INC. (OWNER) AND CONTAINS OWNER'S PROPRIETARY INFORMATION. ANY PERSON, CORPORATION OR OTHER ENTITY, DUPLICATED, AND/OR REPRODUCED, BY RECEIVING IT, TO AGREE THAT IT, AND/OR ANY PART OF IT, SHALL NOT BE DISCLOSED TO ANY PERSON, CORPORATION OR OTHER ENTITY, DUPLICATED, AND/OR REPRODUCED, EXCEPT AS EXPRESSLY APPROVED IN WRITING IN ADVANCE BY OWNER. THIS DOCUMENT SHALL BE RETURNED TO OWNER UPON REQUEST. IT MAY BE SUBJECT TO CERTAIN RESTRICTIONS UNDER APPLICABLE EXPORT CONTROL LAWS AND REGULATIONS.		



DRAWN BY:	MH	Regal Beloit America, Inc.
DATE:	03-18-2009	
APPROVED BY:	FJ	DESCRIPTION
DATE:	03-18-2009	MODEL-RFHP-48FR
PROCESS/FINISH		OUTLINE
THIRD ANGLE PROJECTION		MATERIAL
	SIZE DWG NO	FDL1026
		SHEET 1