

# PRODUCT INFORMATION PACKET



Model No: FDL1056  
Catalog No: FDL1056

Fan and Blower Motor, 1/2 HP, 1 Ph, 60 Hz, 115 V, 1075 RPM, 3 Speed, 48 Frame, OAO



Regal and Century are trademarks of Regal Rexnord Corporation or one of its affiliated companies.  
©2024 Regal Rexnord Corporation, All Rights Reserved. MC017097E





**Nameplate Specifications**

|                     |           |                |               |
|---------------------|-----------|----------------|---------------|
| Phase               | 1         | Output HP      | 1/2 Hp        |
| Output KW           | 0.37 kW   | Voltage        | 115 V         |
| Speed               | 1075 rpm  | Service Factor | 1.0           |
| Frame               | 48Y       | Enclosure      | Open Air Over |
| Thermal Protection  | Automatic | Efficiency     | 65 %          |
| Ambient Temperature | 50 °C     | Frequency      | 60 Hz         |
| Current             | 7.4 A     | Duty           | Air Over      |
| Insulation Class    | A         | UL             | Recognized    |
| CSA                 | Y         | CE             | N             |
| Number of Speeds    | 3         |                |               |

**Technical Specifications**

|                   |                           |                       |                 |
|-------------------|---------------------------|-----------------------|-----------------|
| Electrical Type   | Permanent Split Capacitor | Starting Method       | Across The Line |
| Poles             | 6                         | Rotation              | Reversible      |
| Mounting          | Resilient Rings           | Motor Orientation     | Horizontal      |
| Drive End Bearing | Ball                      | Opp Drive End Bearing | Ball            |
| Frame Material    | Rolled Steel              | Shaft Type            | Flat            |
| Overall Length    | 12.05 in                  | Frame Length          | 5.19 in         |
| Shaft Diameter    | 0.500 in                  | Shaft Extension       | 6.5 in          |
| Outline Drawing   | FDL1056_FA                | Connection Drawing    | 614131-111      |

This is an uncontrolled document once printed or downloaded and is subject to change without notice. Date Created:09/17/2024

| REV | ECCO                                      | REV BY | DATE     | APPD | DATE     |
|-----|---|--------|----------|------|----------|
| E   | ECR-0216351 CONSERVATIONIST LABEL REMOVED | MG     | 15-04-22 | LS   | 15-04-22 |

**GENERAL INFORMATION:**

SHAFT RUNOUT: .001[.03] T.I.R. PER INCH LENGTH OF EXTENSION.

BEARINGS: BALL

MOUNTING POSITION: HORIZONTAL

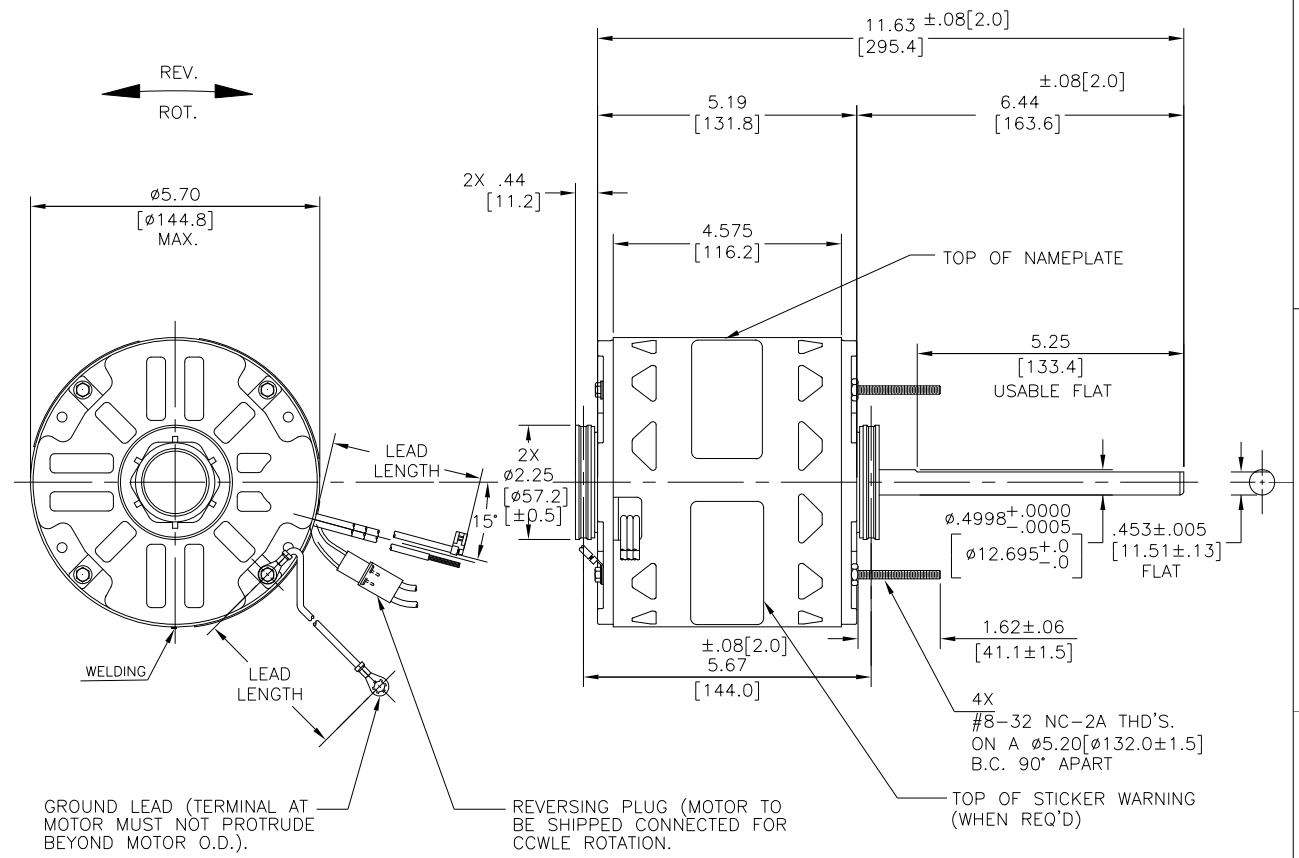
**ELECTRICAL DATA:**

OVERLOAD PROTECTOR: AUTOMATIC RESET (T.I. 7AM 032)

LEADS: NO. 18 GA., .03[.8] THK. 125°C INSUL.

REVERSING LEADS: NO. 18 GA., .03[.8] THK. 125°C INSUL.

GROUND LEAD: NO. 18 GA., .03[.8] THK., (GREEN) INSUL.



GROUND LEAD (TERMINAL AT MOTOR MUST NOT PROTRUDE BEYOND MOTOR O.D.).

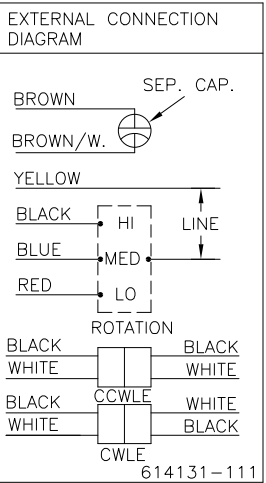
REVERSING PLUG (MOTOR TO BE SHIPPED CONNECTED FOR CCWLE ROTATION).

TOP OF STICKER WARNING (WHEN REQ'D)

SAMPLE SM19-505  
NAMEPLATE DATA:

MODEL: 5KCP39NGDD708S  
CUST. P/N: FDL1056  
HP: 1/2  
ROT.: REVERSIBLE  
RPM: 1075/3 SPD.  
TYPE: UF  
FRAME: 48Y  
VOLTS: 115  
PH: 1  
AMPS: 7.4  
HZ: 60  
INS.: B  
AMB: 50 °C  
DUTY: AIR OVER  
CAP.: 10 MFD/370 V  
THERMALLY PROTECTED

**REGAL**  
E27885  
MADE IN INDIA



| COLOR       | LENGTH              | TERMINAL OR STRIP LENGTH |
|-------------|---------------------|--------------------------|
| GREEN (GRD) | 12.0/13.0 [305/330] | #10 EYELET               |
| BLACK/WHITE | 3.0/5.0 [76/127]    | REVERSING PLUG           |
| BROWN       | 26.0/28.0 [660/711] | .25[6.4] FLAG            |
| BROWN/WHITE | 26.0/28.0 [660/711] | .25[6.4] FLAG            |
| YELLOW      | 26.0/28.0 [660/711] | .50[12.7] SKIN           |
| BLACK       | 26.0/28.0 [660/711] | .50[12.7] SKIN           |
| BLUE        | 26.0/28.0 [660/711] | .50[12.7] SKIN           |
| RED         | 26.0/28.0 [660/711] | .50[12.7] SKIN           |

- NOTE:
- SNAP RINGS 615035(4 REQ'D) TO BE PACKED WITH EACH MOTOR.
  - DISTRIBUTION: CUST. P/N: FDL1056 GRAINGER: CUST. P/N: 4MA70
  - ALL LABEL READ FROM LE.
  - SPRING SHIM/THRUST WASHER IN OLE SIDE.

|              |      |
|--------------|------|
| MAIN FR.-OLE | OPEN |
| END FR.-OLE  | OPEN |
| MAIN FR.-LE  | OPEN |
| END FR.-LE   | OPEN |

CUST. DISTRIBUTION SERVICE

GEOMETRIC CHARACTERISTICS & SYMBOLS

- FLATNESS
- STRAIGHTNESS
- ANGULARITY
- PERPENDICULARITY (SQUARENESS)
- PARALLELISM
- ROUNDNESS (CIRCULARITY)
- CYLINDRICITY
- PROFILE OF ANY SURFACE
- PROFILE OF ANY LINE
- RUNOUT
- TRUE POSITION
- CONCENTRICITY
- SYMMETRY

ASME Y14.5M 1994

REGAL-BELOIT CORPORATION (RBC) PROVIDES TECHNICAL ASSISTANCE TO OUR CUSTOMERS IN SEVERAL AREAS. SINCE RBC DOES NOT RECEIVE ALL DATA CONCERNING THE USE AND APPLICATION OF THE MOTOR, THE SUITABILITY OF THE MOTOR FOR THE APPLICATION MUST BE DETERMINED BY THE CUSTOMER.

DIMENSIONS WITHOUT TOLERANCES ARE FOR REFERENCE ONLY.

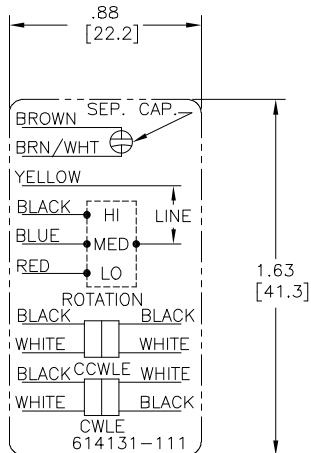
DR BY: MK 21.01.20  
APPD: .LS .21.01.20  
THIRD ANGLE PROJECTION  
EDS DATE  
FORMAT REV G  
CONFIDENTIAL: THIS DRAWING AND ITS INFORMATION ARE THE EXCLUSIVE AND CONFIDENTIAL PROPERTY OF REGAL-BELOIT CORPORATION AND ARE NOT TO BE DISCLOSED, DUPLICATED, DISTRIBUTED OR OTHERWISE USED WITHOUT THE WRITTEN CONSENT OF REGAL-BELOIT CORPORATION. -ALL RIGHTS RESERVED.

**REGAL** REGAL-BELOIT CORPORATION

DESCRIPTION: MODEL-RFHP-48FR OUTLINE

SIZE: C DWG NO: FDL1056\_FA

SCALE: NONE SHEET: 1



## NOTES:

1. FOR USE WITH 614129 NAMEPLATE BLANK
2. ———— INDICATES DIMENSION LIMITS
3. DIE TO BE MADE FROM MASTER SUPPLIED BY A. O. SMITH CORPORATION
4. DIE MUST PRODUCE A LEGIBLE IMPRESSION.

|  |                          |                    |  |                             |                             |
|--|--------------------------|--------------------|--|-----------------------------|-----------------------------|
| DRAWING REVISION<br>D  | REVISION BY<br>J. RUPERT | DATE<br>04-14-2021 | TOLERANCES UNLESS<br>OTHERWISE SPECIFIED   | DRAWN BY:<br>J. RUPERT      | Regal Beloito America, Inc. |
| ECO<br>NMR-0208129   | APPROVED BY<br>J. RUPERT | DATE<br>04-14-2021 | DEC. INCH mm ANGLE<br>.X ±0.1 [±2.5] ±0.5°<br>.XX ±0.02 [±0.51]<br>.XXX ±0.005 [±0.127]<br>.XXXX ±0.0005 [±0.0127] | DATE:<br>05-25-2021         |                             |
| ECO DESCRIPTION<br>UP ISSUED   |                          |                    | REMOVE BURRS & BREAK SHARP<br>EDGES .003/.015 [076/381] X 45°<br>CORNER FILLETS R.02 [51]<br>MACHINED SURFACES     | APPROVED BY:<br>T. RILEY    | DESCRIPTION<br>EXTERNAL     |
| <small>COPYRIGHT REGAL BELOITO AMERICA, INC. ALL RIGHTS RESERVED.<br/>PROPRIETARY AND CONFIDENTIAL INFORMATION - THIS DOCUMENT IS THE PROPERTY OF<br/>REGAL BELOITO AMERICA, INC. ("OWNER") AND CONTAINS OWNER'S PROPRIETARY<br/>INFORMATION. ANY PERSON, CORPORATION OR OTHER FIRM RECEIVING IT IS DEEMED<br/>BY RECEIVING IT, TO AGREE THAT IT, AND/OR ANY PART OF IT, SHALL NOT BE DISCLOSED<br/>TO ANY PERSON, CORPORATION OR OTHER ENTITY, DUPLICATED, AND/OR USED, EXCEPT<br/>AS EXPRESSLY APPROVED IN WRITING IN ADVANCE BY OWNER. THIS DOCUMENT SHALL<br/>BE RETURNED TO OWNER UPON REQUEST. IT MAY BE SUBJECT TO CERTAIN<br/>RESTRICTIONS UNDER APPLICABLE EXPORT CONTROL LAWS AND REGULATIONS.</small> |                          |                    | 4 of 4   | DATE:<br>05-25-2010         | MATERIAL                    |
|  |                          |                    | mm SHOWN IN [BRACKETS]   | REFERENCE                   | PROCESS/FINISH              |
|  |                          |                    | THIRD ANGLE<br>PROJECTION  | SIZE DWG NO<br>A 614131-111 | SHEET<br>1                  |