

# PRODUCT INFORMATION PACKET



Model No: FE1026

Catalog No: FE1026

Condenser Fan Motor, 1/4 HP, 1 Ph, 60 Hz, 208-230 V, 1075 RPM, 2 Speed, 48 Frame, TEAO



Regal and Century are trademarks of Regal Rexnord Corporation or one of its affiliated companies.

©2025 Regal Rexnord Corporation, All Rights Reserved. MC017097E





**Nameplate Specifications**

Phase	1	Output HP	1/4 Hp
Output KW	0.19 kW	Voltage	208-230 V
Speed	1075 rpm	Service Factor	1.0
Frame	48Y	Enclosure	Totally Enclosed Air Over
Thermal Protection	Automatic	Ambient Temperature	60 °C
Frequency	60 Hz	Current	1.3 A
Duty	Air Over	Insulation Class	B
UL	Recognized	CSA	Y
CE	N	Number of Speeds	2

**Technical Specifications**

Electrical Type	Permanent Split Capacitor	Starting Method	Across The Line
Poles	6	Rotation	Reversible
Mounting	Extended Studs	Motor Orientation	Any
Drive End Bearing	Ball	Opp Drive End Bearing	Ball
Frame Material	Rolled Steel	Shaft Type	Double Flat
Overall Length	10.92 in	Frame Length	3.75 in
Shaft Diameter	0.500 in	Shaft Extension	6 in
Connection Drawing	614131-109	Outline Drawing	11748-082-S01

This is an uncontrolled document once printed or downloaded and is subject to change without notice. Date Created:02/10/2025

4

3

2

1

GENERAL INFORMATION:

SHAFT RUNOUT: .001 [.03] T.I.R. PER INCH LENGTH OF EXTENSION

BEARINGS: 201 BALL

MOUNTING POSITION: ALL ANGLE

ELECTRICAL DATA:

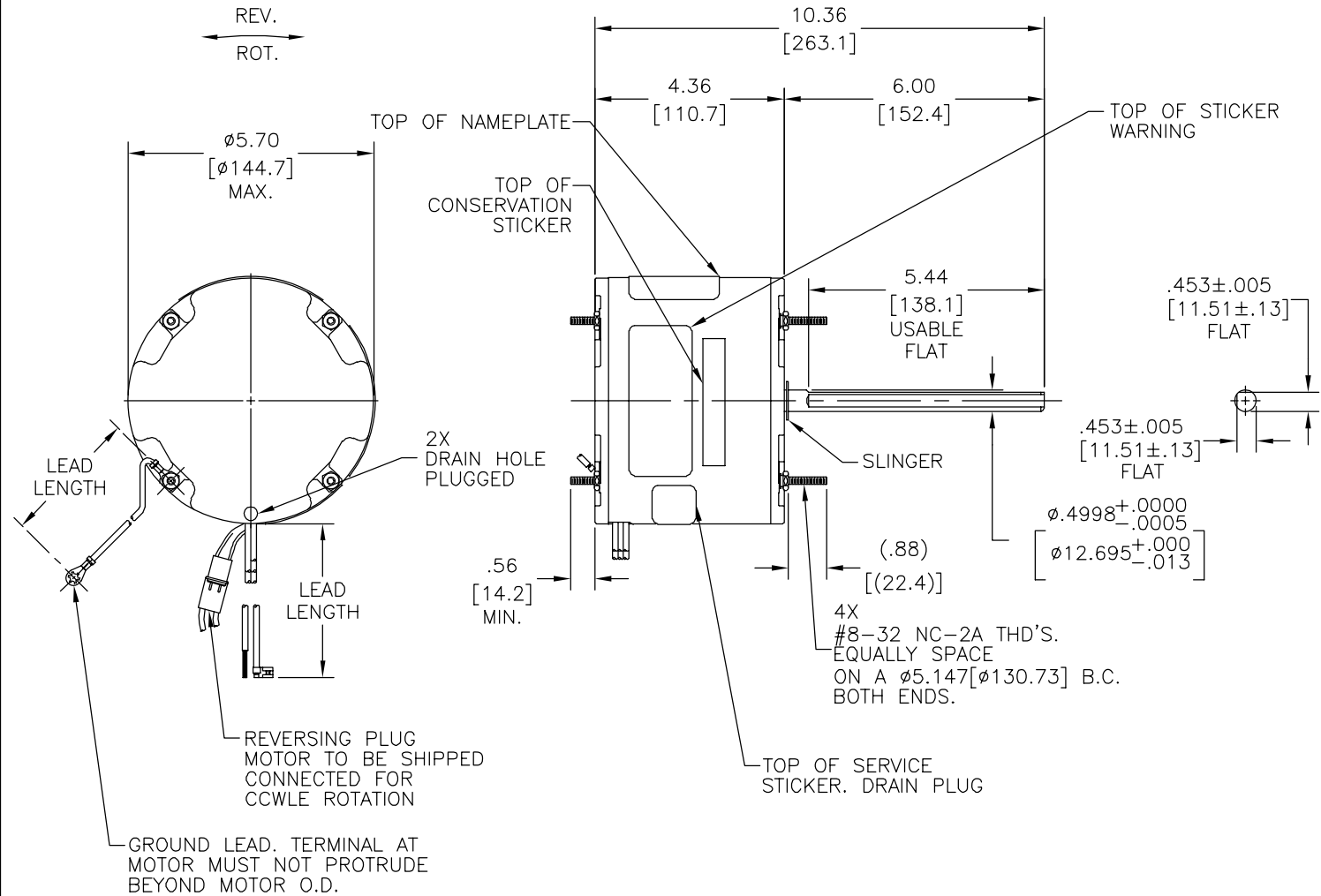
OVERLOAD PROTECTOR: AUTOMATIC RESET (T.I. 7AM 036)

LEADS: NO. 18 GA., .03[.8] THK., 125°C INSUL.

REVERSING LEADS: NO. 18 GA., .03[.8] THK., 125°C INSUL.

GROUND LEAD: NO. 18 GA., .03[.8] THK., GREEN INSUL.

REV	ECO	REV BY	DATE	APPD	DATE
E	0025547	I.MATA	04-30-2012	R.RASCON	04-30-2012



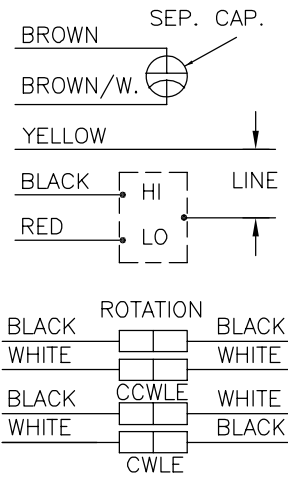
NOTES:  
1. DISTRIBUTION PART NUMBER: FE1026  
GRAINGER PART NUMBER: 4MB41

NAMEPLATE DATA:

SEE NOTE 1

EXTERNAL CONNECTION DIAGRAM

MODEL NO: F48P26A01  
CUST. P/N: [ ]  
HP: 1/4  
ROT.: REVERSIBLE  
RPM: 1075/2SPD  
TYPE: UF  
FRAME: 48Y  
VOLTS: 208-230  
PH: 1  
AMPS: 1.3 (1.8 MAX)  
HZ: 60  
INS.: B  
AMB: 60°C  
DUTY: AIR OVER  
CAP.: 5.0 MFD/370 V  
ENCL: ENCLOSED  
UL & CSA LOGO  
THERMALLY PROTECTED



614131-109

GREEN(GRD)	12/13 [305/330]	#10 EYELET
BROWN/WHITE	26/28 [660/711]	.25[6.4] FLAG
BROWN	26/28 [660/711]	.25[6.4] FLAG
YELLOW	26/28 [660/711]	.50[12.7] SKIN
BLACK	26/28 [660/711]	.50[12.7] SKIN
RED	26/28 [660/711]	.50[12.7] SKIN

MAIN FR. - OLE	ENCLOSED
END FR. - OLE	ENCLOSED WITH PLUGGED DRAIN
MAIN FR. - LE	ENCLOSED
END FR. - LE	ENCLOSED WITH PLUGGED DRAIN

PERFORMANCE CURVE NO.	TORQUE @ 1075 RPM (25°C)	APPROVED SAMPLE	UL COMPONENT FILE #	GUIDE #	CSA FILE #	GUIDE #
C22894	23.7 OZ. FT.	0041261A	E46412	PRGY2	LR43341	260-φ-0

LEAD DATA

ENCLOSURE

CUST DISTRIBUTION SERVICES

GEOMETRIC CHARACTERISTICS & SYMBOLS  
 □ FLATNESS  
 - STRAIGHTNESS  
 < ANGLARITY  
 ⊥ PERPENDICULARITY (SQUARENESS)  
 // PARALLELISM  
 ○ ROUNDNESS (CIRCULARITY)  
 ∅ CYLINDRICITY  
 △ PROFILE OF ANY SURFACE  
 ∩ PROFILE OF ANY LINE  
 ↑ RUNOUT  
 ⊕ TRUE POSITION  
 ⊙ CONCENTRICITY  
 = SYMMETRY  
 ASME Y14.5M 1994

REGAL-BELOIT CORPORATION (RBC) PROVIDES TECHNICAL ASSISTANCE TO OUR CUSTOMERS IN SEVERAL AREAS. SINCE RBC DOES NOT RECEIVE ALL DATA CONCERNING THE USE AND APPLICATION OF THE MOTOR, THE SUITABILITY OF THE MOTOR FOR THE APPLICATION MUST BE DETERMINED BY THE CUSTOMER.

DIMENSIONS WITHOUT TOLERANCES ARE FOR REFERENCE ONLY.

DR BY: D.M.JONES 03-27-2000  
 APPD: -  
 THIRD ANGLE PROJECTION  
 EDS DATE 11-11-2011  
 FORMAT REV G  
 CONFIDENTIAL: THIS DRAWING AND ITS INFORMATION ARE THE EXCLUSIVE AND CONFIDENTIAL PROPERTY OF REGAL-BELOIT CORPORATION AND ARE NOT TO BE DISCLOSED, DUPLICATED, DISTRIBUTED OR OTHERWISE USED WITHOUT THE WRITTEN CONSENT OF REGAL-BELOIT CORPORATION. -ALL RIGHTS RESERVED.



DESCRIPTION: MODEL-RFHP-48FR OUTLINE  
 SIZE C DWG NO 11748-082  
 SCALE NONE SHEET 1

4

3

2

1

4

3

2

1

INFORMACION GENERAL:

OSCILACION DE FLECHA: .001[.03] L.T.I. LONGITUD DE EXTENSION POR PULGADA

BALEROS: BALIN 201

POSICION DE MONTAJE: TODOS LOS ANGULOS

DATOS ELECTRICOS:

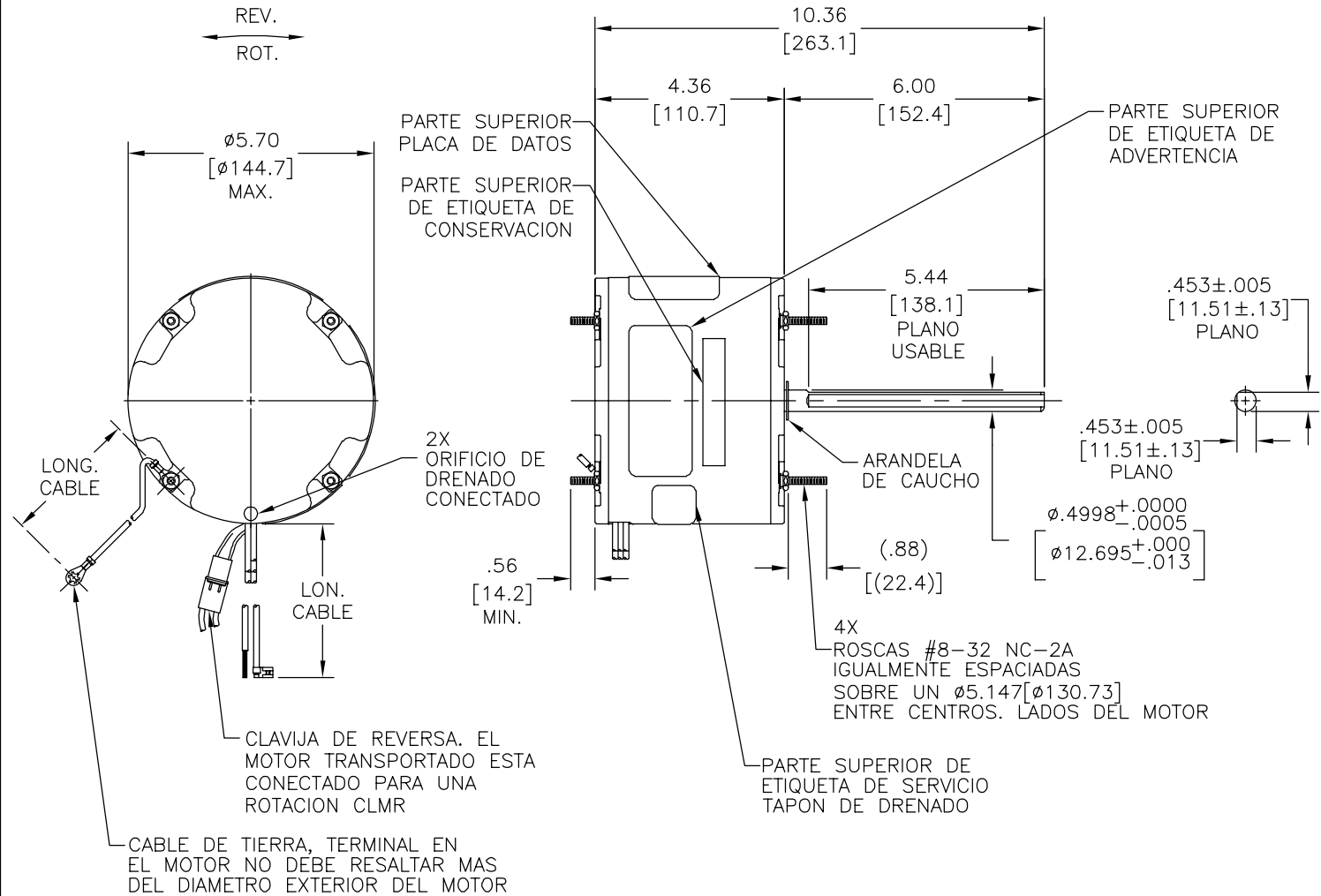
SOBRECARGA DEL PROTECTOR: REINICIO AUTOMATICO (T.I. 7AM 036)

CABLES: CAL. NO. 18, .03[.8] ESPESOR, 125°C AISLANTE

CABLES REVERSIBLES: CAL. NO. 18, .03[.8] ESPESOR, 125°C AISLANTE

CABLE DE TIERRA: CAL. NO. 18, .03[.8] ESPESOR AISLANTE VERDE

REVISION:	ECO	REVISADO POR:	FECHA:	APROBADO POR:	FECHA:
E	0025547	I.MATA	04-30-2012	R.RASCON	04-30-2012



NOTAS:  
1. NUMERO DE PARTE DE DISTRIBUCION: FE1026  
NUMERO DE PARTE GRAINGER: 4MB41

VERDE (TIERRA)	12/13 [305/330]	#10 OJILLO
CAFE/BLANCO	26/28 [660/711]	.25[6.4] BANDERA
CAFE	26/28 [660/711]	.25[6.4] BANDERA
AMARILLO	26/28 [660/711]	.50[12.7] FORRO
NEGRO	26/28 [660/711]	.50[12.7] FORRO
ROJO	26/28 [660/711]	.50[12.7] FORRO

COLOR	LONGITUD	TERMINAL O LONGITUD DE DESFORRE
VERDE (TIERRA)	12/13 [305/330]	#10 OJILLO
CAFE/BLANCO	26/28 [660/711]	.25[6.4] BANDERA
CAFE	26/28 [660/711]	.25[6.4] BANDERA
AMARILLO	26/28 [660/711]	.50[12.7] FORRO
NEGRO	26/28 [660/711]	.50[12.7] FORRO
ROJO	26/28 [660/711]	.50[12.7] FORRO

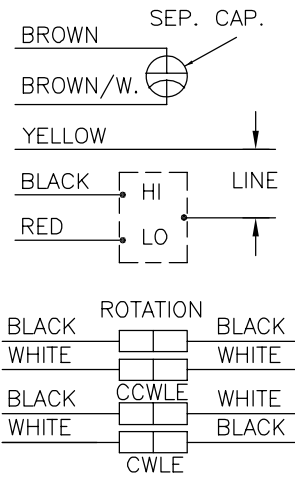
CUERPO PPAL.-OLE	CERRADO
TAPA FINAL - OLE	CERRADO CON CONEXION AL DESAGUE
CUERPO PPAL.- LE	CERRADO
TAPA FINAL - LE	CERRADO CON CONEXION AL DESAGUE

CLIENTE	DISTRIBUTION SERVICES
---------	-----------------------

INF. PLACA DE DATOS:

MODEL NO: F48P26A01  
CUST. P/N: [ ]  
HP: 1/4  
ROT.: REVERSIBLE  
RPM: 1075/2SPD  
TYPE: UF  
FRAME: 48Y  
VOLTS: 208-230  
PH: 1  
AMPS: 1.3 (1.8 MAX)  
HZ: 60  
INS.: B  
AMB: 60°C  
DUTY: AIR OVER  
CAP.: 5.0 MFD/370 V  
ENCL: ENCLOSED  
UL & CSA LOGO  
THERMALLY PROTECTED

DIAGRAMA DE CONEXION EXTERNA



614131-109

CURVAS DE FUNCIONAMIENTO	TORSION @1075 RPM (25°C)	MUESTRA APROBADA	COMPONENTE UL #ARCHIVO #CLASE	CSA #ARCHIVO #CLASE
C22894	23.7 OZ. PIE	0041261A	E46412 PRGY2	LR43341 260-Ø-0

CARACTERISTICAS DE GEOMETRIA Y SIMBOLOS  
 □ PLANICIDAD  
 - RECTITUD  
 < ANGULARIDAD  
 ⊥ PERPENDICULARIDAD (A ESCUADRA)  
 // PARALELISMO  
 ○ REDONDEZ (CIRCULARIDAD)  
 ∅ CILINDRICIDAD  
 △ PERFIL DE CUALQUIER SUPERFICIE  
 ∇ PERFIL DE CUALQUIER LINEA  
 / VARIACION  
 ⊕ POSICION REAL  
 ⊙ CONCENTRICIDAD  
 = SIMETRIA

REGAL-BELOIT CORPORATION (RBC) PROVEE ASISTENCIA TECNICA A NUESTROS CLIENTES EN VARIAS AREAS. DESDE QUE RBC NO RECIBE TODOS LOS DATOS EN RELACION AL USO Y A LA APLICACION DEL MOTOR, LA APLICACION ADECUADA DEL MOTOR DEBE SER DETERMINADA POR EL CLIENTE.

DIMENSIONES SIN TOLERANCIA SON DE REFERENCIA SOLAMENTE

ASME Y14.5M 1994

DIBUJADO POR: D.M.JONES 03-27-2000  
 APROBADO POR: -  
 TERCER ANGULO DE PROYECCION  
 FECHA EDS: 11-11-2011  
 REV. FORMATO: G  
 CONFIDENCIAL: ESTE DIBUJO Y SU INFORMACION SON PROPIEDAD DE USO EXCLUSIVO Y CONFIDENCIAL DE REGAL-BELOIT CORPORATION. Y NO DEBERAN SER REVELADOS, DUPLICADOS, DISTRIBUIDOS O USARSE DE OTRA MANERA SIN EL CONSENTIMIENTO ESCRITO DE REGAL-BELOIT CORPORATION. -TODOS LOS DERECHOS RESERVADOS.

REGAL-BELOIT CORPORATION  
 DESCRIPCION: MODEL-RFHP-48FR OUTLINE  
 TAMAÑO: C NUMERO DE DIBUJO: 11748-082  
 ESCALA: NONE HOJA: 1

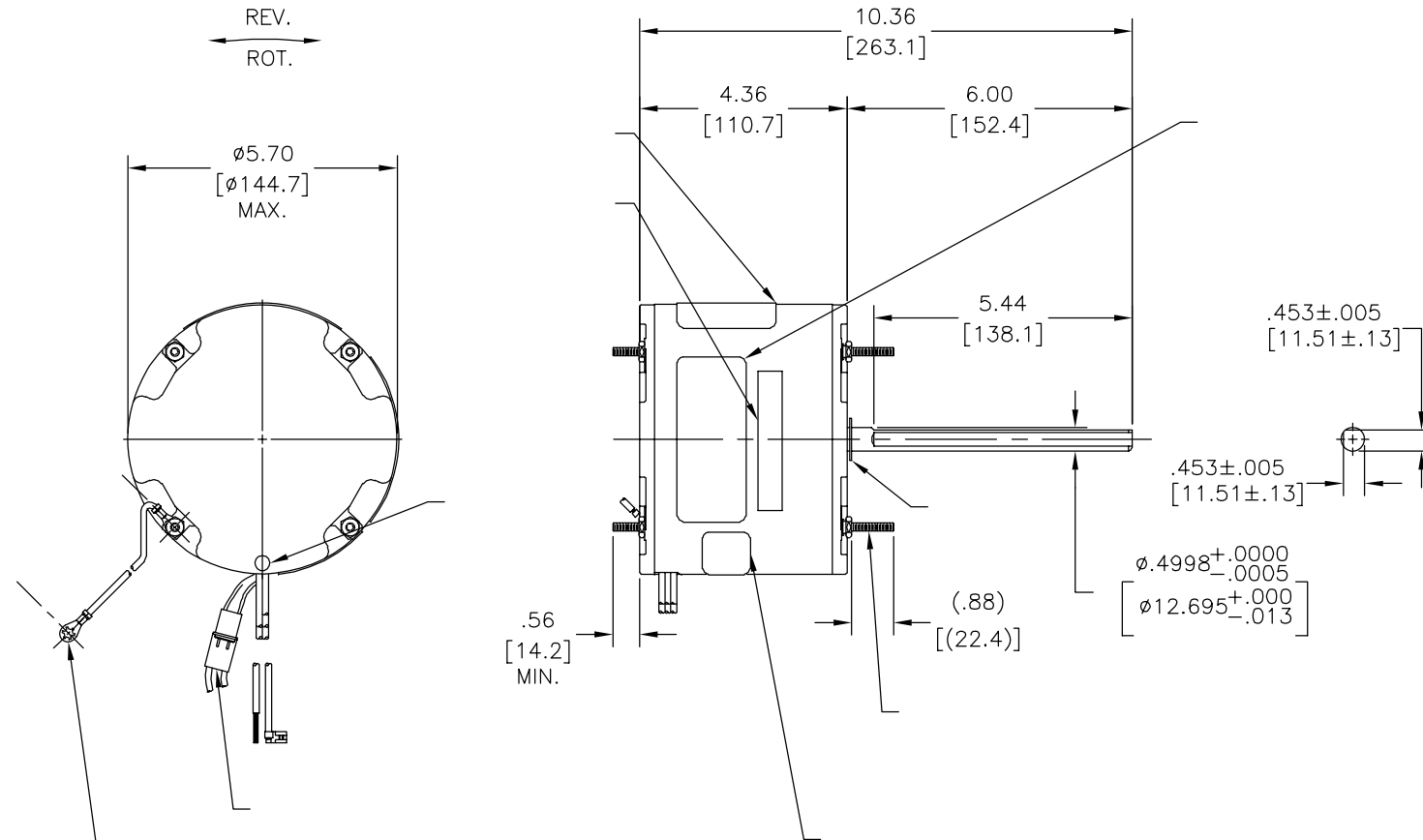
4

3

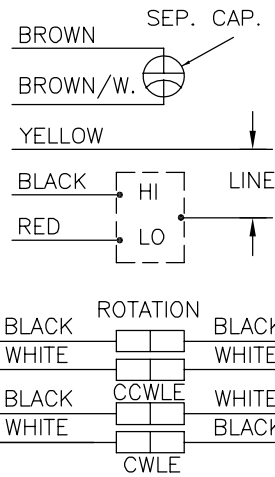
2

1

版本	ECO	编制	日期	批准	日期
E	0025547	I.MATA	04-30-2012	R.RASCON	04-30-2012



MODEL NO: F48P26A01  
 CUST. P/N: [ ]  
 HP: 1/4  
 ROT.: REVERSIBLE  
 RPM: 1075/2SPD  
 TYPE: UF  
 FRAME: 48Y  
 VOLTS: 208-230  
 PH: 1  
 AMPS: 1.3 (1.8 MAX)  
 HZ: 60  
 INS.: B  
 AMB: 60°C  
 DUTY: AIR OVER  
 CAP.: 5.0 MFD/370 V  
 ENCL: ENCLOSED  
 UL & CSA LOGO  
 THERMALLY PROTECTED



614131-109

	12/13	
	[305/330]	
	26/28	
	[660/711]	
	26/28	
	[660/711]	
	26/28	
	[660/711]	
	26/28	
	[660/711]	
	26/28	
	[660/711]	

					CSA
C22894		0041261A	E46412	PRGY2	LR43341260-0-0

- 形位公差
- 平面度
- 直线度
- ∠ 倾斜度
- ⊥ 垂直度
- // 平行度
- 圆度
- ⊘ 圆柱度
- △ 面轮廓度
- ∇ 线轮廓度
- ↗ 圆跳动
- ⊕ 位置度
- ⊙ 同轴度
- ≡ 对称度

ASME Y14.5M 1994

REGAL-BELOIT CORPORATION (RBC) 在个别领域为客户提供技术支持。鉴于RBC未收到任何涉及电机使用和应用环境的数据，电机的适用性由客户自己决定。

未注公差尺寸仅供参考。

绘图: D.M.JONES

03-27-2000

批准: -

第三角投影



图纸格式发布日期 11-11-2011  
 图纸格式版本 G

机密: 本图纸及相关信息所有权归REGAL-BELOIT CORPORATION。未经REGAL-BELOIT CORPORATION书面授权, 不得泄露、复制、传播或作其他用途。一版权所有

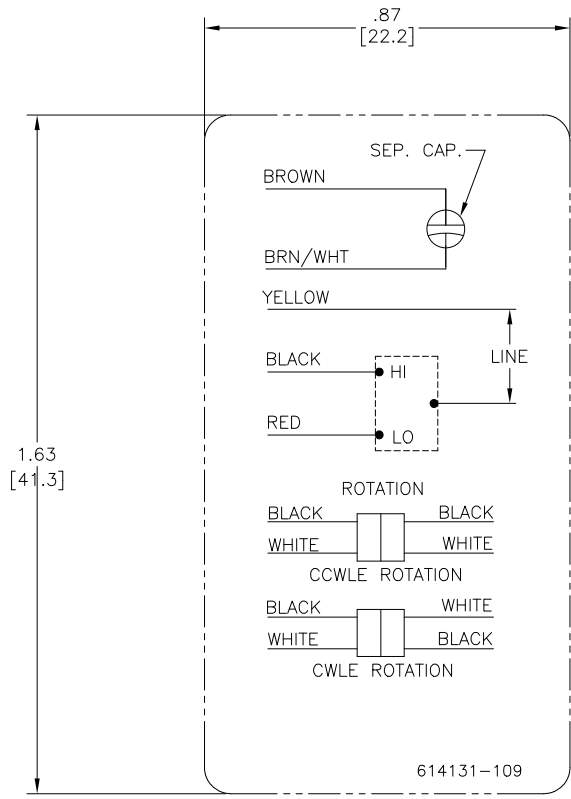


名称  
 MODEL-RFHP-48FR  
 OUTLINE

图幅 C 图号 11748-082

比例 NONE 页号 1

DISTRIBUTION SERVICES



NOTES:

1. FOR USE WITH 614129 NAMEPLATE BLANK
2. - - - - - INDICATES DIMENSION LIMITS
3. DIE TO BE MADE FROM MASTER SUPPLIED BY A. O. SMITH CORPORATION
4. DIE MUST PRODUCE A LEGIBLE IMPRESSION.

DRAWING REVISION C		REVISION BY J. RUPERT	DATE 08-24-2021	TOLERANCES UNLESS OTHERWISE SPECIFIED			DRAWN BY: CZ					
ECO NMR-0210151		APPROVED BY J. RUPERT	DATE 08-24-2021	DEC.	INCH	mm	ANGLE	DATE: 11-20-2009				
ECO DESCRIPTION REVISED FOR UP ISSUE				.X	±0.1	[±2.5]	±0.5°	APPROVED BY: TR	DESCRIPTION CONN DIAGRAM-NAMEPLATE			
<small>                 COPYRIGHT REGAL BELOIT AMERICA, INC. ALL RIGHTS RESERVED.                  PROPRIETARY AND CONFIDENTIAL INFORMATION - THIS DOCUMENT IS THE PROPERTY OF REGAL BELOIT AMERICA, INC. (OWNER) AND CONTAINS OWNER'S PROPRIETARY INFORMATION. ANY PERSON, CORPORATION OR OTHER ENTITY, DUPLICATING, AND/OR USING, EXCEPT BY RECEIVING IT, TO AGREE THAT IT, AND/OR ANY PART OF IT, SHALL NOT BE DISCLOSED TO ANY PERSON, CORPORATION OR OTHER ENTITY, DUPLICATED, AND/OR USED, EXCEPT AS EXPRESSLY APPROVED IN WRITING IN ADVANCE BY OWNER. THIS DOCUMENT SHALL BE RETURNED TO OWNER UPON REQUEST. IT MAY BE SUBJECT TO CERTAIN RESTRICTIONS UNDER APPLICABLE EXPORT CONTROL LAWS AND REGULATIONS.             </small>				.XX	±0.02	[±0.51]		DATE: 11-20-2009*	MATERIAL		PROCESS/FINISH	
				.XXX	±0.005	[±0.127]		REFERENCE	SIZE		DWG NO	SHEET
				.XXXX	±0.0005	[±0.0127]		THIRD ANGLE PROJECTION	C		614131-109	1
				REMOVE BURRS & BREAK SHARP EDGES .003/.015 [0.076/.381] X 45° CORNER FILLETS R.02 [5.1] MACHINED SURFACES .125/32 mm SHOWN IN [BRACKETS]			INCH		mm			