

PRODUCT INFORMATION PACKET



Model No: FE1076SU
Catalog No: FE1076SU

HEATMASTER® ULTRA Condenser Fan Motor, 3/4 HP, 1 Ph, 60 Hz, 230 V, 1075 RPM, 1 Speed, 48 Frame, TEAO

Operational at 208-230 V @60HZ



Regal and Century are trademarks of Regal Rexnord Corporation or one of its affiliated companies.
©2024 Regal Rexnord Corporation, All Rights Reserved. MC017097E





Nameplate Specifications

| | | | |
|---------------------|-----------|----------------|---------------------------|
| Phase | 1 | Output HP | 3/4 Hp |
| Output KW | 0.56 kW | Voltage | 230 V |
| Speed | 1075 rpm | Service Factor | 1.0 |
| Frame | 48 | Enclosure | Totally Enclosed Air Over |
| Thermal Protection | Automatic | Efficiency | 67.2 % |
| Ambient Temperature | 80 °C | Frequency | 60 Hz |
| Current | 5.1 A | Duty | Air Over |
| Insulation Class | F | UL | Recognized |
| CSA | Y | CE | N |
| Number of Speeds | 1 | | |

Technical Specifications

| | | | |
|--------------------|---------------------------|-----------------------|-----------------|
| Electrical Type | Permanent Split Capacitor | Starting Method | Across The Line |
| Poles | 6 | Rotation | Reversible |
| Mounting | Extended Studs | Motor Orientation | Any |
| Drive End Bearing | Ball | Opp Drive End Bearing | Ball |
| Frame Material | Rolled Steel | Shaft Type | Double Flat |
| Overall Length | 12.99 in | Frame Length | 5.69 in |
| Shaft Diameter | 0.500 in | Shaft Extension | 6.5 in |
| Connection Drawing | 614131-242 | Outline Drawing | FE1076SU_FA |

This is an uncontrolled document once printed or downloaded and is subject to change without notice. Date Created:12/14/2024

GENERAL INFORMATION:

SHAFT RUNOUT: .001 [.03] T.I.R. PER INCH LENGTH OF EXTENSION

BEARINGS: BALL

MOUNTING POSITION: ALL ANGLE

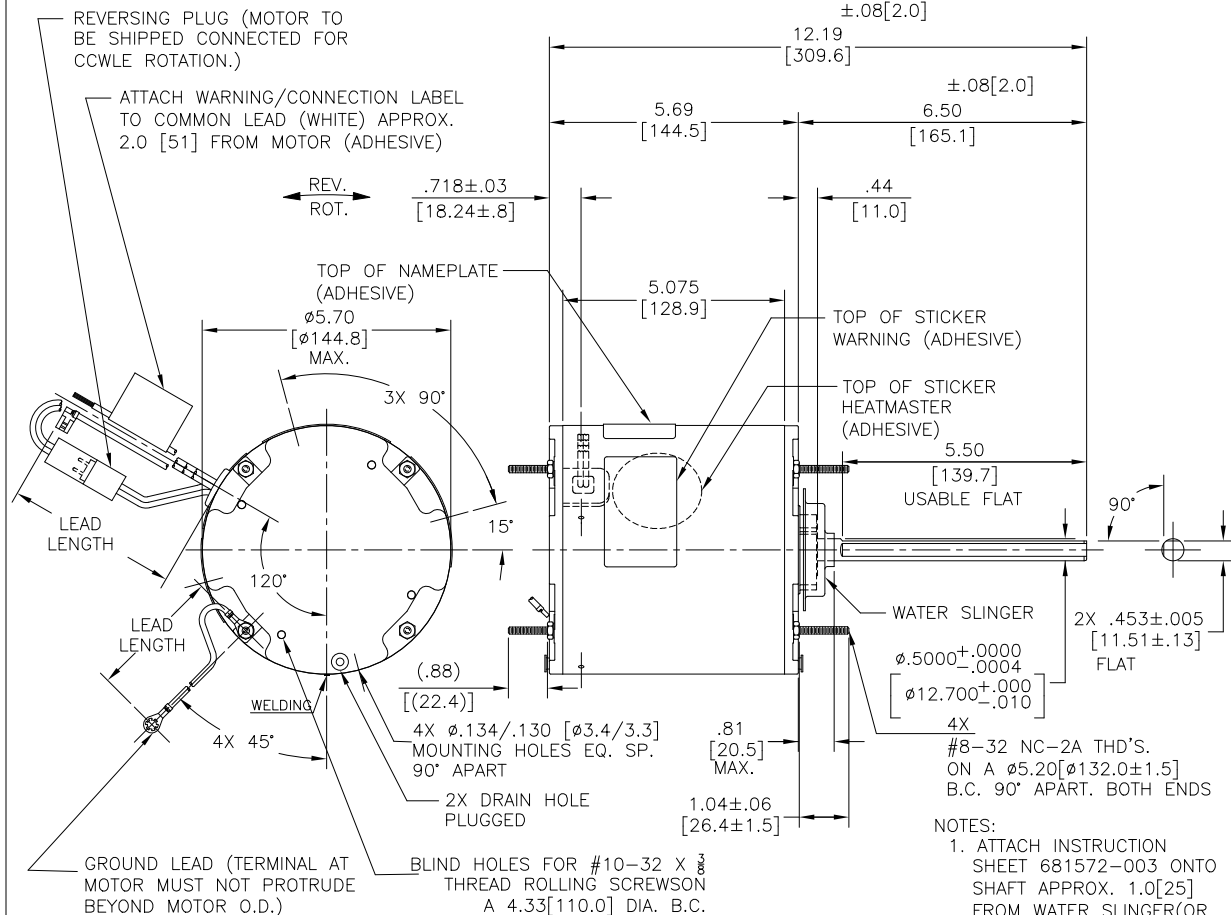
ELECTRICAL DATA:

OVERLOAD PROTECTOR: AUTOMATIC RESET (T.I. 7AM 304)

LINE LEADS: NO. 18 GA., .06 [1.5] THK. XLP 125°C INSUL.

REVERSING PLUGS: NO. 18 GA., .03 [.8] THK. XLP 125°C INSUL.

GROUND LEAD: NO. 18 GA., .03 [.8] THK. (GREEN) INSUL.



| | |
|---|--|
| REF. FE1076SF NAMEPLATE DATA: | EXTERNAL CONNECTION DIAGRAM |
| MODEL NO.: 5KCP39PGDD940S CUST. P/N: FE1076SU HP: 3/4 ROT.: REVERSIBLE RPM: 1075 TYPE: UF FRAME: 48 VOLTS: 208-230 PH: 1 AMPS: 5.1 HZ: 60 INS.: F AMB.: 80°C DUTY: AIR OVER CAP.: 15 MFD/370 V THERMALLY PROTECTED | <p>SEP. CAP.</p> <p>BROWN</p> <p>BRN/WHT</p> <p>WHITE</p> <p>BLACK</p> <p>LINE</p> <p>ROTATION</p> <p>BLACK</p> <p>WHITE</p> <p>CCWLE</p> <p>WHITE</p> <p>BLACK</p> <p>WHITE</p> <p>CWLE</p> <p>614131-242</p> |

| | | |
|----------------|-----------------------|--------------------------|
| GREEN (GROUND) | 12.0/13.0 [305/330] | #10 EYELET |
| BLACK/WHITE | 3.0/5.0 [76/127] | REVERSING PLUG |
| BROWN | 48.0/51.0 [1219/1295] | .25 [6.4] FLAG |
| BROWN/WHITE | 48.0/51.0 [1219/1295] | .25 [6.4] FLAG |
| WHITE | 48.0/51.0 [1219/1295] | .50 [12.7] SKIN |
| BLACK | 48.0/51.0 [1219/1295] | .50 [12.7] SKIN |
| COLOR | LENGTH | TERMINAL OR STRIP LENGTH |

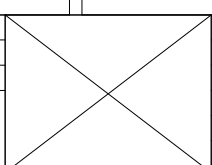
REGAL-BELOIT CORPORATION (RBC) PROVIDES TECHNICAL ASSISTANCE TO OUR CUSTOMERS IN SEVERAL AREAS. SINCE RBC DOES NOT RECEIVE ALL DATA CONCERNING THE USE AND APPLICATION OF THE MOTOR, THE SUITABILITY OF THE MOTOR FOR THE APPLICATION MUST BE DETERMINED BY THE CUSTOMER.

DIMENSIONS WITHOUT TOLERANCES ARE FOR REFERENCE ONLY.

| | |
|------------------|----------|
| MAIN FRAME - OLE | ENCLOSED |
| END FRAME - OLE | ENCLOSED |
| MAIN FRAME - LE | ENCLOSED |
| END FRAME - LE | ENCLOSED |

- NOTES:
- ATTACH INSTRUCTION SHEET 681572-003 ONTO SHAFT APPROX. 1.0[25] FROM WATER SLINGER (OR 69P9-3)
 - (4) SCREWS N194P1504B9, (4) EXTRA HEX NUTS N238P15B9 & 4x SCREW 13833003 TO BE PUT IN A POLYBAG.
 - ALL LABEL READ FROM LE
 - SPRING SHIM IN OLE SIDE

| | | |
|-------------------------------|-------------|----------|
| DRAWING REVISION | REVISION BY | DATE |
| ECO | KG | 19.11.24 |
| ECR-0238477 | APPROVED BY | DATE |
| | LS | 19.11.24 |
| ECO DESCRIPTION | | |
| CONSERVATIONIST LABEL REMOVED | | |



| | | |
|------------------------|----------|-------------------------|
| DRAWN BY: | DATE: | DESCRIPTION: |
| MK | 29.05.23 | MODEL-RFHP-48FR OUTLINE |
| APPROVED BY: | DATE: | MATERIAL: |
| LS | 29.05.23 | |
| PROCESS/FINISH: | SIZE | DWG NO |
| | C | FE1076SU_FA |
| THIRD ANGLE PROJECTION | SHEET | 1 |

CUSTOMER DISTRIBUTION SERVICE

Regal Beloit America, Inc.



NOTES:

1. FOR USE WITH 614129 NAMEPLATE BLANK
2. — — — — — INDICATES DIMENSION LIMITS
3. DIE TO BE MADE FROM MASTER SUPPLIED BY REGAL REXNORD CORPORATION
4. DIE MUST PRODUCE A LEGIBLE IMPRESSION.

| | | |
|-----------------------|--------------------------|--------------------|
| DRAWING REVISION H | REVISION BY J. RUPERT | DATE 03-16-2022 |
| ECO NMR-0213140 | APPROVED BY J. RUPERT | DATE 03-16-2022 |

ECO DESCRIPTION
REVISED FOR UP ISSUED

COPYRIGHT REGAL BELOIT AMERICA, INC. ALL RIGHTS RESERVED. PROPRIETARY AND CONFIDENTIAL INFORMATION - THIS DOCUMENT IS THE PROPERTY OF REGAL BELOIT AMERICA, INC. ("OWNER") AND CONTAINS OWNER'S PROPRIETARY INFORMATION. ANY PERSON, CORPORATION OR OTHER FIRM RECEIVING IT IS DEEMED, BY RECEIVING IT, TO AGREE THAT IT, AND/OR ANY PART OF IT, SHALL NOT BE DISCLOSED TO ANY PERSON, CORPORATION OR OTHER ENTITY, DUPLICATED, AND/OR USED, EXCEPT AS EXPRESSLY APPROVED IN WRITING IN ADVANCE BY OWNER. THIS DOCUMENT SHALL BE RETURNED TO OWNER UPON REQUEST. IT MAY BE SUBJECT TO CERTAIN RESTRICTIONS UNDER APPLICABLE EXPORT CONTROL LAWS AND REGULATIONS.

| | | | |
|---|---------|-----------|-------|
| TOLERANCES UNLESS OTHERWISE SPECIFIED | | | |
| DEC. | INCH | mm | ANGLE |
| .X | ±0.1 | [±2.5] | ±0.5° |
| .XX | ±0.02 | [±0.51] | |
| .XXX | ±0.005 | [±0.127] | |
| .XXXX | ±0.0005 | [±0.0127] | |
| REMOVE BURRS & BREAK SHARP EDGES .003/.015 [0.076/.381] X 45° | | | |
| CORNER FILLETS R.02 [.51] | | | |
| MACHINED SURFACES | | | |
| | INCH | mm | |
| | 125 | 3.2 | |
| mm SHOWN IN [BRACKETS] | | | |

| | |
|---------------------|------------------------|
| DRAWN BY: YL | THIRD ANGLE PROJECTION |
| DATE: 04-15-2011 | |
| APPROVED BY: HZ | |
| DATE: 04-15-2011 | |
| REFERENCE | |

| | |
|---|------------------|
| Regal Beloit America, Inc. | |
| DESCRIPTION CONNECTION DIAGRAM EXTERNAL | |
| MATERIAL | PROCESS/FINISH |
| SIZE A | DWG NO 4 of 4 |
| 614131-242 | |
| SHEET 1 | |